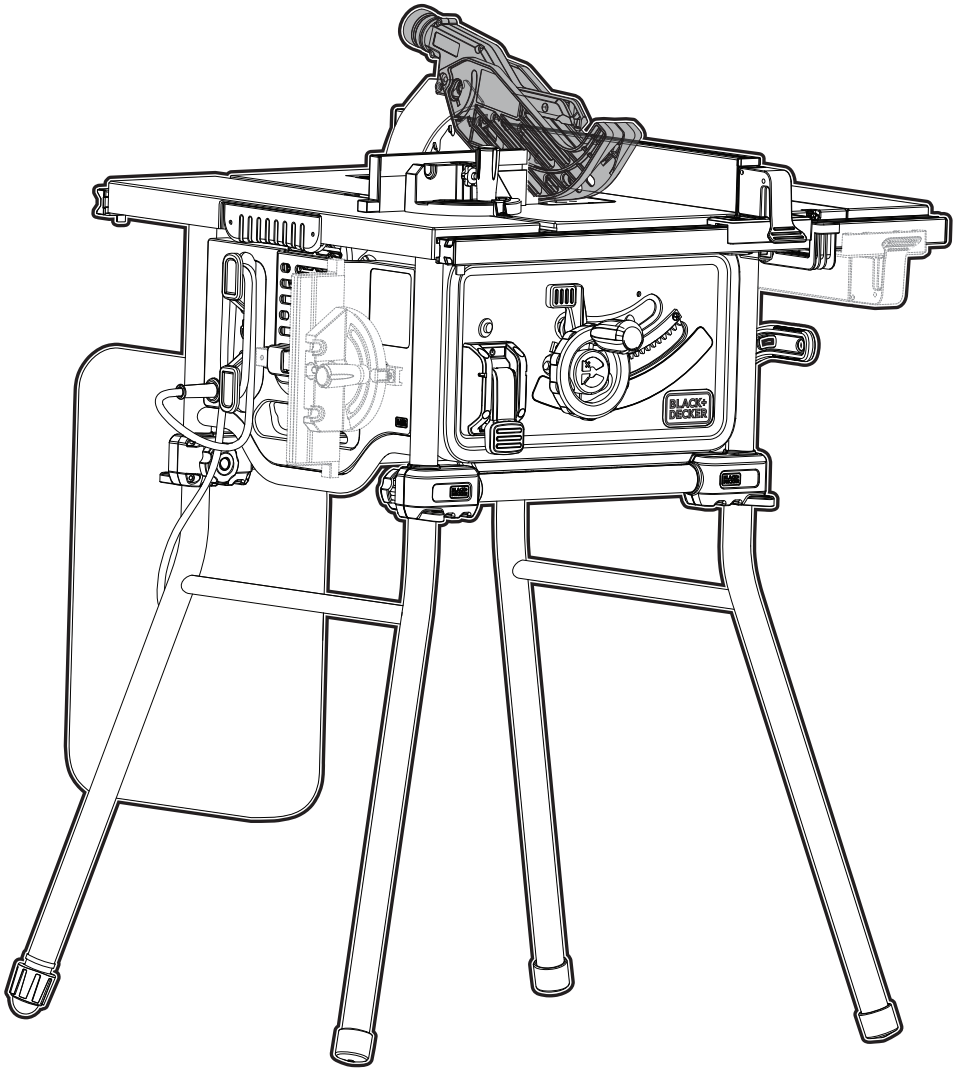


BLACK+
DECKER

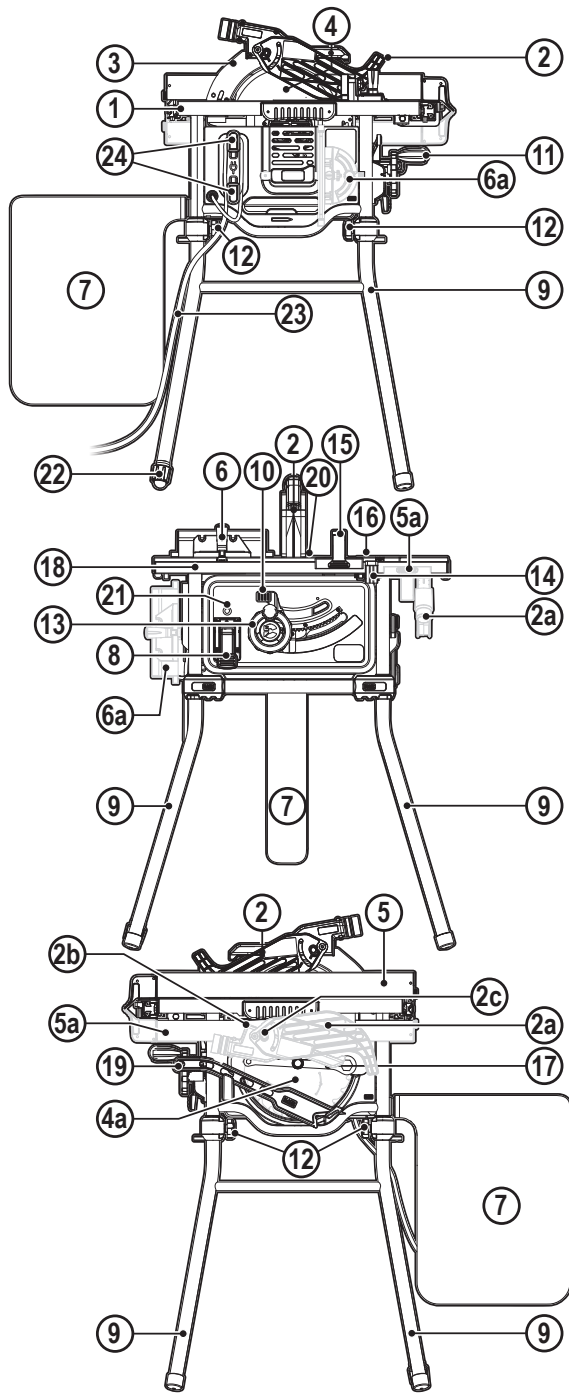
TM

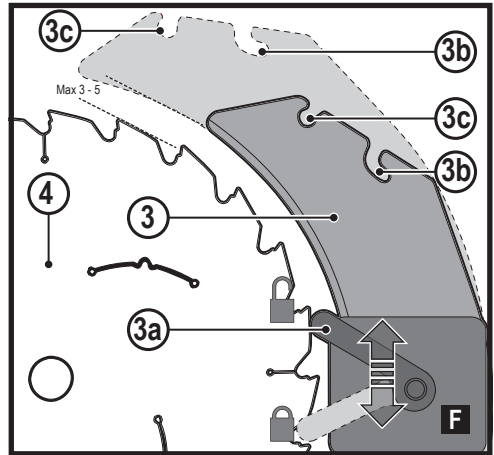
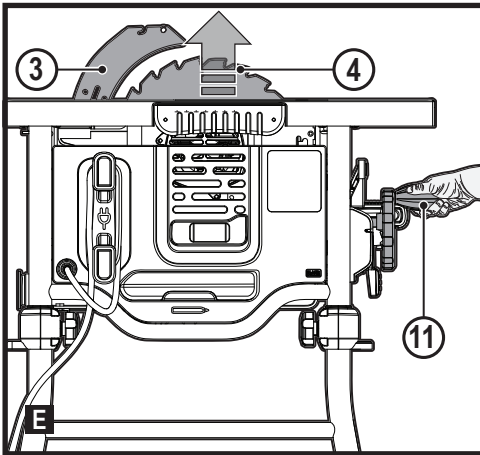
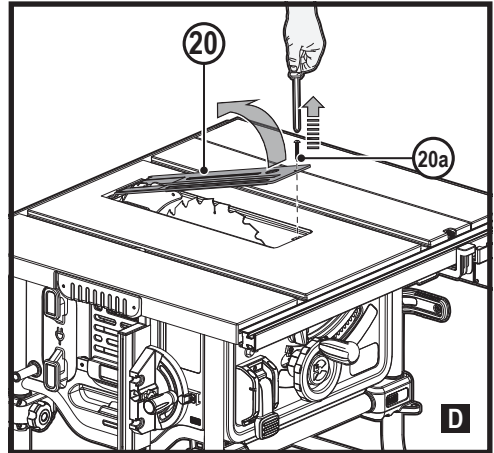
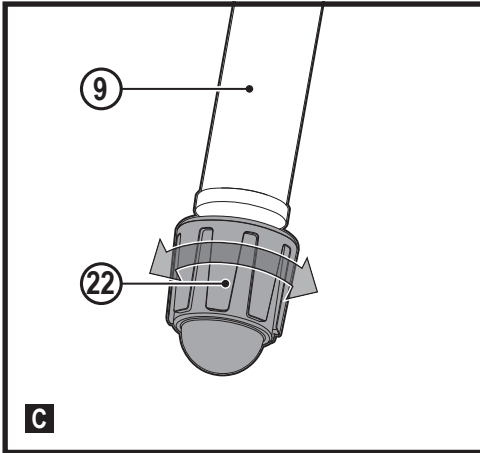
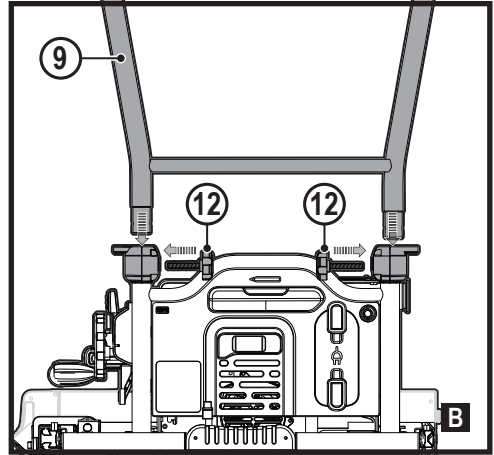
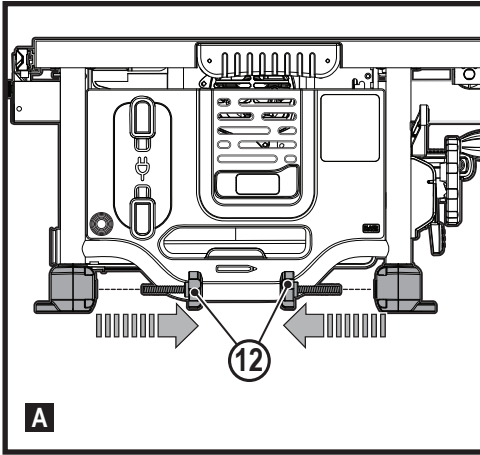


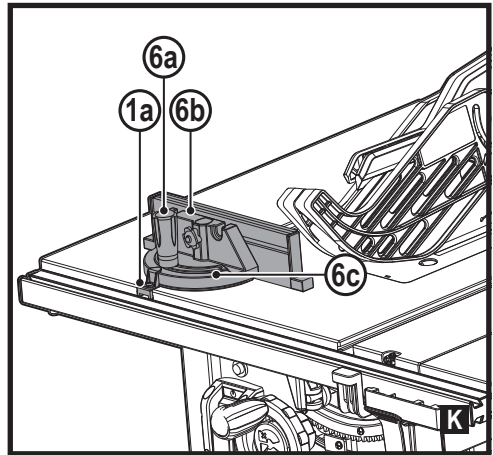
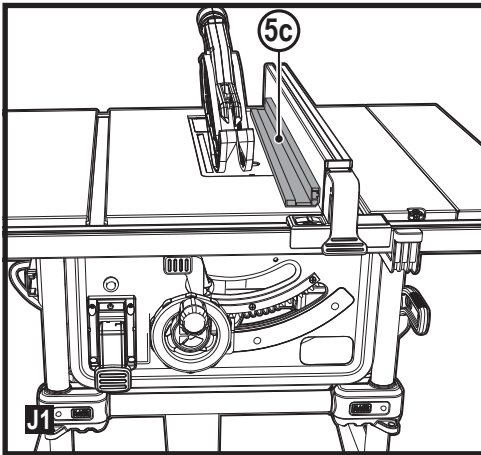
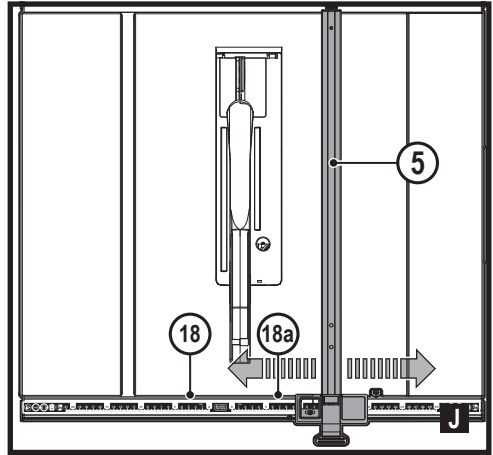
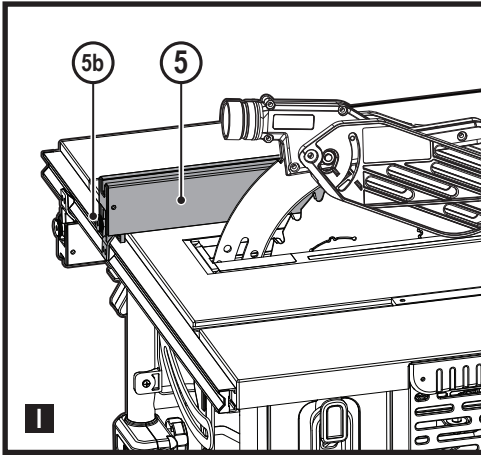
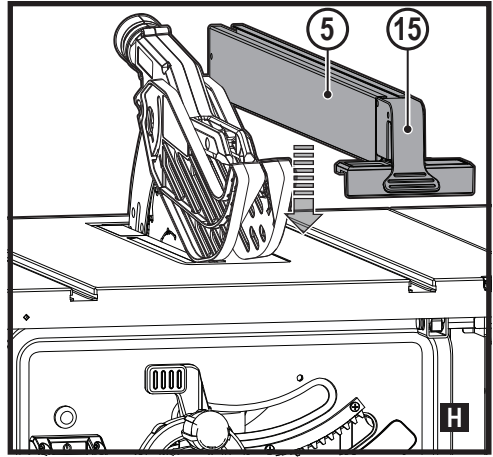
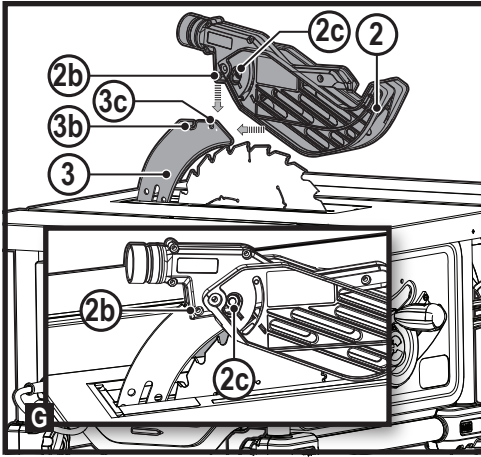
www.blackanddecker.eu

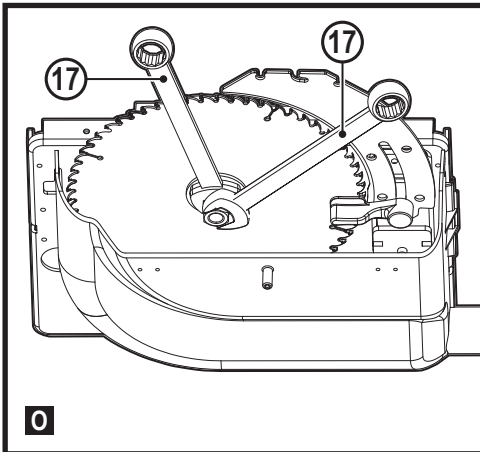
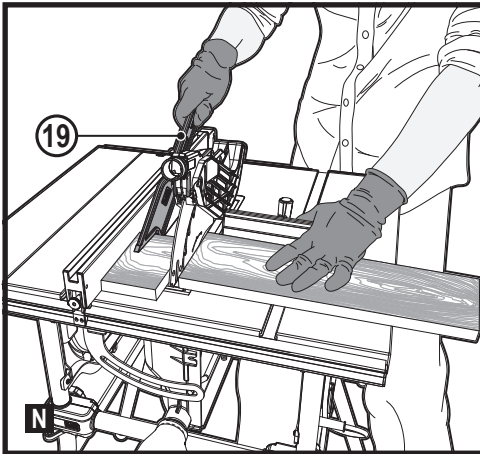
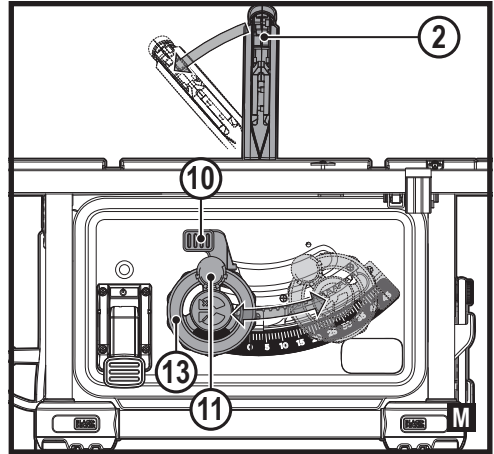
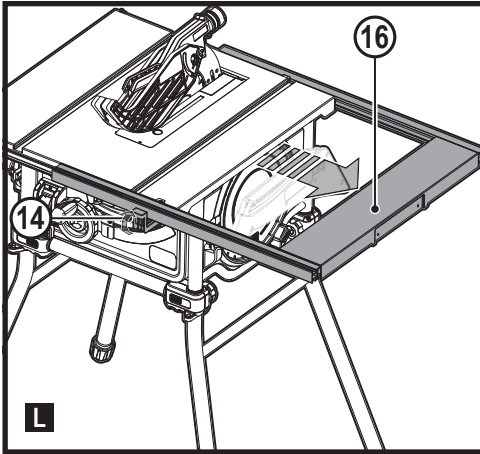
BES720

English (<i>original instructions</i>)	6
Deutsch (<i>übersetzt von den originalanweisungen</i>)	15
Français (<i>traduction de la notice d'instructions originale</i>)	26
Italiano (<i>tradotto dalle istruzioni originali</i>)	36
Nederlands (<i>vertaald vanuit de originele instructies</i>)	46
Español (<i>traducido de las instrucciones originales</i>)	56
Português (<i>traduzido das instruções originais</i>)	66
Svenska (<i>översatt från de ursprungliga instruktionerna</i>)	76
Norsk (<i>oversatt fra de originale instruksjonene</i>)	84
Dansk (<i>oversat fra original brugsvejledning</i>)	93
Suomi (<i>käännetty alkuperäisestä käyttöohjeesta</i>)	102
Ελληνικά (<i>μετάφραση από τις πρωτότυπες οδηγίες</i>)	111









Intended use

Your BLACK+DECKER BES720 table saw has been designed for the cutting and cross-cutting of all types of timber commensurate with the machine's size. This tool is intended for consumer user only.

Safety instructions

General power tool safety warnings

Warning! Read all safety warnings, instructions, illustrations and specifications provided with power tool. Failure to follow the warnings and instructions listed below may result in electric shock, fire and/or serious injury.

Save all warnings and instructions for future reference.

The term "power tool" in all of the warnings listed below refers to your mains operated (corded) power tool or battery operated (cordless) power tool.

1. **Work area safety**
 - a. **Keep work area clean and well lit.** Cluttered or dark areas invite accidents.
 - b. **Do not operate power tools in explosive atmospheres, such as in the presence of flammable liquids, gases or dust.** Power tools create sparks which may ignite the dust or fumes.
 - c. **Keep children and bystanders away while operating a power tool.** Distractions can cause you to lose control.
2. **Electrical safety**
 - a. **Power tool plugs must match the outlet. Never modify the plug in any way. Do not use any adapter plugs with earthed (grounded) power tools.** Unmodified plugs and matching outlets will reduce risk of electric shock.

- b. **Avoid body contact with earthed or grounded surfaces such as pipes, radiators, ranges and refrigerators.** There is an increased risk of electric shock if your body is earthed or grounded.
 - c. **Do not expose power tools to rain or wet conditions.** Water entering a power tool will increase the risk of electric shock.
 - d. **Do not abuse the cord. Never use the cord for carrying, pulling or unplugging the power tool. Keep cord away from heat, oil, sharp edges or moving parts.** Damaged or entangled cords increase the risk of electric shock.
 - e. **When operating a power tool outdoors, use an extension cord suitable for outdoor use.** Use of a cord suitable for outdoor use reduces the risk of electric shock.
 - f. **If operating a power tool in a damp location is unavoidable, use a residual current device (RCD) protected supply.** Use of an RCD reduces the risk of electric shock.
- 3. Personal safety**
- a. **Stay alert, watch what you are doing and use common sense when operating a power tool. Do not use a power tool while you are tired or under the influence of drugs, alcohol or medication.** A moment of inattention while operating power tools may result in serious personal injury.
 - b. **Use personal protective equipment. Always wear eye protection.** Protective equipment such as a dust mask, non-skid safety shoes, hard hat, or hearing protection used for appropriate conditions will reduce personal injuries.
 - c. **Prevent unintentional starting. Ensure the switch is in the off-position before connecting to power source and/or battery pack, picking up or carrying the tool.** Carrying power tools with your finger on the switch or energising power tools that have the switch on invites accidents.
 - d. **Remove any adjusting key or wrench before turning the power tool on.** A wrench or a key left attached to a rotating part of the power tool may result in personal injury.
 - e. **Do not overreach. Keep proper footing and balance at all times.** This enables better control of the power tool in unexpected situations.
 - f. **Dress properly. Do not wear loose clothing or jewellery. Keep hair and clothing away from moving parts.** Loose clothes, jewellery or long hair can be caught in moving parts.
 - g. **If devices are provided for the connection of dust extraction and collection facilities, ensure these are connected and properly used.** Use of dust collection can reduce dust-related hazards.
- h. **Do not let familiarity gained from frequent use of tools allow you to become complacent and ignore tool safety principles.** A careless action can cause severe injury within a fraction of a second.
- 4. Power tool use and care**
- a. **Do not force the power tool. Use the correct power tool for your application.** The correct power tool will do the job better and safer at the rate for which it was designed.
 - b. **Do not use the power tool if the switch does not turn it on and off.** Any power tool that cannot be controlled with the switch is dangerous and must be repaired.
 - c. **Disconnect the plug from the power source and/or the battery pack from the power tool before making any adjustments, changing accessories, or storing power tools.** Such preventive safety measures reduce the risk of starting the power tool accidentally.
 - d. **Store idle power tools out of the reach of children and do not allow persons unfamiliar with the power tool or these instructions to operate the power tool.** Power tools are dangerous in the hands of untrained users.
 - e. **Maintain power tools and accessories. Check for misalignment or binding of moving parts, breakage of parts and any other condition that may affect the power tools operation. If damaged, have the power tool repaired before use.** Many accidents are caused by poorly maintained power tools.
 - f. **Keep cutting tools sharp and clean.** Properly maintained cutting tools with sharp cutting edges are less likely to bind and are easier to control.
 - g. **Use the power tool, accessories and tool bits etc. in accordance with these instructions, taking into account the working conditions and the work to be performed.** Use of the power tool for operations different from those intended could result in a hazardous situation.
 - h. **Keep handles and grasping surfaces dry, clean and free from oil and grease.** Slippery handles and greasy surfaces do not allow for safe handling and control of the tool in unexpected situations.
- 5. Service**
- a. **Have your power tool serviced by a qualified repair person using only identical replacement parts.** This will ensure that the safety of the power tool is maintained.
- Safety instructions for table saws**
- 1. Guarding related warnings**
- a. **Keep guards in place. Guards must be in working order and be properly mounted.** A guard that is loose, damaged, or is not functioning correctly must be repaired or replaced.

- b. **Always use saw blade guard and riving knife for every through-cutting operation.** For through-cutting operations where the saw blade cuts completely through the thickness of the workpiece, the guard and other safety devices help reduce the risk of injury.
 - c. **Immediately reattach the guarding system after completing an operation (such as rebating, dadoing or resawing cuts) which requires removal of the guard and riving knife.** The guard and riving knife help to reduce the risk of injury.
 - d. **Make sure the saw blade is not contacting the guard, riving knife or the workpiece before the switch is turned on.** Inadvertent contact of these items with the saw blade could cause a hazardous condition.
 - e. **Adjust the riving knife as described in this instruction manual.** Incorrect spacing, positioning and alignment can make the riving knife ineffective in reducing the likelihood of kickback.
 - f. **For the riving knife to work, they must be engaged in the workpiece.** The riving knife is ineffective when cutting workpieces that are too short to be engaged with the riving knife. Under these conditions a kickback cannot be prevented by the riving knife.
 - g. **Use the appropriate saw blade for the riving knife.** For the riving knife to function properly, the saw blade diameter must match the appropriate riving knife and the body of the saw blade must be thinner than the thickness of the riving knife and the cutting width of the saw blade must be wider than the thickness of the riving knife.
- 2. Cutting procedures warnings**
- a. **DANGER: Never place your fingers or hands in the vicinity or in line with the saw blade.** A moment of inattention or a slip could direct your hand towards the saw blade and result in serious personal injury.
 - b. **Feed the workpiece into the saw blade only against the direction of rotation.** Feeding the workpiece in the same direction that the saw blade is rotating above the table may result in the workpiece, and your hand, being pulled into the saw blade.
 - c. **Never use the mitre gauge to feed the workpiece when ripping and do not use the rip fence as a length stop when cross cutting with the mitre gauge.** Guiding the workpiece with the rip fence and the mitre gauge at the same time increases the likelihood of saw blade binding and kickback.
 - d. **When ripping, always apply the workpiece feeding force between the fence and the saw blade. Use a push stick when the distance between the fence and the saw blade is less than 150 mm, and use a push block when this distance is less than 50 mm.** "Work helping" devices will keep your hand at a safe distance from the saw blade.
 - e. **Use only the push stick provided by the manufacturer or constructed in accordance with the instructions.** This push stick provides sufficient distance of the hand from the saw blade.
 - f. **Never use a damaged or cut push stick.** A damaged push stick may break causing your hand to slip into the saw blade.
 - g. **Do not perform any operation "freehand". Always use either the rip fence or the mitre gauge to position and guide the workpiece.** "Freehand" means using your hands to support or guide the workpiece, in lieu of a rip fence or mitre gauge. Freehand sawing leads to misalignment, binding and kickback.
 - h. **Never reach around or over a rotating saw blade.** Reaching for a workpiece may lead to accidental contact with the moving saw blade.
 - i. **Provide auxiliary workpiece support to the rear and/or sides of the saw table for long and/or wide workpieces to keep them level.** A long and/or wide workpiece has a tendency to pivot on the table's edge, causing loss of control, saw blade binding and kickback.
 - j. **Feed workpiece at an even pace. Do not bend or twist the workpiece. If jamming occurs, turn the tool off immediately, unplug the tool then clear the jam.** Jamming the saw blade by the workpiece can cause kickback or stall the motor.
 - k. **Do not remove pieces of cut-off material while the saw is running.** The material may become trapped between the fence or inside the saw blade guard and the saw blade pulling your fingers into the saw blade. Turn the saw off and wait until the saw blade stops before removing material.
 - l. **Use an auxiliary fence in contact with the table top when ripping workpieces less than 2 mm thick.** A thin workpiece may wedge under the rip fence and create a kickback.
- 3. Kickback causes and related warnings**
- Kickback is a sudden reaction of the workpiece due to a pinched, jammed saw blade or misaligned line of cut in the workpiece with respect to the saw blade or when a part of the workpiece binds between the saw blade and the rip fence or other fixed object.
- Most frequently during kickback, the workpiece is lifted from the table by the rear portion of the saw blade and is propelled towards the operator.
- Kickback is the result of saw misuse and/or incorrect operating procedures or conditions and can be avoided by taking proper precautions as given below.
- a. **Never stand directly in line with the saw blade. Always position your body on the same side of the saw blade as the fence.**

Kickback may propel the workpiece at high velocity towards anyone standing in front and in line with the saw blade.

- b. **Never reach over or in back of the saw blade to pull or to support the workpiece.** Accidental contact with the saw blade may occur or kickback may drag your fingers into the saw blade.
 - c. **Never hold and press the workpiece that is being cut off against the rotating saw blade.** Pressing the workpiece being cut off against the saw blade will create a binding condition and kickback.
 - d. **Align the fence to be parallel with the saw blade.** A misaligned fence will pinch the workpiece against the saw blade and create kickback.
 - e. **Use extra caution when making a cut into blind areas of assembled workpieces.** The protruding saw blade may cut objects that can cause kickback.
 - f. **Support large panels to minimise the risk of saw blade pinching and kickback.** Large panels tend to sag under their own weight. Support(s) must be placed under all portions of the panel overhanging the table top.
 - g. **Use extra caution when cutting a workpiece that is twisted, knotted, warped or does not have a straight edge to guide it with a mitre gauge or along the fence.** A warped, knotted, or twisted workpiece is unstable and causes misalignment of the kerf with the saw blade, binding and kickback.
 - h. **Never cut more than one workpiece, stacked vertically or horizontally.** The saw blade could pick up one or more pieces and cause kickback.
 - i. **When restarting the saw with the saw blade in the workpiece, centre the saw blade in the kerf so that the saw teeth are not engaged in the material.** If the saw blade binds, it may lift up the workpiece and cause kickback when the saw is restarted.
 - i. **Keep saw blades clean, sharp, and with sufficient set. Never use warped saw blades or saw blades with cracked or broken teeth.** Sharp and properly set saw blades minimise binding, stalling and kickback.
4. **Table saw operating procedure warnings**
- a. **Turn off the table saw and disconnect the power cord when removing the table insert, changing the saw blade or making adjustments to the riving knife or saw blade guard, and when the machine is left unattended.** Precautionary measures will avoid accidents.
 - b. **Never leave the table saw running unattended. Turn it off and don't leave the tool until it comes to a complete stop.** An unattended running saw is an uncontrolled hazard.
 - c. **Locate the table saw in a well-lit and level area where you can maintain good footing and balance.**

It should be installed in an area that provides enough room to easily handle the size of your workpiece.

Cramped, dark areas, and uneven slippery floors invite accidents.

- d. **Frequently clean and remove sawdust from under the saw table and/or the dust collection device.** Accumulated sawdust is combustible and may self-ignite.
- e. **The table saw must be secured.** A table saw that is not properly secured may move or tip over.
- f. **Remove tools, wood scraps, etc. from the table before the table saw is turned on.** Distraction or a potential jam can be dangerous.
- g. **Always use saw blades with correct size and shape (diamond versus round) of arbour holes.** Saw blades that do not match the mounting hardware of the saw will run off-centre, causing loss of control.
- h. **Never use damaged or incorrect saw blade mounting means such as flanges, saw blade washers, bolts or nuts.** These mounting means were specially designed for your saw, for safe operation and optimum performance.
- i. **Never stand on the table saw, do not use it as a stepping stool.** Serious injury could occur if the tool is tipped or if the cutting tool is accidentally contacted.
- j. **Make sure that the saw blade is installed to rotate in the proper direction. Do not use grinding wheels, wire brushes, or abrasive wheels on a table saw.** Improper saw blade installation or use of accessories not recommended may cause serious injury.

Additional safety instructions for table saws

- ◆ The intended use is described in this instruction manual. The use of any accessory or attachment or performance of any operation with this tool other than those recommended in this instruction manual may present a risk of personal injury and/or damage to property.
- ◆ Do not use cracked/bent/damaged/deformed saw blades.
- ◆ Do not use blades of larger or smaller diameter than recommended. For the proper blade rating refer to the technical data.



Warning! Contact with or inhalation of dusts arising from sawing applications may endanger the health of the operator and possible bystanders. Wear a dust mask specifically designed for protection against dust and fumes and ensure that persons within or entering the work area are also protected.

- ◆ Do not work with material containing asbestos. Asbestos is considered to be carcinogenic.
- ◆ Wear gloves when handling saw blades and rough material (saw blades should be carried in a holder when practicable).

- ◆ Wear hearing protection to reduce the risk of induced hearing loss.
- ◆ Consider using specially designed noise-reduction blades.
- ◆ Wear eye protection to reduce the risk of personal injury.
- ◆ Use the dust bag provided when sawing wood.
- ◆ Select the correct blade for the material to be cut.
- ◆ Do not operate the machine without the guard in position. Do not operate the machine if the guard does not function or is not maintained properly.
- ◆ Before each cut ensure that the machine is stable.
- ◆ Keep handles dry, clean and free from oil and grease.
- ◆ Keep the surrounding area of the machine well maintained and free of loose materials, e.g. chips and off-cuts.
- ◆ Ensure the machine and the work area are provided with adequate general or localised lighting.
- ◆ Do not allow untrained people to operate this machine.
- ◆ Ensure that the blade is mounted correctly before use. Make sure that the blade rotates in the correct direction. Keep the blade sharp. Follow instruction for lubricating and changing accessories.
- ◆ Ensure the speed marked on the saw blade is at least equal to the speed marked on the saw.
- ◆ Always unplug the machine before carrying out any maintenance or when changing the blade.
- ◆ Never perform any cleaning, maintenance, removal of any off-cuts or other parts of the work piece from the cutting area when the machine is running and the saw head is not in the rest position.
- ◆ Make sure all locking knobs and handles are tight before starting any operation.
- ◆ Never attempt to stop the machine in motion rapidly by jamming a tool or other means against the blade; serious accidents can be caused unintentionally in this way.
- ◆ Before using or fitting any accessory consult the instruction manual. The improper use of an accessory can cause damage.
- ◆ Never make the warning signs on the power tool unrecognisable.
- ◆ Never stand on the power tool. Serious injuries could occur when the power tool tips over or when coming in contact with the saw blade.
- ◆ Do not take hold of the saw blade after working before it has cooled. The saw blade becomes very hot while working.
- ◆ To avoid injury from materials being thrown, unplug the saw to avoid accidental starting, and then remove small materials.
- ◆ Make sure the riving knife is adjusted to the correct distance from the blade.

Warning! Always check the Riving knife is locked in position and aligned with the blade before each use and after any maintenance.

- ◆ Before use and after any maintenance the blade guard must be checked to ensure proper function. This test must be performed with the saw switched off and unplugged. If the guard fails to operate correctly, have your power tool serviced by a qualified repair agent. Call BLACK+DECKER customer services for you nearest service agent.
- ◆ **This table saw has been designed for sawing wood, plastic and nonferrous metal only.** Do not use the saw to cut other materials than those recommended by the manufacturer.
- ◆ Do not take hold of the saw blade after working before it has cooled. The saw blade becomes very hot while working.



Warning! Cutting plastics, sap coated wood, and other materials may cause melted material to accumulate on the blade tips and the body of the saw blade, increasing the risk of the blade overheating and binding while cutting.

Residual risks

The following risks are inherent to the use of saws: Even with the application of the relevant safety regulations and the implementation of safety devices, certain residual risks can not be avoided. These include:

- ◆ Injuries caused by touching any rotating/moving parts.
- ◆ Impairment of hearing.
- ◆ Risk of accidents caused by the uncovered parts of the rotating saw blade.
- ◆ Risk of injury when changing any parts, blades or accessories.
- ◆ Risk of squeezing fingers when opening the guards.
- ◆ Health hazards caused by breathing dust developed when sawing wood, especially oak, beech and MDF.
- ◆ Injuries caused by prolonged use of a tool. When using any tool for prolonged periods ensure you take regular breaks.

Noise

The declared noise emission values have been measured in accordance with a standard test method and may be used for comparing one tool with another.

The declared noise emission values may also be used in a preliminary assessment of exposure.

Warning! The noise emissions during actual use of the power tool can differ from the declared values depending on the ways in which the tool is used especially what kind of workpiece is processed.

Warning! Always wear proper personal hearing protection. Under some conditions and duration of use, noise from this product may contribute to hearing loss. Be aware of the following factors influencing exposure to noise:

- ◆ Use saw blades designed to reduce the emitted noise,
- ◆ Use only well sharpened saw blades, and
- ◆ Use specifically designed noise-reduction saw blades.

Labels on tool

The following pictograms along with the date code are shown on the tool:



Warning! To reduce the risk of injury, the user must read the instruction manual.



Wear safety glasses or goggles



Wear ear protection



Wear a dust mask



This product is not to be used by children under 16



Keep hands away from blade



Wear gloves when handling saw blades



Do not expose the appliance to rain or high humidity.



Disconnect the mains plug if the cord becomes damaged or entangled.

Caution! Read the instruction manual for the correct adjustment and locking procedure for the Guard and Riving knife.



Electrical safety



This tool is double insulated; therefore no earth wire is required. Always check that the power supply corresponds to the voltage on the rating plate.

- ◆ If the supply cord is damaged, it must be replaced by the manufacturer or an authorised Stanley FatMax Service Centre in order to avoid a hazard.

Voltage drops

Inrush currents cause short-time voltage drops. Under unfavourable power supply conditions, other equipment may be affected. If the system impedance of the power supply is lower than 0.361, disturbances are unlikely to occur.

Using an extension cable

Always use an approved extension cable suitable for the power input of this tool (see technical data). Before use, inspect the extension cable for signs of damage, wear and ageing. Replace the extension cable if damaged or defective. When using a cable reel, always unwind the cable completely. Use of an extension cable not suitable for the power input of the tool or which is damaged or defective may result in a risk of fire and electric shock.

Features

This tool includes some or all of the following features.

1. Saw table
2. Blade guard
- 2a. Blade guard storage
3. Riving knife
4. Saw blade
- 4a. Saw blade storage
5. Rip fence
- 5a. Rip fence storage
6. Mitre gauge
- 6a. Mitre gauge storage
7. Dust bag
8. On/off switch
9. Leg stand
10. Bevel adjustment locking knob
11. Blade elevation handle
12. Leg stand locking knob
13. Blade tilting wheel
14. Locking handle for extension table
15. Locking handle for rip fence
16. Extension table
17. Spanner wrench X2
18. Guide rail
19. Push stick
20. Table insert
21. Overloaded protector
22. Leg stand level adjustor
23. Power cable
24. Power cable storage tabs

Assembly

- ◆ Open the box and lift the saw out.
- ◆ Place the saw on a smooth, flat surface such as a workbench or strong table.
- ◆ The machine is delivered with the saw blade (4) set to 45 degrees. Reset to 0 degrees following the Setting the blade angle instructions below

Assembling the leg stand (Fig. A, B & C)

Note: The leg stands have been designed so they can only be assembled one way.

Ensure that the legs always slope outwards as shown on front cover and assembly drawing on page 2.

- ◆ Unscrew and remove all four leg stand locking knobs (12) as shown in figure A.
- ◆ Place the table saw upside down on a stable surface, and insert the leg stands (9) as shown in figure B. Ensure correct orientation.
- ◆ Replace the leg stand locking knobs (12) ensuring they pass through the holes on the leg stands (9) and tighten securely, as shown in figure B.
- ◆ The table saw comes with a leg stand level adjuster (22), this can be adjusted to compensate for irregular floors, as shown in figure C.

Riving knife set-up (Fig. D, E & F)

Warning! The riving knife (3) should be delivered in the correct position for through cutting. However, before first use and before connecting the machine to the power, make sure the riving knife is secure, in-line with the blade and the correct distance from the blade - see fig F. Only work with the machine if the riving knife (3) is in the upper position unless the saw is being used for slitting operations. **THE GUARD MUST BE REMOVED FOR SLITTING OPERATIONS. IMMEDIATELY RAISE THE RIVING KNIFE AND REATTACH THE GUARD AFTER COMPLETING ANY OPERATION WHICH REQUIRES REMOVAL OF THE GUARD OR LOWERING OF THE RIVING KNIFE.** Fitting the riving knife (3) in the upper position is as follows:

- ◆ Remove the securing screw (20a) on the table insert (20) and lift the table insert clear from the saw, as shown in figure D.
- ◆ Raise the saw blade and riving knife assembly by turning the blade elevation handle (11) clockwise, as shown in figure E.
- ◆ Loosen the locking handle (3a) and pull the riving knife (3) into the upper position, as shown in figure F.
- ◆ Return the locking handle (3a) to the locked position.

Warning! If the locking handle (3a) cannot be positioned in the lower quadrant locked position (Fig. F) the riving knife may not be correctly located.

Reposition the riving knife and reset the locking handle in the lower quadrant position.

Warning! The Locking Handle (3A) Must Be In The Lower Quadrant, Below Horizontal Position - See Fig F , To Be Fully Locked. Check This Carefully.

Blade guard assembly (Fig. G)

Warning! The riving knife must be locked in the upper position before fitting the guard.

The guard must not be fitted when the Riving knife is located and locked in the lower position.

- ◆ The blade guard (2) is supplied with a spring-loaded locking pin (2c) to locate and secure the guard to the riving knife (3). The guard must be fitted when making through cuts to reduce the risk of injury.
- ◆ Raise the saw blade and riving knife assembly by turning the blade elevation handle (11) anti-clockwise as shown in figure E.
- ◆ Locate the bar in the rear of the guard (2b) downwards and to the rear of the riving knife location (3b).
- ◆ Press the locking pin (2c) and lower the guard to align with the riving knife front location (3c)
- ◆ Release the locking pin and confirm the guard is secure on the riving knife.
- ◆ The operator should only be able to remove the guard from the riving knife by depressing the locking pin (2c) and then lifting the guard upwards.
- ◆ Gently tug the guard up from riving knife to ensure this is fully fitted.

Dust management

- ◆ Your saw is provided with a dust bag (7) which should be attached to the dust port on the rear of the unit (as shown on page 3) if a vacuum is not being used.
- ◆ If you wish to use a vacuum cleaner both the guard port and the rear port are suitable for 35mm nozzles. the vacuum cleaner must be suitable for the material being worked.
 - ◆ When vacuuming dry dust that is especially detrimental to health or carcinogenic, use dust class M vacuum cleaner.
 - ◆ Ensure that the dust extraction hose in use is suitable for the application and material being cut. Ensure proper hose management

Saw blade assembly/replacement (Fig. O)

Warning! Always check alignment of riving knife and functionality of guards after any maintenance.

Warning! Always check the Riving knife is locked in position and aligned with the blade before each use and after any maintenance.

The guard must be fitted when making through cuts.

Warning! Ensure the machine is disconnected from the power source. Wear safety gloves.

- ◆ Disassemble the saw blade guard (2).
- ◆ Remove the table insert (20).
- ◆ Loosen the saw blade nut by placing the spanner wrench (17) on the nut and countering with another spanner wrench (17) on the flange.

Warning! Turn the nut in the rotational direction of the saw blade.

- ◆ Remove the outer flange and take out the saw blade from the inner flange, with diagonal downward movement.

- ◆ Carefully clean the flange before fixing the new saw blade.
- ◆ Insert the new saw blade and fasten the outer flange.

Warning! The teeth of a new blade are very sharp and can be dangerous. Make sure the teeth point down at the front of the table, aligned with the arrow marked on the saw blade guard (2).

Warning! Always check alignment of riving knife and functionality of guards after any maintenance.

Warning! Always check the Riving knife is locked in position and aligned with the blade before each use and after any maintenance. The guard must be fitted when making through cuts.

On/Off switch (8)

- ◆ To switch the machine on, lift the black paddle cover and press the green start button.
- ◆ To switch the machine off, press the black paddle.

Cutting depth

Turn the blade elevation handle (11) to set the blade to the required cutting depth.

- ◆ Turn anti-clockwise; to increase the cutting depth.
- ◆ Turn Clockwise; to reduce the cutting depth.

After each new adjustment it is advisable to carry out a trial cut in order to check the set dimensions.

Note: The saw blade height is recommended about 3.2 mm above the top of the workpiece.

Rip fence assembly (Fig. H, & I)

- ◆ Fix the rip fence (5) at the back side and press the locking handle (15) downwards.
- ◆ When disassembly, pull the locking handle (15) up and remove the rip fence (5).
- ◆ The rip fence can be tightened with the rear knurled nut (5b).

Setting the cutting width (Fig. J)

The rip fence (5) is used for lengthwise cutting of material.

- ◆ Place the rip fence (5) on the guide rail (18) to the right or left of the saw blade.
- ◆ The scale on the guide rail (18) can be used to show the gap between fence rail and saw blade (4), only when the table is not in the extended position (Fig. L)
- ◆ Set the rip fence (5) to the required specification on the sight-glass and secure it with the locking handle for the rip fence (15).

Auxiliary stop (Fig. J1)

When sawing narrow workpieces and bevel angles, the auxiliary stop (5c) must be mounted to the rip fence (5) as shown in figure J1.

When sawing narrow workpieces they can become jammed between the rip fence and the saw blade, be caught by the rotation of the saw blade, and be thrown from the machine. Therefore adjust the auxiliary stop (5c) in such a manner that its guiding edge is located between the front saw blade tooth and the front end of the riving knife.

Using the mitre gauge (Fig. K)

- ◆ Push the mitre gauge into a slot (1a) on the saw table (1).
- ◆ Loosen the locking handle (6a).
- ◆ Rotate the mitre gauge (6b) until the required angle is set.
- ◆ The scale (6c) shows the set angle.
- ◆ Re-tighten the locking handle (6a).

Extension table (Fig. L)

The extension table (16) can be used for particularly wide workpieces.

- ◆ Loosen the locking handle (14) and pull out the table width extension to the required length.

Setting the blade angle (Fig. M)

Set the required bevel angle from 0 to 45 degree.

- ◆ Loosen the bevel adjustment locking knob (10).
- ◆ Push in the blade tilting wheel (13) and turn to the desired angle.
- ◆ Set up the desired angle then lock the knob (10) again.

Working instructions

After each new adjustment it is advisable to carry out a trial in order to check the set dimensions. After switching on the saw, wait for the blade to reach its maximum speed of rotation before commencing with the cut.

Secure long workpiece against falling off at the end of the cut (e.g. with a roller stand etc.) Take extra care when starting the cut!

Making longitudinal cuts

Longitudinal cutting (also known as slitting) is when you use the saw to cut along the grain of the wood. Press one edge of the workpiece against the rip fence (5) with the flat side on the saw table (1). The blade guard (2) must always be lowered over the workpiece. When you make a longitudinal cut, never adopt a working position that is in line with cutting direction.

- ◆ Switch on the saw.
- ◆ Place your hands (with fingers closed) flat on the workpiece and push the workpiece along and into the blade (4).
- ◆ Guide at the side with your left or right hand (depending on the position) only as far as the front edge of the saw blade guard (2).
- ◆ Always push the workpiece through to the end of the riving knife (3) using the push stick (19) as shown in figure N.

- ◆ The offcut piece remains on the saw table (1).
- ◆ Secure long workpiece against falling off at the end of the cut) with a roller stand etc.

Warning! Always use the push stick (19) when ripping small workpieces.

Do not cut excessively small workpieces.

Cross Cutting

- ◆ Lock the miter gauge (6) at 0 degree.
- ◆ Set the bevel angle to 0 degree.
- ◆ Adjust the saw blade (4) height.
- ◆ Hold the workpiece flat on the table (1) and against the fence. Keep the workpiece away from the blade.
- ◆ Keep both hands away from the path of the saw blade.
- ◆ Switch the machine on and allow the saw blade to reach full speed.
- ◆ Hold the workpiece tightly against the fence and slowly move the workpiece together with the fence assembly until the workpiece comes underneath the upper blade guard.
- ◆ Allow the teeth to cut, and do not force the workpiece through the saw blade. The saw blade speed should be kept constant.

After completing the cut, switch the machine off, allow the saw blade to stop and remove the workpiece.

Warning! Never push or hold the cut-off-side of the workpiece.

Blade jamming handling

- ◆ Ensure the machine is disconnected from the power source.
- ◆ Remove the workpiece. Be careful of your hands not touching the saw blade.
- ◆ Press the overloaded protector (21) and connect the plug again, the machine can resume working.

After use

- ◆ After use, wipe off chips and dust adhering to the tool with a cloth or the like.
- ◆ Lubricate the sliding portions with machine oil to prevent rust.

Protecting the environment



Separate collection. Products and batteries marked with this symbol must not be disposed of with normal household waste.

Products and batteries contain materials that can be recovered or recycled reducing the demand for raw materials. Please recycle electrical products and batteries according to local provisions. Further information is available at www.2helpU.com

Technical data

		BES720 Type 1
Voltage	V	230
Frequency	Hz	50
Power input	W	1800
No-load speed	/min	5200
Blade diameter	mm	254
Blade body thickness	mm	2.0
Allowed range of kerf width	mm	2.8
Bore size	mm	30
Riving knife thickness	mm	2.5
Max. cutting depth at 45°	mm	58
Max. cutting depth at 90°	mm	80
Blade bevel range		0 - 45°
weight	kg	27.56

Level of sound pressure according to EN 62841:	
L_{pA} (sound pressure)	95 dB(A), Uncertainty (K) 3 dB(A)
L_{WA} (sound power)	108 dB(A), Uncertainty (K) 3 dB(A)

Declaration of Conformity

The Supply of Machinery (Safety) Regulations 2008



BES720 Table Saw

Black & Decker declares that these products described under "technical data" are in compliance with:
EN62841-1:2015, EN62841-3-9:2015+A11:2017,

These products also comply with with the following regulations;

The Supply of Machinery (Safety) Regulations 2008, S.I. 2008/1597 (as amended)

Electromagnetic Compatibility Regulations 2016, S.I. 20161091 (as amended)

The Restriction of the Use of Certain Hazardous Substances in Electrical and Electronic Equipment Regulations 2012, S.I. 2012/3032 (as amended)

For more information, please contact Black & Decker at the following address or refer to the back of the manual.

The undersigned is responsible for compilation of the technical file and makes this declaration on behalf of Black & Decker.



Ed Higgins
Director – Consumer Power Tools
Black & Decker Europe, 270 Bath Road, Slough,
Berkshire, SL1 4DX
United Kingdom
21/05/2021

EC declaration of conformity

MACHINERY DIRECTIVE



BES720 Table Saw

Black & Decker declares that these products described under "technical data" are in compliance with:

EN62841-1:2015, EN62841-3-9:2015+A11:2017,

These products also comply with Directive
2006/42/EC, 2014/30/EU and 2011/65/EU.

For more information, please contact Black & Decker at the following address or refer to the back of the manual.

The undersigned is responsible for compilation of the technical file and makes this declaration on behalf of Black & Decker.



Patrick Diepenbach
General Manager, Benelux
Black and Decker,
Egide Walschaertsstraat 14-18
2800 Mechelen, Belgium
21/05/2021

Guarantee

Black & Decker is confident of the quality of its products and offers consumers a 24 month guarantee from the date of purchase. This guarantee is in addition to and in no way prejudices your statutory rights. The guarantee is valid within the territories of the Member States of the European Union and the European Free Trade Area.

To claim on the guarantee, the claim must be in accordance with Black & Decker Terms and Conditions and you will need to submit proof of purchase to the seller or an authorised repair agent. Terms and conditions of the Black & Decker 2 year guarantee and the location of your nearest authorised repair agent can be obtained on the Internet at www.2helpU.com, or by contacting your local Black & Decker office at the address indicated in this manual.

Please visit our website www.blackanddecker.eu to register your new Black & Decker product and receive updates on new products and special offers.

(Übersetzung der ursprünglichen Anweisungen)

DEUTSCH

Verwendungszweck

Ihre BLACK+DECKER Tischsäge BES720 wurde für das Schneiden und Querschneiden aller Holzarten entwickelt, die der Maschinengröße entsprechen. Dieses Gerät ist nicht für den gewerblichen Einsatz vorgesehen.

Sicherheitshinweise

Allgemeine Sicherheitswarnungen für das Gerät



Warnung! Beachten Sie alle Sicherheitshinweise, Anweisungen, Darstellungen und Daten, die Sie mit dem Gerät erhalten. Die Nichteinhaltung der folgenden Warnungen und Anweisungen kann einen elektrischen Schlag, Brand und/oder schwere Verletzungen verursachen.

Bewahren Sie alle Warnhinweise und alle Anweisungen gut auf. Der nachfolgend verwendete Begriff "Gerät" bezieht sich auf netzbetriebene Geräte (mit Netzkabel) und auf akkubetriebene Geräte (ohne Netzkabel).

1. Sicherheit im Arbeitsbereich

- a. **Halten Sie Ihren Arbeitsbereich sauber und gut ausgeleuchtet.** Unaufgeräumte oder dunkle Bereiche begünstigen Unfälle.
- b. **Betreiben Sie das Gerät nicht in Umgebungen, in denen Explosionsgefahr z. B. aufgrund von brennbaren Flüssigkeiten, Gasen oder Staub besteht.** Geräte erzeugen Funken, die den Staub oder die Dämpfe entzünden können.
- c. **Halten Sie Kinder und andere Personen während der Benutzung eines Elektrowerkzeugs fern.** Bei Ablenkung können Sie die Kontrolle verlieren.

2. Elektrische Sicherheit

- a. **Der Netzstecker des Geräts muss in die Steckdose passen. Ändern Sie niemals den Stecker in irgendeiner Form.**

- Verwenden Sie keinerlei Adapterstecker an geerdeten Elektrogeräten.** Unveränderte Stecker und passende Steckdosen mindern die Gefahr eines elektrischen Schlages.
- b. **Vermeiden Sie Körperkontakt mit geerdeten Oberflächen von Rohren, Heizungen, Herden und Kühlschränken.** Es besteht eine erhöhte Gefahr für einen elektrischen Schlag, wenn Ihr Körper geerdet ist.
 - c. **Halten Sie Geräte von Regen und Nässe fern.** Wenn Wasser in das Elektrogerät eindringt, erhöht sich die Gefahr eines elektrischen Schlages.
 - d. **Verwenden Sie das Kabel ordnungsgemäß. Verwenden Sie es niemals zum Tragen. Trennen Sie das Gerät nicht durch Ziehen am Kabel vom Netz. Halten Sie das Kabel fern von Hitze, Öl, scharfen Kanten oder beweglichen Teilen.** Beschädigte oder verhedderte Kabel erhöhen die Gefahr eines elektrischen Schlages.
 - e. **Verwenden Sie nur für den Außenbereich zugelassene Verlängerungskabel, wenn Sie mit dem Elektrowerkzeug im Freien arbeiten.** Die Verwendung von für den Außeneinsatz geeigneten Kabeln mindert die Gefahr eines elektrischen Schlages.
 - f. **Wenn das Elektrowerkzeug in einer feuchten Umgebung verwendet werden muss, schließen Sie es unbedingt an eine Steckdose mit Fehlerstromschutzschalter (FI-Schalter) an.** Ein Fehlerstromschutzschalter verringert das Risiko eines elektrischen Schlags.
3. **Sicherheit von Personen**
 - a. **Seien Sie aufmerksam, achten Sie darauf, was Sie tun, und gehen Sie sachgerecht mit einem Elektrowerkzeug um. Benutzen Sie kein Elektrowerkzeug, wenn Sie müde sind oder unter dem Einfluss von Drogen, Alkohol oder Medikamenten stehen.** Ein Moment der Unachtsamkeit beim Betrieb eines Elektrowerkzeugs kann zu schweren Verletzungen führen.
 - b. **Verwenden Sie eine geeignete Schutzausrüstung. Tragen Sie immer einen Augenschutz.** Das Tragen persönlicher Schutzausrüstung, wie Staubmaske, rutschfeste Sicherheitsschuhe, Schutzhelm oder Gehörschutz, je nach Art und Einsatz des Elektrowerkzeugs, verringert das Risiko von Verletzungen.
 - c. **Vermeiden Sie eine unbeabsichtigte Inbetriebnahme. Vergewissern Sie sich, dass das Gerät ausgeschaltet ist, bevor Sie es an eine Steckdose oder einen Akku anschließen, es hochheben oder tragen.** Wenn Sie beim Tragen des Geräts den Finger am Schalter haben oder das Gerät eingeschaltet an die Stromversorgung anschließen, kann dies zu Unfällen führen.
 - d. **Entfernen Sie Einstell- oder Schraubenschlüssel, bevor Sie das Gerät einschalten.** Werkzeuge oder Schlüssel, die an rotierenden Teilen des Elektrogerätes angebracht sind, können zu Verletzungen führen.
 - e. **Beugen Sie sich nicht zu weit nach vorne. Sorgen Sie für einen sicheren Stand und halten Sie jederzeit das Gleichgewicht.** Dadurch können Sie das Gerät in unerwarteten Situationen besser kontrollieren.
 - f. **Tragen Sie geeignete Kleidung. Tragen Sie keine weite Kleidung und keinen Schmuck. Halten Sie Haare und Kleidung von beweglichen Teilen fern.** Lose sitzende Kleidung, Schmuck oder lange Haare können sich in den beweglichen Teilen verfangen.
 - g. **Falls Vorrichtungen zum Absaugen oder Auffangen von Staub vorhanden sind, vergewissern Sie sich, dass diese angeschlossen sind und richtig verwendet werden.** Das Verwenden einer Staubauffangvorrichtung verringert Gefährdungen durch Staub.
 - h. **Vermeiden Sie, durch die häufige Nutzung des Werkzeugs in einen Trott zu verfallen und Prinzipien für die Werkzeugsicherheit zu ignorieren.** Eine unachtsame Aktion kann im Bruchteil einer Sekunde zu schweren Verletzungen führen.
 4. **Gebrauch und Pflege von Geräten**
 - a. **Überlasten Sie das Gerät nicht. Verwenden Sie das für Ihre Arbeit passende Gerät.** Das richtige Gerät wird die Aufgabe besser und sicherer erledigen, wenn es bestimmungsgemäß verwendet wird.
 - b. **Verwenden Sie das Gerät nicht, wenn der Ein-/Ausschalter nicht funktioniert.** Ein Gerät, das sich nicht mehr ein- oder ausschalten lässt, ist gefährlich und muss repariert werden.
 - c. **Ziehen Sie den Stecker aus der Steckdose, oder trennen Sie das Gerät vom Akku, bevor Sie Einstellungen vornehmen, Zubehörteile wechseln oder das Gerät lagern.** Diese Vorbeugemaßnahmen mindern die Gefahr, dass das Elektrogerät unbeabsichtigt startet.
 - d. **Bewahren Sie unbenutzte Geräte außerhalb der Reichweite von Kindern auf. Lassen Sie Geräte nicht von Personen benutzen, die damit nicht vertraut sind oder diese Anweisungen nicht gelesen haben.** Geräte sind in den Händen nicht geschulter Personen gefährlich.
 - e. **Halten Sie das Gerät und sein Zubehör in einem einwandfreien Zustand. Kontrollieren Sie, ob bewegliche Teile falsch ausgerichtet sind oder klemmen und ob Teile gebrochen oder so beschädigt sind, dass die Funktion des Geräts beeinträchtigt ist. Bei Beschädigungen lassen Sie das Gerät reparieren, bevor Sie es verwenden.** Viele Unfälle entstehen wegen mangelnder Wartung der Geräte.

- f. **Halten Sie Schneidgeräte scharf und sauber.** Richtig gewartete Schneidwerkzeuge mit scharfen Klingen blockieren seltener und sind leichter unter Kontrolle zu halten.
- g. **Benutzen Sie Elektrowerkzeuge, Zubehör, Werkzeugsitzen und Ähnliches in Übereinstimmung mit diesen Anweisungen und auf die für das jeweilige Elektrowerkzeug bestimmungsgemäße Weise und beachten Sie dabei die jeweiligen Arbeitsbedingungen und die Art der auszuführenden Arbeiten.** Der Gebrauch von Elektrowerkzeugen für andere als die vorgesehenen Zwecke kann zu gefährlichen Situationen führen.
- h. **Halten Sie die Griffe trocken, sauber und frei von Öl und Fett.** Rutschige Griffe und fettige Oberflächen unterbinden die sichere Bedienbarkeit und Kontrolle über das Werkzeug in unerwarteten Situationen.
5. **Service**
- a. **Lassen Sie Ihr Elektrowerkzeug nur von qualifiziertem Fachpersonal und nur mit Original-Ersatzteilen reparieren.** Damit wird sichergestellt, dass die Sicherheit des Geräts erhalten bleibt.

Sicherheitshinweise für Tischsägen

1. **Hinweise zu Schutzvorrichtungen**
- a. **Lassen Sie Schutzvorrichtungen angebracht. Schutzvorrichtungen müssen funktionsfähig und ordnungsgemäß montiert sein.** Lose, beschädigte oder nicht ordnungsgemäß funktionierende Schutzvorrichtungen müssen repariert oder ausgetauscht werden.
- b. **Verwenden Sie für jeden Durchschneidvorgang immer einen Sägeblattschutz und einen Spaltkeil.** Bei Durchschneidvorgängen, bei denen das Sägeblatt die Dicke des Werkstücks vollständig durchschneidet, reduzieren die Schutzvorrichtung und andere Sicherheitsvorrichtungen das Verletzungsrisiko.
- c. **Bringen Sie die Schutzvorrichtung sofort wieder an, nachdem Sie einen Vorgang (z. B. Falzen, Nuten oder erneutes Sägen von Schnitten) durchgeführt haben, bei dem die Schutzvorrichtung und der Spaltkeil entfernt werden müssen.** Die Schutzvorrichtung und der Spaltkeil reduzieren die Verletzungsgefahr.
- d. **Stellen Sie vor dem Einschalten des Schalters sicher, dass das Sägeblatt nicht die Schutzvorrichtung, den Spaltkeil oder das Werkstück berührt.** Ein versehentlicher Kontakt dieser Gegenstände mit dem Sägeblatt kann eine Gefahrensituation hervorrufen.
- e. **Stellen Sie den Spaltkeil gemäß der Beschreibung in dieser Bedienungsanleitung ein.** Falsche Abstände und Ausrichtungen können die Wahrscheinlichkeit reduzieren, dass der Spaltkeil einen Rückschlag verhindert.
- f. **Damit der Spaltkeil richtig funktioniert, muss er in das Werkstück eingreifen.** Der Spaltkeil ist unwirksam, wenn Werkstücke geschnitten werden, die zu kurz sind, als dass der Spaltkeil in sie eingreifen kann. Unter solchen Bedingungen kann ein Rückschlag nicht durch den Spaltkeil verhindert werden.
- g. **Verwenden Sie das für den Spaltkeil geeignete Sägeblatt.** Damit der Spaltkeil ordnungsgemäß funktioniert, muss der Sägeblattdurchmesser zum jeweiligen Spaltkeil passen, der Sägeblattkörper muss dünner als der Spaltkeil sein und die Schnittbreite des Sägeblatts muss größer als die Spaltkeilstärke sein.
2. **Hinweise zum Vorgehen beim Sägen**
- a. **GEFAHR: Platzieren Sie niemals Ihre Finger oder Hände in der Nähe des Sägeblatts oder in einer Linie damit.** Durch einen Moment der Unachtsamkeit oder Abrutschen kann Ihre Hand auf das Sägeblatt gelangen, was zu schweren Verletzungen führen kann.
- b. **Führen Sie das Werkstück nur entgegen der Rotationsrichtung in das Sägeblatt ein.** Wenn Sie das Werkstück in die gleiche Richtung bewegen, in der sich das Sägeblatt über dem Tisch dreht, können das Werkstück und Ihre Hand in das Sägeblatt gezogen werden.
- c. **Verwenden Sie zum Vorschieben des Werkstücks niemals die Gehrungslehre, und verwenden Sie den Parallelanschlag nicht als Längenschneider, wenn Sie mit der Gehrungslehre Querschnitte durchführen.** Das gleichzeitige Führen des Werkstücks mit dem Parallelanschlag und der Gehrungslehre erhöht die Wahrscheinlichkeit, dass das Sägeblatt stecken bleibt und es zu einem Rückschlag kommt.
- d. **Verwenden Sie beim Längsschneiden die Kraft zum Vorschieben des Werkstücks immer auf dem Bereich zwischen dem Anschlag und dem Sägeblatt an. Verwenden Sie einen Schiebstock, wenn der Abstand zwischen dem Anschlag und dem Sägeblatt weniger als 150 mm beträgt, und verwenden Sie einen Schiebblock, wenn dieser Abstand weniger als 50 mm beträgt.** Geräte, die als „Arbeitshilfe“ dienen, halten Ihre Hand in sicherem Abstand vom Sägeblatt.
- e. **Verwenden Sie nur den vom Hersteller gelieferten oder einen gemäß den Anweisungen konstruierten Schiebstock.** Dieser Schiebstock sorgt für ausreichenden Abstand der Hand vom Sägeblatt.
- f. **Verwenden Sie niemals einen Schiebstock, der Beschädigungen oder Schnitte aufweist.** Ein beschädigter Schiebstock kann durchbrechen, wodurch Ihre Hand in das Sägeblatt gelangen kann.
- g. **Führen Sie keine „Freihandarbeiten“ durch.**

Verwenden Sie immer den Parallelanschlag oder die Gehrungslehre, um Werkstücke zu positionieren und zu führen. „Freihandarbeiten“ bedeutet, dass Sie das Werkstück statt mit Parallelanschlägen oder einer Gehrungslehre mit den Händen stützen oder führen. Freihändiges Sägen führt zu Fehlausrichtung, Blockierungen und Rückschlageffekten.

- h. **Greifen Sie niemals um oder über ein rotierendes Sägeblatt.** Das Greifen nach einem Werkstück kann zu einem versehentlichen Kontakt mit dem rotierenden Sägeblatt führen.
- i. **Stellen Sie für lange und/oder breite Werkstücke eine Hilfswerkzeugstütze an der Rückseite und/oder an den Seiten des Sägeblattes bereit, damit die Werkstücke beim Sägen auf einer Ebene bleiben.** Lange und/oder breite Werkstücke neigen dazu, an der Tischkante zu auf und ab zu schwingen, was zu Kontrollverlust, Blockierungen und Rückschlag des Sägeblatts führt.
- j. **Schieben Sie das Werkstück immer gleichmäßig vorwärts. Verbiegen oder verdrehen Sie das Werkstück nicht. Wenn das Werkstück stecken bleibt, schalten Sie die Säge sofort aus, ziehen Sie den Stecker heraus und beseitigen Sie das Problem.** Ein am Sägeblatt stecken bleibendes Werkstück kann einen Rückschlag oder ein Stehenbleiben des Motors verursachen.
- k. **Entfernen Sie keine abgeschnittenen Stücke, wenn die Säge noch läuft.** Solche Stücke können sich zwischen dem Anschlag oder im Sägeblattschutz verfangen und das Sägeblatt kann Ihre Finger in das Sägeblatt ziehen. Schalten Sie die Säge ab und warten Sie, bis das Sägeblatt stehen geblieben ist, bevor Sie Werkstücke entfernen.
- l. **Verwenden Sie einen Hilfsanschlag, der Kontakt mit der Tischplatte hat, wenn Sie Längsschnitte an Werkstücken mit einer Dicke von weniger als 2 mm vornehmen.** Ein dünnes Werkstück kann sich unter dem Parallelanschlag verkeilen und einen Rückschlag verursachen.

3. Rückschlagursachen und damit verbundene Sicherheitshinweise

Ein Rückschlag ist die plötzliche Reaktion eines Werkstücks auf ein eingeklemmtes, blockiertes oder falsch ausgerichtetes Sägeblatt oder auf eine falsch ausgerichtete Schnittlinie in dem Werkstück in Bezug auf das Sägeblatt. Oder er entsteht, wenn ein Teil des Werkstücks zwischen dem Sägeblatt und dem Parallelanschlag oder einem anderen festen Objekt stecken bleibt.

Am häufigsten wird bei einem Rückschlag das Werkstück vom hinteren Teil des Sägeblatts vom Tisch abgehoben und mit Kraft in Richtung des Bedieners bewegt.

Ein Rückschlag ist das Resultat eines Missbrauchs und/oder einer falschen Bedienung der Säge oder falscher Bedingungen und kann durch die entsprechenden unten angegebenen Vorsichtsmaßnahmen vermieden werden.

- a. **Stellen Sie sich niemals in direkter Linie mit dem Sägeblatt hin. Positionieren Sie Ihren Körper immer auf derselben Seite des Sägeblatts wie der Anschlag.** Ein Rückschlag kann das Werkstück mit hoher Geschwindigkeit auf Personen bewegen, die vor dem Sägeblatt und in einer Linie damit stehen.
- b. **Greifen Sie niemals über oder hinter das Sägeblatt, um am Werkstück zu ziehen oder es abzustützen.** Dabei könnte ein versehentlicher Kontakt mit dem Sägeblatt auftreten oder durch einen Rückschlag können Ihre Finger in das Sägeblatt gezogen werden.
- c. **Halten Sie das zu schneidende Werkstück niemals gegen das rotierende Sägeblatt.** Wenn Sie das Werkstück, das gerade geschnitten wird, gegen das Sägeblatt drücken, kann es blockieren und es kann zu einem Rückschlag kommen.
- d. **Richten Sie den Anschlag so aus, dass er parallel zum Sägeblatt liegt.** Ein falsch ausgerichteter Anschlag klemmt das Werkstück gegen das Sägeblatt und kann einen Rückschlag erzeugen.
- e. **Gehen Sie besonders vorsichtig vor, wenn ein Schnitt in blinde Bereiche verbundener Werkstücke durchgeführt wird.** Das hervorstehende Sägeblatt kann Gegenstände durchtrennen und zu Rückschlägen führen.
- f. **Stützen Sie große Platten ab, damit das Sägeblatt nicht eingeklemmt wird und kein Rückschlag entsteht.** Große Platten neigen zum Durchbiegen unter ihrem eigenen Gewicht. Es müssen unter allen Teilen der Platte Stützen angebracht werden, die über die Tischplatte hinausragen.
- g. **Seien Sie besonders vorsichtig, wenn Sie ein Werkstück schneiden, das verzogen oder verformt ist, Knoten aufweist oder keine gerade Kante hat, an der es mit einer Gehrungslehre oder einem Anschlag zu geführt werden kann.** Ein Werkstück, das verzogen oder verformt ist oder Knoten aufweist, ist instabil und kann eine Fehlausrichtung der Schnittfuge mit dem Sägeblatt, Blockierungen und Rückschlageffekte verursachen.
- h. **Schneiden Sie niemals mehrere Werkstücke, die vertikal oder horizontal gestapelt sind.** Das Sägeblatt könnte sonst ein oder mehrere Stücke aufnehmen und einen Rückschlag verursachen.
- i. **Wenn Sie die Säge wieder einschalten, wenn das Sägeblatt noch im Werkstück steckt, zentrieren Sie das Sägeblatt so im Sägeschlitz, dass die Sägezähne nicht im Werkstück stecken.** Wenn das Sägeblatt klemmt, kann es beim erneuten Einschalten das Werkstück nach oben heben, oder es kann zu einem Rückschlag kommen.

- i. **Halten Sie die Sägeblätter sauber, scharf und richtig eingestellt. Verwenden Sie niemals verzogene Sägeblätter oder solche mit gerissenen oder gebrochenen Zähnen.** Scharfe und richtig eingestellte Sägeblätter minimieren Effekte wie Blockierungen, Steckenbleiben und Rückschläge.
4. **Warnhinweise zur Bedienung der Tischsäge**
- a. **Schalten Sie die Tischsäge aus und ziehen Sie das Netzkabel ab, wenn Sie den Tischeinsatz entfernen, das Sägeblatt wechseln oder den Spaltkeil oder den Sägeblattschutz einstellen und wenn Sie die Maschine unbeaufsichtigt lassen.** Solche Vorsichtsmaßnahmen verhindern Unfälle.
- b. **Lassen Sie die Tischsäge niemals unbeaufsichtigt laufen. Schalten Sie das Gerät aus und gehen Sie erst von ihm weg, wenn es vollständig zum Stillstand gekommen ist.** Eine unbeaufsichtigt laufende Säge stellt eine unkontrollierte Gefahr dar.
- c. **Stellen Sie die Tischsäge in einem gut beleuchteten und ebenen Bereich auf, der Ihnen einen guten Stand und Gleichgewicht bietet. Sie sollte in einem Bereich aufgestellt werden, in dem ausreichend Platz für die Größe Ihrer Werkstücke ist.** Enge, dunkle Bereiche und unebene, rutschige Böden können zu Unfällen führen.
- d. **Entfernen Sie häufig das Sägemehl, das sich unter dem Sägertisch und/oder in der Staubsammelvorrichtung ansammelt.** Angesammeltes Sägemehl ist leicht brennbar und könnte sich auch selbst entzünden.
- e. **Die Tischsäge muss sicher befestigt werden.** Eine nicht ordnungsgemäß befestigte Tischsäge kann sich bewegen oder umkippen.
- f. **Entfernen Sie Werkzeuge, Holzreste usw. vom Tisch, bevor Sie die Tischsäge einschalten.** Durch solche Dinge abgelenkte oder steckenbleibende Werkstücke können gefährlich sein.
- g. **Verwenden Sie stets Sägeblätter der richtigen Größe und Form (Diamant kontra rund) der Wellenbohrungen.** Sägeblätter, die nicht zu den Befestigungsteilen der Säge passen, laufen exzentrisch, was zu einem Kontrollverlust führt.
- h. **Verwenden Sie niemals beschädigte oder falsche Befestigungsteile für das Sägeblatt wie Flansche, Unterlegscheiben, Schrauben oder Muttern.** Die Befestigungsteile wurden speziell für Ihre Säge konstruiert, so dass eine optimale Leistung und Betriebssicherheit erzielt wird.
- i. **Stellen Sie sich niemals auf die Tischsäge und verwenden Sie sie nicht als Tritthocker.** Es kann zu schweren Verletzungen kommen, wenn das Werkzeug umkippt oder das Schneidwerkzeug versehentlich berührt wird.

- j. **Achten Sie darauf, das Sägeblatt so zu installieren, dass es sich in die richtige Richtung dreht. Verwenden Sie zusammen mit einer Tischsäge keine Schleifscheiben, Drahtbürsten oder Schleifscheiben.** Unsachgemäße Installation des Sägeblatts oder die Verwendung von nicht empfohlenem Zubehör kann zu schweren Verletzungen führen.

Zusätzliche Sicherheitshinweise für Tischsägen

- ◆ Die bestimmungsgemäße Verwendung ist in dieser Betriebsanleitung beschrieben. Die Verwendung von Zubehör- oder Anbauteilen, die nicht in dieser Anleitung empfohlen werden, sowie die Bedienung des Geräts in Abweichung von den in dieser Anleitung beschriebenen Verfahren können zu Verletzungen und/oder Sachschäden führen.
- ◆ Verwenden Sie keine gebrochenen/verbotenen/beschädigten/verformten Sägeblätter.
- ◆ Verwenden Sie keine Blätter mit einem kleineren oder größeren Durchmesser als empfohlen. Angaben über die richtigen Sägeblätter sind den Technischen Daten zu entnehmen.



Warnung! Die Berührung und das Einatmen von Stäuben, die beim Sägen von Materialien entstehen, können beim Bediener und bei Umstehenden gesundheitliche Schäden verursachen. Tragen Sie eine speziell für den Schutz vor Staub und Dämpfen vorgesehene Staubmaske, und stellen Sie sicher, dass auch andere Personen entsprechend geschützt sind, die den Arbeitsplatz betreten oder sich dort aufhalten.

- ◆ Bearbeiten Sie keinesfalls asbesthaltige Materialien. Asbest ist krebserregend.
- ◆ Tragen Sie beim Umgang mit Sägeblättern und rauen Materialien Handschuhe (Sägeblätter sollten möglichst mithilfe einer Halterung getragen werden).
- ◆ Tragen Sie Gehörschutz, um die Gefahr von lärmbedingtem Hörverlust zu reduzieren.
- ◆ Verwenden Sie ggf. spezielle geräuscharme Sägeblätter.
- ◆ Tragen Sie Augenschutz, um die Gefahr von Verletzungen zu reduzieren.
- ◆ Verwenden Sie beim Sägen von Holz den mitgelieferten Staubbeutel.
- ◆ Wählen Sie das richtige Sägeblatt für das zu schneidende Material.
- ◆ Betreiben Sie das Gerät nicht ohne Schutzvorrichtung. Betreiben Sie das Gerät nicht, wenn die Schutzvorrichtung defekt oder nicht ordnungsgemäß gewartet ist.
- ◆ Vergewissern Sie sich vor jedem Sägevorgang, dass die Maschine stabil steht.

- ◆ Achten Sie darauf, dass die Griffe trocken, sauber sowie frei von Öl und Fett sind.
- ◆ Halten Sie die Umgebung des Geräts sauber und frei von losem Material wie Spänen und Verschnittmaterial.
- ◆ Stellen Sie sicher, dass das Gerät und der Arbeitsbereich über eine angemessene allgemeine Beleuchtung oder Punktbeleuchtung verfügen.
- ◆ Das Gerät darf nicht von unerfahrenen Personen verwendet werden.
- ◆ Stellen Sie vor der Verwendung sicher, dass das Sägeblatt ordnungsgemäß angebracht ist. Vergewissern Sie sich, dass das Sägeblatt sich in die richtige Richtung dreht. Achten Sie darauf, dass das Sägeblatt scharf ist. Befolgen Sie die Anweisungen zum Schmieren und Wechseln von Zubehörteilen.
- ◆ Stellen Sie sicher, dass die auf dem Sägeblatt angegebene Drehzahl mindestens so hoch ist wie die auf der Säge angegebene Drehzahl.
- ◆ Ziehen Sie vor der Durchführung von Wartungsarbeiten und vor dem Sägeblattwechsel immer das Netzkabel aus der Steckdose.
- ◆ Führen Sie keinesfalls Reinigungs- oder Wartungsarbeiten aus und entfernen Sie keinesfalls Verschnittmaterial oder andere Teile des Werkstücks aus dem Schneidebereich, wenn das Gerät eingeschaltet ist und sich der Sägekopf nicht in der Ruhestellung befindet.
- ◆ Stellen Sie vor dem Betrieb sicher, dass alle Verriegelungen und Griffe fest sitzen.
- ◆ Versuchen Sie keinesfalls, das Gerät mithilfe eines Werkzeugs oder anderer Gegenstände plötzlich anzuhalten. Dadurch können ernsthafte Verletzungen verursacht werden.
- ◆ Lesen Sie vor dem Verwenden oder Anbringen von Zubehör die Anleitung. Die falsche Verwendung von Zubehör kann Sachschäden verursachen.
- ◆ Machen Sie die Warnsymbole auf dem Gerät keinesfalls unkenntlich.
- ◆ Stützen Sie sich keinesfalls auf dem Gerät ab. Das Kippen des Geräts oder das Berühren des Sägeblatts kann ernsthafte Verletzungen verursachen.
- ◆ Berühren Sie nach dem Gebrauch das Sägeblatt erst, wenn es abgekühlt ist. Das Sägeblatt wird bei der Arbeit sehr heiß.
- ◆ Um Verletzungen durch umhergeschleuderte Materialien zu verhindern, ziehen Sie den Netzstecker der Säge, und entfernen Sie dann kleine Materialien.
- ◆ Achten Sie darauf, dass der Spaltkeil den richtigen Abstand zum Sägeblatt hat.

Warnung! Prüfen Sie vor jedem Einsatz und nach jeder Wartung, ob der Spaltkeil eingerastet und am Sägeblatt ausgerichtet ist.

- ◆ Vor der Verwendung und nach allen Wartungsarbeiten muss der Sägeblattschutz überprüft werden, um dessen ordnungsgemäße Funktion sicherzustellen. Während der Überprüfung muss die Säge ausgeschaltet und von der Stromversorgung getrennt sein. Wenn die Schutzvorrichtung nicht ordnungsgemäß funktioniert, muss das Gerät durch qualifiziertes Fachpersonal gewartet werden. Wenden Sie sich telefonisch an den BLACK+DECKER Kundendienst, um Informationen zu einer Vertragswerkstatt in Ihrer Nähe zu erhalten.
- ◆ **Diese Tischsäge wurde ausschließlich zum Sägen von Holz, Kunststoff und Buntmetallen entwickelt.** Verwenden Sie das Gerät nicht zum Schneiden von Werkstoffen, die nicht vom Hersteller empfohlen sind.
- ◆ Berühren Sie nach dem Gebrauch das Sägeblatt erst, wenn es abgekühlt ist. Das Sägeblatt wird bei der Arbeit sehr heiß.



Warnung! Beim Sägen von Kunststoffen, Holz, das mit einer Beschichtung gegen das Auslaufen von Pflanzensaft versehen ist, und anderen Materialien kann sich geschmolzenes Material auf den Spitzen und dem Körper des Sägeblatts ansammeln, wodurch das Risiko des Überhitzens und Blockierens des Sägeblatts beim Schneiden erhöht wird.

Restrisiken

Folgende Risiken sind mit der Verwendung von Sägen untrennbar verbunden:

Auch bei der Einhaltung der entsprechenden Sicherheitsvorschriften und der Verwendung aller Sicherheitsgeräte bestehen weiterhin bestimmte Restrisiken. Diese sind:

- ◆ Verletzungen, die durch das Berühren von sich drehenden/bewegenden Teilen verursacht werden.
- ◆ Schwerhörigkeit.
- ◆ Unfallrisiko durch ungeschützte Teile des sich drehenden Sägeblatts.
- ◆ Das Austauschen von Teilen, Messern oder Zubehör kann Verletzungen zur Folge haben.
- ◆ Quetschen der Finger beim Öffnen der Schutzabdeckungen.
- ◆ Gesundheitsrisiken durch das Einatmen von Staub beim Sägen von Holz, insbesondere Eiche, Buche und Pressspan.
- ◆ Verletzungen, die durch längeren Gebrauch eines Geräts verursacht werden. Legen Sie bei längerem Gebrauch regelmäßige Pausen ein.

Lärm

Die angegebenen Werte der Lärmemissionen entsprechen den Richtwerten einer genormten Prüfung und lassen sich zum Vergleich verschiedener Geräte verwenden.

Außerdem kann mit Hilfe dieser Werte die Belastung bei Verwendung des Geräts schon im Voraus eingeschätzt werden.

Warnung! Die bei Verwendung des Geräts auftretenden Lärmemissionen hängen von der Art des Gerätegebrauchs und insbesondere von der Art der bearbeiteten Werkstücke ab und können dementsprechend von den angegebenen Werten abweichen.

Warnung! Tragen Sie immer geeigneten Gehörschutz.

Unter bestimmten Bedingungen und je nach Anwendungsdauer kann das Geräusch dieses Produktes zu Gehörverlust führen. Beachten Sie die folgenden Faktoren, die sich auf die Lärmexposition auswirken:

- ◆ Verwenden Sie Sägeblätter, die Lärmemissionen mindern,
- ◆ Verwenden Sie nur richtig geschärfte Sägeblätter, und
- ◆ Verwenden Sie speziell konstruierte, lärmreduzierende Sägeblätter.

Etiketten am Werkzeug

Folgende Piktogramme sowie der Datumscode befinden sich auf dem Werkzeug:



Warnung! Lesen Sie vor Gebrauch die Anleitung. Andernfalls besteht Verletzungsgefahr.



Tragen Sie eine Schutzbrille



Tragen Sie Gehörschutz



Tragen Sie eine Staubmaske



Das Gerät darf nicht von Personen unter 16 Jahren verwendet werden



Halten Sie Ihre Hände nicht in die Nähe des Sägeblatts



Tragen Sie beim Umgang mit den Sägeblättern Handschuhe



Schützen Sie das Gerät vor Feuchtigkeit und Regen.



Ziehen Sie den Netzstecker, wenn das Kabel beschädigt oder verheddert ist.



Achtung! Lesen Sie die Bedienungsanleitung, um die Schutzvorrichtung und den Spaltkeil richtig einzustellen und zu verriegeln..

Elektrische Sicherheit



Dieses Gerät ist schutzisoliert, daher ist keine Erdleitung erforderlich. Überprüfen Sie immer, dass die Stromversorgung der Spannung auf dem Typenschild entspricht.

- ◆ Ist das Netzkabel beschädigt, muss es durch den Hersteller oder eine Stanley FatMax Vertragswerkstatt ausgetauscht werden, um eine mögliche Gefährdung zu vermeiden.

Spannungsabfälle

Der Einschaltstrom kann einen kurzfristigen Spannungsabfall verursachen. Dies kann ggf. die Stromversorgung anderer Geräte beeinflussen. Bei einer Systemimpedanz der Stromversorgung von unter 0,361 sind Störungen unwahrscheinlich.

Verwenden eines Verlängerungskabels

Verwenden Sie ausschließlich geprüfte Verlängerungskabel, die für die Leistungsaufnahme dieses Geräts ausgelegt sind (siehe "Technische Daten"). Prüfen Sie vor der Inbetriebnahme das Netzkabel auf Verschleiß und Beschädigungen. Wechseln Sie beschädigte oder fehlerhafte Verlängerungskabel aus. Wenn Sie eine Kabeltrommel verwenden, wickeln Sie das Kabel vollständig ab. Die Verwendung eines Verlängerungskabels, das für die Leistungsaufnahme des Geräts nicht ausgelegt ist, oder eines beschädigten oder fehlerhaften Kabels kann zu Bränden und elektrischen Schlägen führen.

Merkmale

Dieses Gerät verfügt über einige oder alle der folgenden Merkmale:

1. Sägefisch
2. Sägeblattschutz
- 2a. Aufbewahrungsfach für den Sägeblattschutz
3. Spaltkeil
4. Sägeblatt
- 4a. Aufbewahrungsfach für das Sägeblatt
5. Parallelanschlag
- 5a. Aufbewahrungsfach für den Parallelanschlag

6. Gehrungslehre
- 6a. Aufbewahrungsfach für die Gehrungslehre
7. Staubfangbeutel
8. Ein-/Aus-Schalter
9. Untergestell
10. Verriegelungsknopf der Gehrungseinstellung
11. Hebel für die Blatterhöhung
12. Verriegelungsknopf des Untergestells
13. Rad zum Neigen des Sägeblatts
14. Verriegelungsgriff für den Verlängerungstisch
15. Verriegelungsgriff für den Parallelanschlag
16. Verlängerungstisch
17. Schraubenschlüssel X2
18. Führungsschiene
19. Schiebeseite
20. Tischeinsatz
21. Überlastungsschutz
22. Justierung des Untergestells
23. Netzkabel
24. Netzkabelaufbewahrungslaschen

Montage

- ◆ Öffnen Sie die Verpackung und heben Sie die Säge heraus.
- ◆ Stellen Sie die Säge auf eine glatte, flache Oberfläche wie eine Werkbank oder einen stabilen Tisch.
- ◆ Diese Maschine wird mit einem auf 45 Grad eingestellten Sägeblatt (4) ausgeliefert. Setzen Sie den Wert auf 0 Grad zurück, indem Sie die Anweisungen unter „Einstellen des Sägeblattwinkels“ weiter unten befolgen

Montage des Untergestells (Abb. A, B & C)

Hinweis: Die Untergestelle sind so konstruiert, dass sie nur in einer Richtung montiert werden können. Achten Sie darauf, dass die Untergestelle immer nach außen geneigt sind, wie auf der vorderen Abdeckung und der Montagezeichnung auf Seite 2 gezeigt.

- ◆ Lösen und entfernen Sie alle vier Verriegelungsknöpfe des Untergestells (12), siehe Abbildung A.
- ◆ Legen Sie die Tischeinsätze kopfüber auf eine stabile Unterlage und setzen Sie die Untergestelle (9) wie in Abbildung B gezeigt ein. Achten Sie dabei auf die richtige Ausrichtung.
- ◆ Bringen Sie die Verriegelungsknöpfe des Untergestells (12) wieder an, wobei Sie darauf achten müssen, dass sie durch die Löcher an den Untergestellen (9) gesteckt werden, und ziehen Sie sie fest an, siehe Abbildung B.
- ◆ Die Tischeinsätze sind mit einer Justierung des Untergestells (22) ausgestattet. Diese kann genutzt werden, um unregelmäßige Böden auszugleichen, siehe Abbildung C.

Einstellung des Spaltkeils (Abb. D, E & F)

Warnung! Der Spaltkeil (3) sollte bei Lieferung in der richtigen Position zum Durchschneiden stehen. Vergewissern Sie sich jedoch vor der ersten Benutzung und vor dem Anschließen der Maschine an die Stromversorgung, dass der Spaltkeil fest sitzt, in einer Linie mit dem Sägeblatt liegt und den richtigen Abstand zum Sägeblatt hat – siehe Abb. F. Arbeiten Sie nur mit der Maschine, wenn sich der Spaltkeil (3) in der oberen Position befindet, es sei denn, die Säge wird zum Schlitzfräsen verwendet. FÜR SCHLITZVORGÄNGE MUSS DIE SCHUTZVORRICHTUNG ENTFERNT WERDEN. HEBEN SIE DEN SPALTKEIL SOFORT WIEDER AN UND BRINGEN SIE DIE SCHUTZVORRICHTUNG WIEDER AN, NACHDEM SIE EINE ARBEIT BEENDET HABEN, DIE DAS ENTFERNEN DER SCHUTZVORRICHTUNG ODER DAS ABSENKEN DES SPALTKEILS ERFORDERT HAT. Zum Einsetzen des Spaltkeils (3) in die obere Position gehen Sie wie folgt vor:

- ◆ Entfernen Sie die Sicherungsschraube (20a) am Tischeinsatz (20) und heben Sie den Tischeinsatz von der Säge ab, siehe Abbildung D.
- ◆ Heben Sie das Sägeblatt und den Spaltkeil an, indem Sie den Hebel für die Blatterhöhung (11) im Uhrzeigersinn drehen, siehe Abbildung E.
- ◆ Lösen Sie den Verriegelungsgriff (3a) und ziehen Sie den Spaltkeil (3) in die obere Position, siehe Abbildung F.
- ◆ Bringen Sie den Verriegelungsgriff (3a) wieder in die verriegelte Position.

Warnung! Wenn der Verriegelungsgriff (3a) nicht in die Verriegelungsposition im unteren Quadranten (Abb. F) gebracht werden kann, befindet sich der Spaltkeil möglicherweise nicht in der richtigen Position.

Positionieren Sie den Spaltkeil neu und setzen Sie den Verriegelungsgriff in seine Position im unteren Quadranten zurück.

Warnung! Um vollständig verriegelt zu sein, muss sich der Verriegelungsgriff (3A) im unteren Quadranten, unterhalb der horizontalen Position befinden – siehe Abb. F. Überprüfen Sie dies sorgfältig.

Montage des Sägeblattschutzes (Abb. G)

Warnung! Vor der Montage der Schutzvorrichtung muss der Spaltkeil in der oberen Position arretiert werden.

Die Schutzvorrichtung darf nicht montiert werden, wenn sich der Spaltkeil in der unteren Position befindet und verriegelt ist.

- ◆ Der Sägeblattschutz (2) wird mit einem federbelasteten Sicherungsstift (2c) geliefert, um die Schutzvorrichtung am Spaltkeil (3) zu fixieren und zu sichern. Beim Durchschneiden muss stets die Schutzvorrichtung angebracht werden, um die Verletzungsgefahr zu verringern.

- ◆ Heben Sie das Sägeblatt und den Spaltkeil an, indem Sie den Hebel für die Blatterhöhung (11) gegen den Uhrzeigersinn drehen, siehe Abbildung E.
- ◆ Positionieren Sie die Stange im hinteren Teil der Schutzvorrichtung (2b) nach unten und hinter der Spaltkeilaufnahme (3b).
- ◆ Drücken Sie den Sicherungsstift (2c) herunter und senken Sie die Schutzvorrichtung ab, um sie an der vorderen Position des Spaltkeils (3c) auszurichten.
- ◆ Lassen Sie den Sicherungsstift los und vergewissern Sie sich, dass die Schutzvorrichtung fest auf dem Spaltkeil sitzt.
- ◆ Der Bediener darf die Schutzvorrichtung nur vom Spaltkeil entfernen können, indem er den Sicherungsstift (2c) herunterdrückt und dann die Schutzvorrichtung nach oben hebt.
- ◆ Ziehen Sie die Schutzvorrichtung vorsichtig vom Spaltkeil etwas nach oben, um sicherzustellen, dass alles richtig angebracht ist.

Umgang mit Staub

- ◆ Ihre Säge wird mit einem Staubauffangbeutel (7) geliefert, der an der Staubauffangöffnung an der Rückseite des Geräts (wie auf Seite 3 gezeigt) angebracht werden sollte, wenn kein Staubsauger verwendet wird.
- ◆ Wenn ein Staubsauger verwendet werden soll, sind sowohl der Anschluss der Schutzvorrichtung als auch der Anschluss an der Rückseite für 35-mm-Düsen geeignet. Der Staubsauger muss für das zu bearbeitende Material geeignet sein.
 - ◆ Verwenden Sie beim Aufsaugen von trockenem, besonders gesundheitsschädlichem oder krebserregendem Staub einen Staubsauger der Staubklasse M.
 - ◆ Stellen Sie sicher, dass der verwendete Saugschlauch für die Anwendung und das zu schneidende Material geeignet ist. Sorgen Sie für sorgfältigen Umgang mit den Schläuchen.

Montage/Austausch des Sägeblatts (Abb. O)

Warnung! Überprüfen Sie nach jeder Wartung die Ausrichtung des Spaltkeils und die Funktionsfähigkeit der Schutzvorrichtungen.

Warnung! Prüfen Sie vor jedem Einsatz und nach jeder Wartung, ob der Spaltkeil eingerastet und am Sägeblatt ausgerichtet ist.

Beim Durchschneiden muss stets die Schutzvorrichtung angebracht werden.

Warnung! Stellen Sie sicher, dass die Maschine von der Spannungsquelle getrennt ist. Tragen Sie Schutzhandschuhe.

- ◆ Demontieren Sie den Sägeblattschutz (2).
- ◆ Entfernen Sie den Tischeinsatz (20).

- ◆ Lösen Sie die Sägeblattnutter, indem Sie den Schraubenschlüssel (17) auf die Mutter setzen und einen anderen Schraubenschlüssel (17) am Flansch dagegeghalten.

Warnung! Drehen Sie die Mutter in der Drehrichtung des Sägeblatts.

- ◆ Entfernen Sie den äußeren Flansch und nehmen Sie das Sägeblatt mit einer diagonalen Abwärtsbewegung aus dem inneren Flansch heraus.
- ◆ Reinigen Sie den Flansch sorgfältig, bevor Sie das neue Sägeblatt anbringen.
- ◆ Setzen Sie das neue Sägeblatt ein und befestigen Sie den äußeren Flansch.

Warnung! Die Zähne eines neuen Sägeblatts sind sehr scharf und können gefährlich sein. Achten Sie darauf, dass die Zähne auf der Vorderseite des Tisches nach unten zeigen und an dem auf dem Sägeblattschutz (2) markierten Pfeil ausgerichtet sind.

Warnung! Überprüfen Sie nach jeder Wartung die Ausrichtung des Spaltkeils und die Funktionsfähigkeit der Schutzvorrichtungen.

Warnung! Prüfen Sie vor jedem Einsatz und nach jeder Wartung, ob der Spaltkeil eingerastet und am Sägeblatt ausgerichtet ist. Beim Durchschneiden muss stets die Schutzvorrichtung angebracht werden.

Ein-/Ausschalter (8)

- ◆ Zum Einschalten der Maschine heben Sie die schwarze Schalterabdeckung an und drücken die grüne Starttaste.
- ◆ Zum Ausschalten der Maschine drücken Sie den schwarzen Schalter.

Schnitttiefe

Drehen Sie den Hebel für die Blatterhöhung (11), um das Sägeblatt auf die erforderliche Schnitttiefe einzustellen.

- ◆ Drehen Sie gegen den Uhrzeigersinn, um die Schnitttiefe zu erhöhen.
- ◆ Drehen Sie im Uhrzeigersinn, um die Schnitttiefe zu verringern.

Nach jeder Justieren empfiehlt es sich, einen Probeschnitt durchzuführen, um die eingestellten Maße zu überprüfen.

Hinweis: Das Sägeblatt sollte ca. 3,2 mm über die Oberseite des Werkstücks herausragen.

Montage des Parallelanschlags (Abb. H & I)

- ◆ Befestigen Sie den Parallelanschlagnagel (5) an der Rückseite und drücken Sie den Verriegelungshebel (15) nach unten.
- ◆ Ziehen Sie bei der Demontage den Verriegelungsgriff (15) nach oben und entfernen Sie den Parallelanschlagnagel (5).
- ◆ Der Parallelanschlagnagel kann mit der hinteren Rändelmutter (5b) angezogen werden.

Festlegen der Schnittbreite (Abb. J)

Der Parallelanschlag (5) dient zum Längsschneiden von Werkstücken.

- ◆ Setzen Sie den Parallelanschlag (5) rechts oder links vom Sägeblatt auf die Führungsschiene (18).
- ◆ Mit der Skala an der Führungsschiene (18) kann der Abstand zwischen Anschlagsschiene und Sägeblatt (4) nur dann angezeigt werden, wenn sich der Tisch nicht in der erweiterten Position befindet (Abb. L).
- ◆ Stellen Sie den Parallelanschlag (5) auf dem Schauglas auf die gewünschte Spezifikation ein und sichern Sie ihn mit dem Verriegelungsgriff für den Parallelanschlag (15).

Hilfsanschlag (Abb. J1)

Beim Sägen schmaler Werkstücke und Gehrungswinkel muss der Hilfsanschlag (5c) wie in Abbildung J1 gezeigt am Parallelanschlag (5) montiert werden.

Beim Sägen schmaler Werkstücke können diese sich zwischen dem Parallelanschlag und dem Sägeblatt verklemmen, durch die Rotation des Sägeblatts aufgefangen und aus der Maschine geworfen werden. Stellen Sie deshalb den Hilfsanschlag (5c) so ein, dass sich seine Führungskante zwischen dem vorderen Sägeblattzahn und dem vorderen Ende des Spaltkeils befindet.

Verwendung der Gehrungslehre (Abb. K)

- ◆ Drücken Sie die Gehrungslehre in einen Schlitz (1a) am Säge Tisch (1).
- ◆ Lösen Sie den Verriegelungsgriff (6a).
- ◆ Drehen Sie die Gehrungslehre (6b), bis der gewünschte Winkel eingestellt ist.
- ◆ Die Skala (6c) zeigt den eingestellten Winkel an.
- ◆ Ziehen Sie den Verriegelungsgriff (6a) wieder fest.

Verlängerungstisch (Abb. L)

Der Verlängerungstisch (16) kann für besonders breite Werkstücke genutzt werden.

- ◆ Lösen Sie den Verriegelungsgriff (14) und ziehen Sie die Tischbreitenverlängerung auf die gewünschte Länge heraus.

Einstellen des Sägeblattwinkels (Abb. M)

Stellen Sie den erforderlichen Neigungswinkel zwischen 0 und 45 Grad ein.

- ◆ Lockern Sie den Verriegelungsknopf der Gehrungseinstellung (10).
- ◆ Drücken Sie das Rad zum Neigen des Sägeblatts (13) herein und drehen Sie es auf den gewünschten Winkel.
- ◆ Stellen Sie den gewünschten Winkel ein und verriegeln Sie den Knopf (10) wieder.

Arbeitsanweisungen

Nach jedem Justieren empfiehlt es sich, einen Probeschnitt durchzuführen, um die eingestellten Maße zu überprüfen. Warten Sie nach dem Einschalten der Säge, bis das Sägeblatt seine maximale Drehzahl erreicht hat, bevor Sie mit dem Schnitt beginnen.

Sichern Sie lange Werkstücke am Ende des Schnitts gegen Herunterfallen (z. B. durch einen Rollenständer usw.). Seien Sie besonders vorsichtig, wenn Sie mit dem Schnitt beginnen!

Durchführung von Längsschnitten

Für Längsschnitte (auch als Schlitzten bekannt) schneiden Sie mit der Säge entlang der Holzmaserung. Drücken Sie eine Kante des Werkstücks so gegen den Parallelanschlag (5), dass die flache Seite auf dem Säge Tisch (1) liegt. Der Sägeblattschutz (2) muss immer über das Werkstück abgesenkt werden. Nehmen Sie für einen Längsschnitt niemals eine Arbeitsposition ein, die in der Schnittrichtung liegt.

- ◆ Schalten Sie die Säge ein.
- ◆ Legen Sie Ihre Hände (mit geschlossenen Fingern) flach auf das Werkstück und schieben Sie das Werkstück vorwärts und in das Sägeblatt (4) hinein.
- ◆ Führen Sie es seitlich mit der linken oder rechten Hand (je nach Position) nur bis zur Vorderkante des Sägeblattschutzes (2).
- ◆ Schieben Sie das Werkstück immer mit dem Schiebestock (19) bis zum Ende des Spaltkeils (3), siehe Abbildung N.
- ◆ Das abgeschnittene Stück bleibt auf dem Säge Tisch (1) liegen.
- ◆ Sichern Sie lange Werkstücke am Ende des Schnitts gegen Herunterfallen, z. B. durch einen Rollenständer.

Warnung! Verwenden Sie beim Längsschneiden kleiner Werkstücke immer den Schiebestock (19). Sägen Sie keine extrem kleinen Werkstücke.

Querschnitten

- ◆ Arretieren Sie die Gehrungslehre (6) bei 0 Grad.
- ◆ Stellen Sie den Gehrungswinkel auf 0 Grad ein.
- ◆ Stellen Sie die Höhe des Sägeblatts (4) ein.
- ◆ Halten Sie das Werkstück flach auf dem Tisch (1) und gegen den Anschlag. Halten Sie das Werkstück vom Sägeblatt weg.
- ◆ Halten Sie beide Hände vom Weg des Sägeblatts weg.
- ◆ Schalten Sie die Maschine ein und lassen Sie das Sägeblatt seine volle Geschwindigkeit erreichen.
- ◆ Halten Sie das Werkstück fest gegen den Anschlag und bewegen Sie es langsam zusammen mit dem Anschlag, bis das Werkstück unter den oberen Sägeblattschutz kommt.
- ◆ Die Zähne sollten frei schneiden und das Werkstück sollte nicht in das Sägeblatt hineingepresst werden. Die Sägeblattgeschwindigkeit sollte konstant bleiben.

Schalten Sie die Maschine nach Abschluss des Schnitts aus, damit das Sägeblatt anhält, und entfernen Sie das Werkstück.

Warnung! Schieben oder halten Sie niemals die abgeschnittene Seite des Werkstücks.

Vorgehen bei einem blockierten Sägeblatt

- ◆ Stellen Sie sicher, dass die Maschine von der Spannungsquelle getrennt ist.
- ◆ Entfernen Sie das Werkstück. Achten Sie darauf, dass Ihre Hände das Sägeblatt nicht berühren.
- ◆ Drücken Sie auf den Überlastungsschutz (21) und schließen Sie den Stecker erneut an. Die Maschine kann dann wieder in Betrieb gehen.

Nach dem Gebrauch

- ◆ Wischen Sie nach dem Gebrauch am Werkzeug anhaftende Späne und Staub mit einem Tuch oder dergleichen ab.
- ◆ Schmieren Sie die gleitenden Teile mit Maschinenöl, um Rostbildung zu vermeiden.

Umweltschutz



Getrennte Entsorgung. Produkte und Akkus mit diesem Symbol dürfen nicht mit dem normalen Hausmüll entsorgt werden.

Produkte und Akkus enthalten Materialien, die wiederverwertet werden können, um den Bedarf an Rohstoffen zu verringern. Bitte recyceln Sie elektrische Produkte und Akkus gemäß den örtlichen Bestimmungen. Weitere Informationen finden Sie auf www.2helpU.com

Technische Daten

		BES720 Typ 1
Spannung	V	230
Frequenz	Hz	50
Leistungsaufnahme	W	1800
Leerlaufdrehzahl	/min	5200
Sägeblattdurchmesser	mm	254
Stärke des Sägeblattkörpers	mm	2,0
Zulässiger Schlitzbreitenbereich	mm	2,8
Bohrungsgröße	mm	30
Spaltkeildicke	mm	2,5
Max. Schnitttiefe bei 45°	mm	58
Max. Schnitttiefe bei 90°	mm	80
Gehungsbereich des Sägeblatts		0 - 45°
Gewicht	kg	27,56

Schalldruckpegel gemäß EN 62841:

L_{pa} (Schalldruck) 95 dB(A), Unsicherheitsfaktor (K) 3 dB(A)

Schalldruckpegel gemäß EN 62841:

L_{wa} (Schallleistung) 108 dB(A), Unsicherheitsfaktor (K) 3 dB(A)

EU-Konformitätserklärung

MASCHINENRICHTLINIE



BES720 Tischsäge

Black & Decker erklärt, dass die in den technischen Daten beschriebenen Geräte übereinstimmen mit:

EN62841-1:2015, EN62841-3-9:2015+A11:2017,

Diese Produkte entsprechen außerdem den Richtlinien 2006/42/EC, 2014/30/EU und 2011/65/EU.

Weitere Informationen erhalten Sie von Black & Decker unter der folgenden Adresse. Diese befindet sich auch auf der Rückseite dieser Anleitung.

Der Unterzeichnete ist verantwortlich für die Zusammenstellung der technischen Daten und gibt diese Erklärung im Namen von Black & Decker ab.

Patrick Diepenbach

Patrick Diepenbach
General Manager, Benelux
Black and Decker,
Egide Walschaertsstraat 14-18
2800 Mechelen, Belgien
21/05/2021

Garantie

Black & Decker vertraut auf die Qualität der eigenen Geräte und bietet dem Käufer eine außergewöhnliche Garantie von 24 Monaten ab Kaufdatum. Diese Garantie versteht sich unbeschadet der gesetzlichen Gewährleistungsansprüche und schränkt diese keinesfalls ein. Diese Garantie gilt innerhalb der Staatsgebiete der Mitgliedstaaten der Europäischen Union und der Europäischen Freihandelszone.

Zur Inanspruchnahme dieser Garantie muss sie den allgemeinen Geschäftsbedingungen von Black & Decker entsprechen und dem Verkäufer bzw. der Vertragswerkstatt ist ein Kaufnachweis vorzulegen. Die Bedingungen für die 2-jährige Garantie von Black & Decker und den Standort Ihrer nächstgelegenen Vertragswerkstatt finden Sie im Internet unter www.2helpU.com oder indem Sie sich an die lokale Black & Decker-Niederlassung wenden, deren Adresse Sie in dieser Anleitung finden.

Ihr neues Black & Decker Produkt können Sie auf unserer Website unter www.blackanddecker.eu registrieren. Dort erhalten Sie auch Informationen über neue Produkte und Sonderangebote.

Utilisation prévue

Votre scie sur table BLACK+DECKER BES720 a été conçue pour scier et scier transversalement tous les types de bois proportionnellement à la taille de la machine. Cet outil est destiné à un usage grand public uniquement.

Consignes de sécurité

Avertissements liés à la sécurité générale propres aux outils électriques



Avertissement ! Veuillez lire tous les avertissements de sécurité, toutes les instructions, les illustrations et les spécifications fournies avec cet outil électrique. Le non-respect des avertissements et des instructions listés ci-dessous peut occasionner des décharges électriques, des incendies et/ou de graves blessures.

Conservez tous les avertissements et toutes les instructions afin de pouvoir vous y référer dans le futur. Le terme "outil électrique" mentionné dans tous les avertissements listés ci-dessous fait référence à vos outils électriques branchés sur secteur (avec câble) ou fonctionnant sur pile ou batterie (sans fil).

1. Sécurité de la zone de travail

- Maintenez la zone de travail propre et bien éclairée.**
Les zones sombres ou encombrées sont propices aux accidents.
- N'utilisez pas d'outils électriques dans un environnement présentant des risques d'explosion ou en présence de liquides, gaz ou poussières inflammables.** Les outils électriques créent des étincelles qui peuvent enflammer les poussières et les fumées.
- Maintenez les enfants et les autres personnes à l'écart quand vous utilisez un outil électrique.** Toute distraction peut vous faire perdre le contrôle de l'outil.

2. Sécurité électrique

- Les prises des outils électriques doivent correspondre à la prise de courant murale. Ne modifiez jamais la prise d'aucune sorte. N'utilisez aucun adaptateur avec des outils électriques reliés à la terre.** L'utilisation de prises d'origine et de prises murales appropriées permet de réduire le risque de décharge électrique.
- Évitez tout contact physique avec des surfaces reliées à la terre comme des tuyaux, des radiateurs, des fours et des réfrigérateurs par exemple.** Il y a sinon un risque accru de décharge électrique si votre corps est lui-même relié à la terre.
- N'exposez pas les outils électriques à la pluie, ni à l'humidité.**

Le risque de décharge électrique augmente si de l'eau pénètre dans un outil électrique.

- Ne tirez pas sur le cordon d'alimentation. N'utilisez jamais le cordon pour transporter, tirer ou débrancher l'outil électrique. Maintenez le cordon à l'écart de la chaleur, des substances grasses, des bords tranchants ou des pièces mobiles.** Les cordons endommagés ou emmêlés augmentent les risques de décharges électriques.
 - Si vous utilisez un outil électrique à l'extérieur, utilisez une rallonge homologuée pour les travaux extérieurs.** L'utilisation d'une rallonge électrique homologuée pour les travaux en extérieur réduit le risque de décharge électrique.
 - Si l'utilisation d'un outil électrique dans un endroit humide est inévitable, utilisez une alimentation électrique protégée par un disjoncteur différentiel à courant résiduel (DDR).** L'utilisation d'un DDR réduit le risque de décharge électrique.
- #### 3. Sécurité des personnes
- Restez vigilant, surveillez ce que vous faites et faites preuve de bon sens lorsque vous utilisez un outil électrique. N'utilisez pas d'outils électriques si vous êtes fatigué ou sous l'influence de drogue, d'alcool ou de médicaments.** Tout moment d'inattention pendant l'utilisation d'un outil électrique peut engendrer de graves blessures.
 - Portez des équipements de protection individuelle. Portez toujours une protection oculaire.** Les équipements de protection comme les masques à poussière, les chaussures de sécurité antidérapantes, les casques ou les protections auditives réduisent le risque de blessures s'ils sont utilisés à bon escient.
 - Empêchez tout démarrage intempestif. Assurez-vous que l'interrupteur est en position Arrêt avant de raccorder l'outil à l'alimentation électrique et/ou au bloc-batterie ou avant de ramasser ou de transporter l'outil.** Le fait de transporter les outils électriques le doigt sur l'interrupteur ou d'alimenter les outils électriques dont l'interrupteur est déjà en position de marche augmente le risque d'accidents.
 - Retirez toutes les clés ou pinces de réglage avant de mettre l'outil en marche.** Une clé ou une pince restée fixée sur une pièce rotative de l'outil électrique peut engendrer des blessures.
 - Ne vous penchez pas. Gardez les pieds bien ancrés au sol et conservez votre équilibre en permanence.** Cela permet de mieux maîtriser l'outil électrique en cas de situations imprévues.
 - Portez des vêtements appropriés. Ne portez aucuns vêtements amples, ni bijoux. Gardez vos cheveux et vos vêtements éloignés des pièces mobiles.**

Les vêtements amples, les bijoux ou les cheveux longs peuvent être happés par les pièces mobiles.

- g. Si vous disposez de dispositifs pour le raccordement d'un extracteur de poussière ou d'installations pour la récupération, assurez-vous qu'ils sont correctement raccordés et utilisés.** L'utilisation de dispositifs récupérateurs de poussières réduit les risques liés aux poussières.
- h. Ne pensez pas être familiarisé avec l'outil après l'avoir utilisé à de nombreuses reprises, au point de ne plus rester vigilant et d'en oublier les consignes de sécurité.** Toute action imprudente peut engendrer de graves blessures en une fraction de seconde.

4. Utiliser et entretenir un outil électrique

- a. Respectez la capacité de l'outil. Utilisez un outil approprié, adapté pour le travail à réaliser.** Un outil adapté fonctionne mieux, de façon plus sûre et à la cadence pour laquelle il a été conçu.
- b. N'utilisez pas l'outil électrique si son interrupteur ne permet pas de l'allumer ou de l'éteindre.** Tout outil électrique qui ne peut plus être commandé par son interrupteur est dangereux et il doit être réparé.
- c. Débranchez la prise de la source d'alimentation et/ou retirez le bloc-batterie de l'outil électrique avant d'effectuer des réglages, de changer un accessoire ou de ranger les outils électriques.** Ces mesures de sécurité préventives réduisent le risque de démarrage accidentel de l'outil électrique.
- d. Rangez les outils électriques non utilisés hors de portée des enfants et ne laissez aucune personne ne connaissant pas ces outils ou leurs instructions d'utilisation les faire fonctionner.** Les outils électriques peuvent être dangereux entre des mains inexpérimentées.
- e. Entretenez vos outils électriques et leurs accessoires. Vérifiez que les pièces mobiles sont alignées correctement et qu'elles ne sont pas coincées. Vérifiez qu'aucune pièce n'est cassée et contrôlez l'absence de toute autre condition qui pourrait nuire au bon fonctionnement de l'outil. En cas de dommage, faites réparer l'outil électrique avant de le réutiliser.** De nombreux accidents sont provoqués par des outils électriques mal entretenus.
- f. Maintenez les organes de coupe affûtés et propres.** Des organes de coupe bien entretenus et dont le tranchant est affûté sont moins susceptibles de rester coincés et ils sont plus faciles à contrôler.
- g. Utilisez l'outil électrique, les accessoires et les embouts d'outils conformément à ces instructions, en tenant compte des conditions de travail et de la tâche à effectuer.** L'utilisation d'un outil électrique à des fins autres que celles pour lesquelles il a été prévu engendre des situations dangereuses.

- h. Veillez à ce que les poignées et les surfaces de préhension soient sèches et propres, sans trace d'huile ou de graisse.** Des poignées glissantes et des surfaces grasses ne permettent pas de manipuler ou de contrôler l'outil de façon sûre en cas de situation inattendue.

5. Révision/Réparation

- a. Ne faites réviser/réparer votre outil électrique que par un réparateur qualifié qui n'utilise que des pièces de rechange d'origine.** Cela permet de garantir la sûreté de l'outil électrique.

Consignes de sécurité liées aux scies sur table

- 1. Avertissements relatifs aux dispositifs de protection**
- a. Gardez les dispositifs de protection en place. Les dispositifs de protection doivent être en bon état de fonctionnement et correctement installés.** Un carter de protection mal fixé, endommagé ou qui ne fonctionne pas correctement doit être immédiatement réparé ou remplacé.
- b. Utilisez toujours le carter de lame, le couteau diviseur pour toutes les opérations de coupe traversante.** Pour les coupes traversantes où la lame de scie passe complètement à travers l'épaisseur de l'ouvrage, le carter et les autres dispositifs de protection aident à réduire le risque de blessure.
- c. Refixez immédiatement le système de protection après une opération (bouvetage, cimaise ou refendage) qui nécessite le retrait du carter et du couteau diviseur.** Le carter et le couteau diviseur aident à réduire le risque de blessure.
- d. Assurez-vous que la lame de scie ne touche ni le carter, ni le couteau diviseur, ni l'ouvrage avant de mettre la scie en marche.** Tout contact involontaire de ces éléments avec la lame de scie peut créer des conditions dangereuses.
- e. Réglez le couteau diviseur conformément aux instructions de ce manuel.** Si l'écartement, le positionnement ou l'alignement ne sont pas corrects, le couteau diviseur peut ne plus réduire le risque de rebond.
- f. Le couteau diviseur doit être engagé dans l'ouvrage pour fonctionner correctement.** Le couteau diviseur est inefficace pour les découpes de pièces trop courtes pour que le couteau diviseur puisse y être engagées. Dans ces conditions, il est impossible pour le couteau diviseur d'empêcher les rebonds.
- g. Utilisez une lame de scie adaptée pour le couteau diviseur.**

Pour que le couteau diviseur fonctionne correctement, le diamètre de la lame doit correspondre au couteau diviseur adapté, le corps de la lame de scie doit être plus fin que l'épaisseur du couteau diviseur et la largeur de coupe de la lame doit être supérieure à l'épaisseur du couteau diviseur.

2. Avertissements liés aux procédés de découpes

- a. **DANGER : Ne placez jamais ni vos doigts ni vos mains à proximité de la lame de scie ou en ligne avec elle.** Un moment d'inattention ou un dérapage pourrait diriger vos mains vers la lame et engendrer de graves blessures.
- b. **Faites avancer la pièce à scier sur la lame de scie, à contre sens du sens de rotation.** Si vous faites avancer la pièce sur la lame dans le même sens que la lame tourne au-dessus de la table, la pièce et vos mains pourraient être attirés vers la lame de scie.
- c. **N'utilisez jamais le calibre à onglet pour faire avancer la pièce à scier pendant les coupes longitudinales et n'utilisez pas la garde longitudinale comme butée de longueur pour les coupes transversales avec le calibre à onglet.** Le guidage de l'ouvrage avec à la fois la garde longitudinale et le calibre à onglet augmente la possibilité de coincement et de rebond de la lame de scie.
- d. **Pour les coupes longitudinales, faites toujours avancer la pièce entre la garde et la lame de scie. Utilisez un bâton-poussoir lorsque la distance entre la garde et la lame de scie est inférieure à 150 mm et utilisez un bloc-poussoir quand cette distance est inférieure à 50 mm.** Les "dispositifs d'aide au travail" permettent de garder vos mains à une distance sûre de la lame de scie.
- e. **N'utilisez que le bâton-poussoir fourni par le fabricant ou fabriqué conformément aux instructions.** Ce bâton-poussoir permet de maintenir une distance suffisante entre la main et la lame de scie.
- f. **N'utilisez jamais un bâton-poussoir endommagé ou coupé.** Un bâton-poussoir endommagé peut se briser et faire dériver vos mains sur la lame de scie.
- g. **Ne réalisez aucune opération à "main levée". Utilisez toujours soit la garde longitudinale, soit le calibre à onglet pour positionner et guider la pièce à scier.** Une "opération à main levée" signifie que vous utilisez vos mains pour soutenir ou guider l'ouvrage, au lieu d'une garde longitudinale ou d'un calibre à onglet. Le sciage à mains levées provoque des désalignements, des coincement de lame et des rebonds.
- h. **N'approchez jamais la zone autour ou au-dessus de la lame de scie.** Approcher la pièce à scier peut provoquer le contact accidentel avec la lame de scie en mouvement.

- i. **Mettez en place des supports supplémentaires pour l'ouvrage, à l'arrière et/ou sur les côtés de la scie sur table, pour les pièces longues et/ou larges, afin de les maintenir de niveau.** Une ouvrage long et/ou large a tendance à pivoter sur le bord du plateau et donc à provoquer une perte de contrôle ou le coincement et le rebond de la lame de scie.
- j. **Faites avancer l'ouvrage à une allure constante. Ne pliez et ne vrillez pas la pièce à scier. En cas de blocage, éteignez immédiatement l'outil avant de débrancher et de remédier au blocage.** Le blocage de la lame de scie dans l'ouvrage peut provoquer un rebond ou faire caler le moteur.
- k. **Ne retirez pas les chutes de matière découpée quand la scie en marche.** Les morceaux peuvent se coincer contre la garde ou à l'intérieur du carter de la lame de scie et vos doigts peuvent être attirés sur la lame. Éteignez la scie et attendez jusqu'à l'arrêt complet de la lame avant de retirer les morceaux.
- l. **Utilisez une garde supplémentaire en contact avec le haut de la table lors de coupes longitudinales de pièces de moins de 2 mm d'épaisseur.** Une pièce à scier plus fine peut se coincer sous la garde longitudinale et provoquer un rebond.

3. Causes des rebonds et avertissements associés

Le rebond est une réaction soudaine de la pièce à scier due au pincement ou au coincement de la lame de scie ou au mauvais alignement de la ligne de coupe dans la pièce par rapport à la lame ou si un bout de la pièce se coince entre la lame de scie et la garde longitudinale ou un autre objet fixe. La plupart du temps, lors d'un rebond, la pièce à scier est soulevée de la table par l'arrière de la lame de scie et elle est propulsée vers l'utilisateur. Les rebonds sont le résultat d'une utilisation incorrecte de la scie ou de mauvaises conditions ou procédures d'exécution et ils peuvent être évités en prenant les précautions adéquates énoncées ci-dessous.

- a. **Ne vous tenez jamais directement dans l'alignement de la lame de scie. Placez toujours votre corps du même côté de la lame que la garde.**
Le rebond peut propulser l'ouvrage à grande vitesse vers quiconque se trouve devant et en ligne avec la lame de scie.
- b. **N'approchez jamais par le dessus ou l'arrière de la lame de scie pour tirer ou soutenir la pièce à scier.** Un contact accidentel avec la lame de scie pourrait en résulter ou un rebond pourrait faire glisser vos doigts sur la lame.
- c. **Ne tenez et n'appuyez jamais la pièce sciée contre la lame de scie en mouvement.** Si la pièce sciée est appuyée contre la lame de scie, un coincement et un rebond sont possibles.

- d. **Alignez la garde parallèle à la lame de scie.** Une garde mal alignée peut pincer la pièce à scier contre la lame de scie et créer un rebond.
- e. **Soyez extrêmement prudent pour les découpes à l'aveugle dans des ouvrages déjà assemblés.** La partie saillante de la lame peut scier des éléments susceptibles de provoquer un rebond.
- f. **Soutenez les grands panneaux afin de minimiser le risque de pincer la lame de scie et le risque de rebond.** Les grands panneaux ont tendance à fléchir sous leur propre poids. Un/des support(s) doivent être placés sous toutes les portions du panneau qui pendent du plateau.
- g. **Soyez particulièrement vigilant lorsque vous sciez une pièce vrillée, avec des nœuds, voilée ou dont les bords ne sont pas assez droits pour pouvoir la guider avec un calibre à onglet ou le long de la garde.** Une pièce voilée, avec des nœuds ou vrillée est instable et elle provoque un mauvais alignement du trait de coupe avec la lame de scie qui peut alors se coincer et provoquer un rebond.
- h. **Ne découpez jamais plus d'une pièce à la fois, qu'elles soient empilées à la verticale ou à l'horizontale.** La lame de scie pourrait soulever une ou plusieurs pièces et provoquer un rebond.
- i. **Pour redémarrer la scie alors que la lame est dans la pièce, centrez la lame de scie dans le tait de scie et vérifiez que les dents ne sont pas engagées dans la matière.** Si la lame de scie se coince, elle peut soulever la pièce et provoquer un rebond au redémarrage de la scie.
- i. **Gardez les lames de scie propres, affûtées et correctement ajustées.** N'utilisez jamais de lames de scies voilées ou dont les dents sont fissurées ou brisées. Les lames de scie affûtées et correctement ajustées minimisent les coincements, les calages et les rebonds.
4. **Avertissements liés au fonctionnement de la scie sur table**
- a. **Éteignez la scie et débranchez le cordon électrique pour retirer l'insert du plateau, pour changer la lame de scie ou pour procéder au réglage du couteau diviseur ou du carter de lame et lorsque la machine est laissée sans surveillance.** Ces mesures de précaution permettent d'éviter les accidents.
- b. **Ne laissez jamais la scie sur table en marche sans surveillance. Éteignez l'outil et ne le quittez pas avant son arrêt complet.** Une scie en marche sans surveillance représente un risque non contrôlé.
- c. **Positionnez la scie sur table dans un endroit bien éclairé et de niveau où vous pourrez garder un bon ancrage au sol et votre équilibre.**
- Elle doit être installée dans une zone suffisamment spacieuse qui permet de facilement manipuler les pièces à scier. Les zones exigües et sombres ou dont le sol est irrégulier et glissant sont propices aux accidents.
- d. **Nettoyez et supprimez les poussières de sciage sous le plateau de la scie et/ou le dispositif de récupération des poussières de façon régulière.** Les poussières accumulées sont combustibles et peuvent s'enflammer.
- e. **La scie sur table doit être sécurisée.** Une scie sur table mal fixée peut bouger ou basculer.
- f. **Retirez les outils, les chutes de bois, etc. du plateau avant de mettre la scie en marche.** Toute distraction ou blocage potentiel peut être dangereux.
- g. **Utilisez toujours des lames de scie de taille et de forme adaptées à l'orifice de l'arbre (en losange ou rond).** Les lames de scie dont les éléments de fixation ne correspondent pas à ceux de la scie tournent de façon excentrique et provoquent des pertes de contrôle.
- h. **N'utilisez jamais d'élément de fixation endommagés ou mal adaptés (brides, rondelles, boulons ou écrous pour lame de scie).** Ces éléments de fixation ont été spécialement conçus pour votre scie, pour son fonctionnement sûr et optimal.
- i. **Ne montez jamais sur la scie sur table, ne l'utilisez pas comme escabeau.** De graves blessures pourraient en résulter si la machine bascule ou en cas de contact accidentel avec l'organe de coupe.
- j. **Assurez-vous que la lame de scie est installée de façon à tourner dans le bon sens. N'utilisez pas de disques de meulage, de brosses métalliques ou de disques abrasifs avec cette une scie sur table.** L'installation incorrecte de la lame de scie ou l'utilisation d'accessoires non recommandés peut provoquer de graves blessures.

Consignes de sécurité supplémentaires liées aux scies sur table

- ◆ L'usage prévu est décrit dans ce manuel d'utilisation. L'utilisation d'un accessoire ou d'une fixation non recommandé et l'utilisation de cet appareil à d'autres fins que celles recommandées dans ce manuel d'utilisation peut entraîner des blessures et/ou des dommages matériels.
- ◆ N'utilisez pas de lame de scie fissurée, tordue, endommagée ou déformée.
- ◆ N'utilisez pas de lames dont le diamètre est plus grand ou plus petit que celui recommandé. Référez-vous aux caractéristiques techniques pour savoir quelles lames choisir.



Avertissement ! Tout contact ou inhalation des poussières émises pendant le sciage peut nuire à la santé de l'opérateur et des personnes à proximité. Portez un masque à poussière spécialement conçu pour vous protéger des poussières et des fumées et veillez à ce que les personnes se trouvant à l'intérieur de la zone de travail ou y pénétrant soient également protégées.

- ◆ N'intervenez pas sur des matériaux contenant de l'amiante. L'amiante est considérée comme étant cancérigène.
- ◆ Portez des gants pour manipuler les lames et les matériaux bruts (les lames doivent si possible être transportées dans un support).
- ◆ Portez des protections auditives afin de réduire le risque de perdre l'ouïe.
- ◆ Pensez à utiliser des lames spécialement conçues pour réduire le bruit ambiant.
- ◆ Portez une protection oculaire afin de réduire les risques de blessures.
- ◆ Utilisez le sac à poussière fourni lorsque vous sciez du bois.
- ◆ Choisissez une lame adaptée à la matière à scier.
- ◆ Ne faites pas fonctionner la machine sans que le carter de protection ne soit en place. Ne faites pas fonctionner la machine si le carter de protection ne fonctionne pas ou s'il n'est pas correctement entretenu.
- ◆ Avant chaque coupe, assurez-vous que la machine est stable.
- ◆ Veillez à garder les poignées sèches et propres, exemptes d'huile ou de graisse.
- ◆ Maintenez la zone autour de la machine propre. Ne laissez aucun matériau traîner, comme par exemple des copeaux et des chutes de bois.
- ◆ Assurez-vous du bon éclairage de la machine et de la zone de travail.
- ◆ Ne laissez pas les personnes non initiées utiliser cette machine.
- ◆ Assurez-vous que la lame est correctement installée avant chaque utilisation. Assurez-vous que la lame tourne dans le bon sens. Gardez la lame bien affûtée. Suivez les instructions pour le graissage et le changement des accessoires.
- ◆ Assurez-vous que la vitesse indiquée sur la lame de scie est au moins égale à la vitesse indiquée sur la scie.
- ◆ Débranchez toujours la machine avant d'effectuer toute opération de maintenance ou de changer la lame.
- ◆ N'effectuez jamais aucune opération de nettoyage ou de maintenance et ne retirez jamais aucune chute de bois ou autre morceau de l'ouvrage dans la zone de coupe, tant que la machine est en marche et que la tête de scie n'est pas à l'arrêt complet.

- ◆ Assurez-vous que toutes les poignées et boutons de verrouillage sont correctement serrés avant de commencer une quelconque opération.
- ◆ Ne tentez jamais d'arrêter rapidement la machine en coinçant un outil ou tout autre chose contre la lame. Cela pourrait provoquer de graves accidents.
- ◆ Lisez le manuel d'utilisation avant d'utiliser la machine ou d'installer un accessoire. L'utilisation incorrecte d'un accessoire peut provoquer des dommages.
- ◆ N'abîmez jamais les mentions d'avertissement figurant sur l'outil électrique.
- ◆ Ne montez jamais sur l'outil électrique. De graves blessures pourraient être occasionnées si l'outil électrique devait basculer ou en cas de contact avec la lame de la scie.
- ◆ Après une coupe, ne touchez jamais la lame de la scie avant qu'elle n'ait refroidi. La lame chauffe énormément pendant la coupe.
- ◆ Afin d'éviter toute blessure due à la projection de copeaux, débranchez d'abord la scie afin d'éviter tout démarrage accidentel, puis retirez les petits copeaux.
- ◆ Veillez à ce le couteau diviseur soit réglé à la bonne distance par rapport à la lame.

Avertissement ! Veillez à toujours contrôler que le couteau diviseur est bien verrouillé en place et correctement aligné par rapport à la lame, avant chaque utilisation et après toute opération de maintenance.

- ◆ Avant l'utilisation et après toute opération de maintenance, contrôlez le bon fonctionnement du carter de protection. Cette vérification doit être réalisée alors que la scie est éteinte et débranchée. Si le carter de protection ne fonctionne pas correctement, faites réparer votre outil électrique par un réparateur qualifié. Appelez le service client de BLACK+DECKER pour trouver le technicien le plus proche.
- ◆ **Cette scie sur table a été conçue pour scier le bois, le plastique et les métaux non ferreux uniquement.** N'utilisez pas la scie pour scier des matériaux différents de ceux recommandés par le fabricant.
- ◆ Après une coupe, ne touchez jamais la lame de la scie avant qu'elle n'ait refroidi. La lame chauffe énormément pendant la coupe.



Avertissement ! La découpe de plastique, de bois recouvert de sève et d'autres matériaux peut provoquer l'accumulation de matière fondue sur les pointes et le corps de la lame de scie, augmentant ainsi le risque de surchauffe et de grippage de la lame pendant la découpe.

Risques résiduels

Les risques suivants sont inhérents à l'utilisation des scies :

Malgré le respect de toutes les réglementations pertinentes sur la sécurité et la mise en œuvre de dispositifs de sécurité, certains risques résiduels ne peuvent pas être évités. Ils comprennent :

- ◆ Les blessures dues au contact avec des pièces mobiles/ en rotation.
- ◆ Les troubles de l'ouïe.
- ◆ Les risques d'accidents dus aux éléments à nu de la lame de scie en mouvement.
- ◆ Les risques de blessures dus au changement de pièces, de lames ou d'accessoires.
- ◆ Le risque de coincement des doigts au moment de l'ouverture des carters de protection.
- ◆ Les risques pour la santé dus à l'inhalation des sciures de bois, et notamment de chêne, hêtre et de MDF.
- ◆ Les blessures dues à l'utilisation prolongée d'un outil. Lorsque vous utilisez un outil quel qu'il soit pendant de longues périodes, veillez à faire des pauses régulières.

Le bruit

Les valeurs de bruit émis déclarées ont été mesurées selon une méthode de test standard et elle peuvent être utilisées pour comparer un outil à un autre.

Les valeurs de bruit émis déclarées peuvent également être utilisées pour une évaluation préliminaire à l'exposition.

Avertissement ! Le bruit émis pendant l'utilisation réelle de l'outil électrique peut différer des valeurs déclarées en fonction de la façon dont l'outil est utilisé et tout particulièrement en fonction du type de pièce sciée.

Avertissement ! Portez toujours des protections auditives appropriées. Dans certaines circonstances et en fonction des durées d'utilisation, le bruit émis par ce produit peut contribuer à une perte de l'ouïe. Veuillez prendre note des facteurs suivants qui influencent l'exposition au bruit :

- ◆ L'utilisation de lames de scie conçues pour amoindrir le bruit émis,
- ◆ L'utilisation stricte de lames de scie bien affûtées, et
- ◆ L'utilisation de lames de scie spécifiquement conçues pour amoindrir le bruit.

Étiquettes apposées sur l'outil

Les pictogrammes suivants ainsi que le code date sont apposés sur l'outil :



Avertissement ! Afin de réduire le risque de blessures, l'utilisateur doit lire le manuel d'utilisation.



Portez des lunettes de protection



Portez des protections auditives



Portez un masque anti-poussière



Ce produit ne doit pas être utilisé par des enfants de moins de 16 ans



Gardez les mains loin de la lame



Portez des gants pour manipuler les lames de scie



N'exposez l'appareil ni à la pluie, ni à l'humidité.



Débranchez la prise de courant si le cordon est endommagé ou coincé.

Attention ! Veuillez à bien lire la notice d'utilisation pour savoir comment correctement régler et verrouiller le carter de protection et le couteau diviseur



Sécurité électrique



Cet outil est doublement isolé et ne nécessite donc aucun fil de liaison à la terre. Assurez-vous toujours que l'alimentation électrique correspond à la tension mentionnée sur la plaque signalétique.

- ◆ Si le câble d'alimentation est endommagé, il doit être remplacé par le fabricant ou par un centre d'assistance agréé Stanley FatMax pour éviter les risques éventuels.

Chutes de tension

Les appels de courant provoquent des micro-chutes de tension. Si l'état de l'alimentation électrique est défavorable, d'autres équipements peuvent en être affectés. Si l'impédance du circuit de l'alimentation électrique est inférieure à 0,361 Ω, les perturbations sont peu probables.

Utiliser une rallonge

Utilisez toujours une rallonge homologuée et adaptée à la puissance absorbée de cet outil (voir les caractéristiques techniques). Avant utilisation, vérifiez la rallonge et assurez-vous qu'elle ne présente aucun signe de dommage, d'usure ou de vieillissement. Remplacez la rallonge si elle est endommagée ou défectueuse.

Si vous utilisez un enrouleur de câble, déroulez toujours le câble complètement. L'utilisation d'une rallonge inadaptée à la puissance absorbée de l'outil ou qui est endommagée ou défectueuse présente un risque d'incendie ou de choc électrique.

Caractéristiques

Cet outil dispose de tout ou partie des éléments suivants.

1. Plateau de la scie
2. Carter de lame
- 2a. Rangement pour le carter de lame
3. Couteau diviseur
4. Lame de la scie
- 4a. Rangement pour lame de scie
5. Garde longitudinale
- 5a. Rangement pour garde longitudinale
6. Calibre à onglet
- 6a. Rangement pour calibre à onglet
7. Sac à poussière
8. Interrupteur Marche/Arrêt
9. Pied-support
10. Bouton de verrouillage du réglage du biseau
11. Poignée de relevage de la lame
12. Bouton de verrouillage du pied-support
13. Molette d'inclinaison de la lame
14. Poignée de verrouillage pour la rallonge de plateau
15. Poignée de verrouillage de la garde longitudinale
16. Rallonge de plateau
17. Tricoise X2
18. Rail de guidage
19. Bâton-poussoir
20. Insert du plateau
21. Protection contre les surcharges
22. Levier de réglage du support de pied
23. Câble électrique
24. Pattes de rangement pour le câble électrique

Assemblage

- ◆ Ouvrez le carton et sortez la scie.
- ◆ Placez la scie sur une surface homogène et plate, comme un établi ou un plateau solide par exemple.
- ◆ La machine est livrée avec la lame de scie (4) réglée à 45 degrés. Vous pouvez remettre la lame à 0 degré en suivant les instructions du paragraphe "Réglage l'angle de la lame" ci-dessous

Assembler les pieds (Fig. A, B et C)

Remarque : Les pieds-supports ont été conçues pour n'être assemblés que dans un seul sens. Veillez à ce que les pieds soient dirigés vers l'extérieur, comme illustré sur la couverture ou le schéma d'assemblage de la page 2.

- ◆ Dévissez et retirez les quatre boutons de verrouillage des pieds-supports (12), comme illustré par la figure A.

- ◆ Placez la scie à l'envers sur une surface stable, et insérez les pieds-supports (9), comme illustré par la figure B. Veillez à bien les orienter.
- ◆ Réinstallez les bouton de verrouillage des pieds-supports (12) en veillant à ce qu'ils traversent les trous dans les pieds-supports (9) et serrez-les fermement, comme illustré par la figure B.
- ◆ La scie sur table dispose d'un levier de réglage pour les pieds-supports (22) qui sert à compenser les irrégularités du sol, comme illustré par la figure C.

Installer le couteau diviseur (Fig. D, E et F)

Avertissement ! Le couteau diviseur (3) est livré dans la bonne position pour des coupes traversantes. Avant la première utilisation et avant de raccorder la machine à l'alimentation électrique, veillez cependant à ce que le couteau diviseur soit bien sécurisé, bien aligné avec la lame et à la bonne distance par rapport à la lame. Consultez la figure F. N'utilisez la machine que si le couteau diviseur (3) est en position haute, à moins que la scie soit utilisée pour des opérations de refente. LE CARTER DE PROTECTION DOIT ÊTRE RETIRÉ POUR LES OPÉRATIONS DE REFENTE. SOULEVEZ LE COUPEAU DIVISEUR ET RÉINSTALLEZ LE CARTER DE PROTECTION SITÔT APRÈS AVOIR TERMINÉ L'OPÉRATION QUI A NÉCESSITÉ LE RETRAIT DU CARTER DE PROTECTION OU L'ABAISSEMENT DU COUPEAU DIVISEUR. Pour régler le couteau diviseur (3) en position haute procédez comme suit :

- ◆ Retirez la vis de fixation (20a) de l'insert du plateau (20) et soulevez ce dernier loin de la scie, comme illustré par la figure D.
- ◆ Relevez l'ensemble lame de scie et couteau diviseur en tournant la poignée de relevage de la lame (11) dans le sens des aiguilles d'une montre, comme illustré par la figure E.
- ◆ Desserrez la poignée de verrouillage (3a) et tirez le couteau diviseur (3) en position haute, comme illustré par la figure F.
- ◆ Remplacez la poignée de verrouillage (3a) en position verrouillée.

Avertissement ! S'il est impossible de positionner la poignée de verrouillage (3a) dans la position de verrouillage au bas du quadrant (Fig. F), c'est que le couteau diviseur n'est sans doute pas bien situé.

Repositionnez le couteau diviseur et remplacez la poignée de verrouillage dans la position la plus basse du quadrant.

Avertissement ! La poignée de verrouillage (3A) doit se trouver dans le quadrant inférieur, sous la position horizontale pour être verrouillée. Consultez la Fig. F. Veillez soigneusement à ce que ce soit bien le cas.

Assembler le carter de lame (Fig. G)

Avertissement ! Le couteau diviseur doit être verrouillé en position haute avant d'installer le carter de protection. Le carter de protection ne doit pas être installée si le couteau diviseur se trouve en position basse ou s'il est verrouillé ainsi.

- ◆ Le carter de la lame (2) intègre une goupille de verrouillage à ressort (2c) qui permet de positionner et de verrouiller le carter sur le couteau diviseur (3). Le carter de protection doit être installé pour réduire le risque de blessure pendant les coupes traversantes.
- ◆ Relevez l'ensemble lame de scie et couteau diviseur en tournant la poignée de relevage de la lame (11) dans le sens inverse des aiguilles d'une montre comme illustré par la figure E.
- ◆ Placez la barre à l'arrière du carter de protection (2b) vers le bas et à l'arrière de l'emplacement du couteau diviseur (3b).
- ◆ Enfoncez la goupille de verrouillage (2c) et abaissez le carter pour l'aligner avec l'emplacement du couteau diviseur (3c)
- ◆ Relâchez la goupille de verrouillage et contrôlez que le carter de protection est bien sécurisé sur le couteau diviseur.
- ◆ L'utilisateur doit pouvoir retirer le carter du couteau diviseur en appuyant sur la goupille de verrouillage (2c) puis en soulevant le carter vers le haut.
- ◆ Tirez doucement le carter de protection vers le haut par rapport au couteau diviseur pour vous assurer qu'il est parfaitement installé.

Gestion des poussières

- ◆ Votre scie est livrée avec un sac à poussière (7) qui doit être fixé sur le raccord pour l'extraction des poussières à l'arrière de la machine (comme illustré sur la page 3) si vous n'utilisez pas d'aspirateur.
- ◆ Si vous souhaitez utiliser un aspirateur, le port du carter et le port à l'arrière peuvent servir pour des tuyau de 35mm. L'aspirateur doit être homologué pour l'aspiration des matières sur lesquelles vous travaillez.
- ◆ Si vous devez aspirer des poussières particulièrement nocives ou cancérigènes, utiliser un aspirateur de classe M.
- ◆ Assurez-vous que le tuyau d'aspiration des poussières utilisé est adapté à l'opération et aux matériaux à découper. Veillez à correctement gérer le tuyau d'aspiration

Installer/Remplacer une lame de scie (Fig. O)

Avertissement ! Veillez à toujours bien contrôler l'alignement du couteau diviseur et le bon fonctionnement des carters de protection après chacune des opérations de maintenance.

Avertissement ! Veillez à toujours contrôler que le couteau diviseur est bien verrouillé en place et correctement aligné par rapport à la lame, avant chaque utilisation et après toute opération de maintenance.

Le carter de protection doit être installé pour réaliser des coupes traversantes.

Avertissement ! Veillez à débrancher la machine de la source d'alimentation électrique. Portez des gants de protection.

- ◆ Désinstallez le carter de lame (2).
- ◆ Retirez le plateau de table (20).
- ◆ Desserrez l'écrou de la lame de scie en plaçant la clé tricoise (17) sur l'écrou et en forçant dans le sens inverse à l'aide d'une autre clé (17) sur la bride.

Avertissement ! Tournez l'écrou dans le sens de rotation de la lame de scie.

- ◆ Retirez la bride extérieure et sortez la lame de scie de la bride intérieure, par un mouvement diagonal vers le bas.
- ◆ Nettoyez soigneusement la bride avant d'installer la lame de scie neuve.
- ◆ Insérez la lame de scie neuve et fixez la bride extérieure.

Avertissement ! Les dents d'une lame neuve sont très tranchantes et elles peuvent être dangereuses. Veillez à ce que les dents pointent vers le bas à l'avant du plateau, alignées par rapport à la flèche marquée sur le carter de lame (2).

Avertissement ! Veillez à toujours bien contrôler l'alignement du couteau diviseur et le bon fonctionnement des carters de protection après chacune des opérations de maintenance.

Avertissement ! Veillez à toujours contrôler que le couteau diviseur est bien verrouillé en place et correctement aligné par rapport à la lame, avant chaque utilisation et après toute opération de maintenance. Le carter de protection doit être installé pour réaliser des coupes traversantes.

Interrupteur Marche/Arrêt (8)

- ◆ Pour mettre la machine en marche, soulevez le cache de la barrette noire et appuyez sur le bouton de démarrage vert.
- ◆ Pour éteindre la machine, appuyez sur la barrette noire.

Profondeur de coupe

Tournez la poignée de relevage de la lame (11) pour régler la lame à la profondeur de coupe voulue.

- ◆ Tournez dans le sens inverse des aiguilles d'une montre pour augmenter la profondeur de coupe.
- ◆ Tournez dans le sens des aiguilles d'une montre pour diminuer la profondeur de coupe.

Il est conseillé, après chaque réglage, de procéder à une coupe test afin de vérifier les réglages.

Remarque : La hauteur recommandée pour la lame de scie est 3,2 mm environ, au-dessus du haut de l'ouvrage.

Assembler la garde longitudinale (Fig. H et I)

- ◆ Fixez la garde longitudinale (5) à l'arrière et abaissez la poignée de verrouillage (15).
- ◆ Pour le démontage, relevez la poignée de verrouillage (15) et retirez la garde longitudinale (5).
- ◆ La garde longitudinale peut être fixée à l'aide de l'écrou moleté à l'arrière (5b).

Régler la largeur de coupe (Fig. J)

La garde longitudinale (5) sert pour les coupes longitudinales.

- ◆ Placez la garde longitudinale (5) sur le rail de guidage (18), du côté droit ou du côté gauche de la scie.
- ◆ La graduation sur le rail de guidage (18) peut être utilisé pour indiquer l'écartement entre le rail de la garde et la lame de la scie (4), uniquement si la rallonge du plateau n'est pas utilisée (Fig. L)
- ◆ Réglez la garde longitudinale (5) en fonction des spécifications nécessaires sur l'indicateur et fixez-la à l'aide de la poignée de verrouillage de la garde longitudinale (15).

Butée auxiliaire (Fig. J1)

Pour la découpe de pièces étroites et de coins biseautés, la butée auxiliaire (5c) doit être installée sur la garde longitudinale (5), comme illustré par la figure J1.

Pendant la découpe, les pièces étroites peuvent se coincer entre la garde longitudinale et la lame de la scie, être prises par la rotation de la lame et être projetées hors de la machine. C'est la raison pour laquelle vous devez régler la butée auxiliaire (5c) de sorte que son bord de guidage se trouve entre la dent avant de la lame de scie et l'extrémité avant du couteau diviseur.

Utiliser le calibre à onglet (Fig. K)

- ◆ Enfoncez le calibre à onglet dans la fente (1a) sur le plateau de la scie (1).
- ◆ Desserrez la poignée de verrouillage (6a).
- ◆ Tournez le calibre à onglet (6b) jusqu'à l'angle voulu.
- ◆ La graduation (6c) indique l'angle choisi.
- ◆ Resserrez la poignée de verrouillage (6a).

Rallonge de plateau (Fig. L)

La rallonge de plateau (16) est utile avec les ouvrages particulièrement larges.

- ◆ Desserrez la poignée de verrouillage (14) et tirez la rallonge de plateau à la longueur nécessaire.

Régler l'inclinaison de la lame (Fig. M)

Réglez l'angle de biseau requis entre 0 et 45 degrés.

- ◆ Desserrez le bouton de verrouillage du réglage du biseau (10).
- ◆ Poussez la molette d'inclinaison de la lame (13) et tournez jusqu'à l'angle voulu.

- ◆ Réglez l'angle voulu puis reverrouillez le bouton (10).

Instructions liées au travail

Il est conseillé, après chaque nouveau réglage, de procéder à une coupe test afin de contrôler que les réglages sont bons. Après avoir allumé la scie, patientez jusqu'à ce que la lame ait atteint sa vitesse maximum de rotation avant d'entamer la coupe.

Fixez les pièces longues pour éviter leur chute à la fin de la coupe (avec un support à rouleau par exemple). Soyez particulièrement vigilant à l'entame de la coupe !

Réalisation de coupes longitudinales

Les coupes longitudinales (également connues sous le nom de refentes) désignent une utilisation de la scie pour scier le long du grain du bois. Appuyez l'un des bords de l'ouvrage contre la garde longitudinale (5) avec le côté plate sur le plateau de la scie (1). Le carter de lame (2) doit toujours être abaissé par-dessus l'ouvrage. Pour les coupes longitudinales, ne vous placez jamais dans l'alignement du sens de coupe.

- ◆ Allumez la scie.
- ◆ Placez vos mains (doigts fermés) à plat sur l'ouvrage et poussez ce dernier tout du long dans la lame (4).
- ◆ Guidez l'ouvrage par le côté à l'aide de votre main gauche ou de votre main droite (en fonction de votre position) jusqu'à l'extrémité avant du carter de lame (2).
- ◆ Poussez toujours l'ouvrage complètement jusqu'à l'extrémité du couteau diviseur (3) en utilisant le bâton-poussoir (19), comme illustré par la figure N.
- ◆ La chute de pièce reste sur le plateau de la scie (1).
- ◆ Fixez les pièces longues pour éviter leur chute à la fin de la coupe avec un support à rouleau par exemple.

Avertissement ! Utilisez toujours le bâton-poussoir (19) pour scier dans leur longueur des petites pièces. Ne sciez pas de pièces extrêmement petites.

Coupes transversales

- ◆ Verrouillez le calibre à onglet (6) à 0 degré.
- ◆ Réglez l'angle de biseau à 0 degré.
- ◆ Réglez la hauteur de la lame de scie (4).
- ◆ Tenez la pièce à plat sur le plateau (1) et contre la garde. Maintenez la pièce éloignée de la lame.
- ◆ Gardez vos deux mains loin du parcours de la lame de scie.
- ◆ Mettez la machine en marche et laissez la lame de la scie atteindre sa vitesse maximum.
- ◆ Tenez fermement l'ouvrage contre la garde et déplacez doucement la pièce avec la garde jusqu'à ce que la pièce passe sous le carter de lame inférieur.
- ◆ Laissez les dents de la lame scier et ne forcez pas l'avancée de l'ouvrage sur la lame. La vitesse de la lame de scie doit être constante.

Une fois la coupe terminée, éteignez la machine, laissez la lame s'immobiliser et retirez la pièce sciée.

Avvertissement ! Ne poussez et ne reprenez jamais la partie sciée de la pièce.

Gérer un blocage de la lame

- ◆ Veillez à débrancher la machine de la source d'alimentation électrique.
- ◆ Retirez l'ouvrage. Faites attention à ne pas toucher la lame de la scie.
- ◆ Enfoncez le dispositif de protection contre les surcharges (21) et rebranchez la prise. La machine peut reprendre son travail.

Après utilisation

- ◆ Après utilisation, supprimez les copeaux et la poussière restés sur l'outil à l'aide d'un chiffon.
- ◆ Lubrifiez les parties coulissantes à l'aide d'une huile pour machine, pour empêcher qu'elles ne rouillent.

Protection de l'environnement



Tri sélectif. Les produits et piles/batteries marqués de ce symbole ne doivent pas être jetés avec les déchets ménagers.

Les produits et les piles/batteries contiennent des matières qui peuvent être récupérées et recyclées afin de réduire la demande en matières premières. Veillez à recycler les produits électriques et les piles/batteries conformément aux prescriptions locales en vigueur. Pour plus d'informations, consultez le site www.2helpU.com

Caractéristiques techniques

		BES720 Type 1
Tension	V	230
Fréquence	Hz	50
Puissance absorbée	W	1800
Vitesse à vide	/min	5200
Diamètre de la lame	mm	254
Épaisseur du corps de la lame	mm	2,0
Plage de trait de scie autorisée	mm	2,8
Taille de l'alésage	mm	30
Épaisseur du couteau diviseur	mm	2,5
Profondeur de coupe maxi à 45°	mm	58
Profondeur de coupe maxi à 90°	mm	80
Plage de biseau pour la lame		0 - 45°
Poids	kg	27,56

Niveau de pression sonore selon la norme EN 62841 :

L_{pA} (pression sonore) 95 dB(A), Incertitude (K) 3 dB(A)

Niveau de pression sonore selon la norme EN 62841 :

L_{WA} (puissance sonore) 108 dB(A), Incertitude (K) 3 dB(A)

Déclaration de conformité CE

DIRECTIVES MACHINES



Scie sur table BES720

Black & Decker déclare que les produits décrits dans les "Caractéristiques techniques" sont conformes aux normes : EN62841-1:2015, EN62841-3-9:2015+A11:2017,

Ces produits sont également conformes aux Directives 2006/42/CE, 2014/30/CE et 2011/65/UE.

Pour obtenir plus de précisions, veuillez contacter Black & Decker à l'adresse qui suit ou consulter la dernière page du manuel.

Le soussigné est responsable de la compilation du dossier technique il fait cette déclaration au nom de Black & Decker.

Patrick Diepenbach

Patrick Diepenbach
General Manager, Benelux
Black and Decker,
Egide Walschaertsstraat 14-18
2800 Mechelen, Belgique
21/05/2021

Garantie

Black & Decker est sûr de la qualité de ses produits et offre une garantie de 24 mois aux utilisateurs, à partir de la date d'achat. Cette garantie s'ajoute à vos droits légaux auxquels elle ne porte aucunement préjudice. Cette garantie est valable au sein des territoires des états membres de l'Union européenne et au sein de la zone européenne de libre-échange.

Pour prétendre à la garantie, la réclamation doit être en conformité avec les conditions générales de Black & Decker et vous devez fournir une preuve d'achat au vendeur ou au réparateur agréé. Les conditions générales de la garantie de 2 ans Black & Decker ainsi que l'adresse du réparateur agréé le plus proche sont disponibles sur le site Internet www.2helpU.com ou en contactant votre agence Black & Decker locale à l'adresse indiquée dans ce manuel.

Veillez consulter notre site Internet www.blackanddecker.eu pour enregistrer votre nouveau produit Black & Decker et pour être tenu informé des nouveaux produits et offres spéciales.

Uso previsto

La sega da banco BLACK+DECKER BES720 è stata progettata per l'esecuzione di tagli longitudinali e trasversali in tutti i tipi di legname, commisurati alle dimensioni della macchina. Questo utensile è destinato esclusivamente all'uso privato.

Istruzioni di sicurezza

Avvertenze di sicurezza generali per gli elettroutensili



Avvertenza! Leggere attentamente tutte le avvertenze, istruzioni, illustrazioni e specifiche fornite con l'elettroutensile. La mancata osservanza delle avvertenze e delle istruzioni seguenti può dar luogo a scosse elettriche, incendio e/o lesioni personali gravi.

Conservare tutte le avvertenze e le istruzioni per riferimenti futuri. Il termine "elettroutensile" utilizzato in tutte le avvertenze elencate di seguito fa riferimento sia agli utensili alimentati tramite una rete elettrica (con cavo) che agli utensili elettrici a batteria (senza cavo).

1. Sicurezza dell'area di lavoro

- Mantenere pulita e bene illuminata l'area di lavoro.** Gli ambienti disordinati o scarsamente illuminati favoriscono gli incidenti.
- Evitare di usare gli elettroutensili in ambienti esposti a rischio di esplosione, ad esempio in presenza di liquidi, gas o polveri infiammabili.** Gli elettroutensili generano scintille che potrebbero incendiare polveri o fumi.
- Tenere lontani bambini e altre persone presenti nelle vicinanze mentre si usa un elettroutensile.** Eventuali distrazioni possono provocare la perdita di controllo.

2. Sicurezza elettrica

- Le spine dell'elettroutensile devono essere adatte alla presa di corrente. Non modificare la spina in alcun modo. Non utilizzare spine con adattatore con un elettroutensile dotato di messa a terra.** Per ridurre il rischio di scosse elettriche evitare di modificare le spine e utilizzare sempre le prese di corrente appropriate.
- Evitare il contatto fisico con superfici collegate a terra, come tubi, radiatori, forni e frigoriferi.** Se il corpo dell'utilizzatore è collegato a terra, il rischio di scosse elettriche aumenta.
- Non esporre gli elettroutensili alla pioggia o all'umidità.** Se dovesse penetrare dell'acqua all'interno dell'elettroutensile, il rischio di scosse elettriche aumenta.
- Non utilizzare il cavo di alimentazione in modo improprio.**

Non spostare, tirare o scollegare mai l'elettroutensile dalla presa di corrente tirandolo dal cavo di alimentazione. Tenere il cavo di alimentazione lontano da fonti di calore, olio, bordi taglienti o parti in movimento. Se il cavo di alimentazione è danneggiato o impigliato, il rischio di scosse elettriche aumenta.

- Quando l'elettroutensile viene usato all'aperto, utilizzare unicamente prolunghe omologate per l'impiego all'esterno.** L'uso di un cavo idoneo per esterni riduce il rischio di scosse elettriche.
 - Se non è possibile evitare di utilizzare un elettroutensile in una zona umida, collegarsi a una rete elettrica protetta da un dispositivo a corrente residua (RCD).** L'uso di un RCD riduce il rischio di scosse elettriche.
- ### 3. Sicurezza personale
- Quando si utilizza un elettroutensile evitare di distrarsi. È importante concentrarsi su quello che si sta facendo e usare il buon senso. Non utilizzare l'elettroutensile quando si è stanchi o sotto l'effetto di sostanze stupefacenti, alcool o medicinali.** Un solo attimo di distrazione durante l'uso di un elettroutensile potrebbe provocare gravi lesioni personali.
 - Indossare dispositivi di protezione individuale. Indossare sempre occhiali di sicurezza.** L'impiego di dispositivi di protezione individuale, quali maschere antipolvere, scarpe antinfortunistiche antiscivolo, elmetti di sicurezza o protezioni per l'udito, nelle condizioni opportune, consente di ridurre le lesioni personali.
 - Prevenire l'avvio involontario. Accertarsi che l'interruttore sia nella posizione di spegnimento, prima di collegare l'elettroutensile alla rete elettrica e/o alla batteria, di prenderlo in mano o di trasportarlo.** Per non esporsi al rischio di incidenti, non trasportare l'elettroutensile tenendo le dita sull'interruttore e non collegarlo a una fonte di alimentazione elettrica con l'interruttore in posizione di accensione.
 - Prima di accendere l'elettroutensile, rimuovere eventuali chiavi o utensili di regolazione.** Un utensile di regolazione o una chiave inseriti in una parte rotante dell'elettroutensile possono provocare lesioni personali.
 - Non sbilanciarsi. Mantenere sempre un appoggio e un equilibrio adeguati.** In tal modo è possibile mantenere un migliore controllo dell'elettroutensile nelle situazioni impreviste.
 - Vestirsi in modo adeguato. Non indossare abiti larghi o gioielli. Tenere i capelli e gli indumenti lontano dalle parti mobili.** Abiti larghi, gioielli o capelli lunghi possono impigliarsi nelle parti in movimento.

- g. **Se gli elettroutensili sono provvisti di attacchi per il collegamento di dispositivi di aspirazione o di raccolta della polvere, assicurarsi che questi ultimi siano installati e utilizzati correttamente.** L'impiego di dispositivi di aspirazione delle polveri può ridurre i pericoli legati alle stesse.
- h. **Non lasciare che la familiarità acquisita dall'uso frequente degli elettroutensili induca a cedere alla tentazione di ignorare i principi di utilizzo sicuro degli stessi.** Un'azione imprudente potrebbe provocare lesioni personali gravi in una frazione di secondo.
4. **Uso e cura dell'elettroutensile**
- a. **Non forzare l'elettroutensile. Utilizzare l'elettroutensile corretto per il lavoro da eseguire.** L'elettroutensile corretto funziona meglio e in modo più sicuro, se utilizzato alla velocità per cui è stato progettato.
- b. **Non usare l'elettroutensile se l'interruttore di accensione/spengimento non funziona.** Qualsiasi elettroutensile che non possa essere controllato tramite l'interruttore è pericoloso e deve essere riparato.
- c. **Scollegare la spina dalla presa di corrente e/o il pacco batteria dall'elettroutensile, prima di effettuare qualsiasi tipo di regolazione, cambiare gli accessori o riporlo.** Queste misure di sicurezza preventive riducono il rischio di azionare accidentalmente l'elettroutensile.
- d. **Quando non vengono usati, gli elettroutensili devono essere custoditi fuori dalla portata dei bambini. Non consentire l'uso dell'elettroutensile a persone inesperte o che non abbiano letto questo manuale di istruzioni.** Gli elettroutensili sono pericolosi in mano a persone inesperte.
- e. **Eseguire la manutenzione degli elettroutensili e degli accessori. Verificare che le parti mobili siano correttamente allineate e non inceppate, che non vi siano componenti rotti e che non sussistano altre condizioni che possano compromettere il funzionamento dell'elettroutensile. Se l'elettroutensile è danneggiato, farlo riparare prima dell'uso.** Molti incidenti sono provocati da elettroutensili non sottoposti a una corretta manutenzione.
- f. **Mantenere affilati e puliti gli utensili da taglio.** La manutenzione corretta degli utensili da taglio con bordi affilati riduce le probabilità di inceppamento e ne facilita il controllo.
- g. **Utilizzare l'elettroutensile, gli accessori, le punte, ecc. in conformità a queste istruzioni, tenendo conto delle condizioni operative e del lavoro da eseguire.** L'utilizzo dell'elettroutensile per impieghi diversi da quelli previsti può provocare situazioni di pericolo.
- h. **Mantenere le impugnature e le superfici di presa asciutte, pulite e senza tracce di olio o grasso.**

Impugnature e superfici di presa scivolose e unte non consentono di maneggiare e controllare in modo sicuro l'elettroutensile nel caso di imprevisti.

5. Assistenza

- a. **L'elettroutensile deve essere riparato da personale qualificato, che utilizzi ricambi originali identici alle parti da sostituire.** In questo modo viene garantita la sicurezza dell'elettroutensile.

Istruzioni di sicurezza per le seghe da banco

1. Avvertenze riguardanti le protezioni

- a. **Mantenere le protezioni al loro posto. Le protezioni devono essere funzionanti e fissate correttamente.** Riparare o sostituire tutte le protezioni allentate, danneggiate o che non funzionano correttamente.
- b. **Utilizzare sempre la protezione della lama e il coltello divisore per ogni operazione di taglio passante.** Per le operazioni di taglio passante, in cui la lama della sega esegue un taglio attraverso l'intero spessore del pezzo da lavorare, la protezione e altri dispositivi di sicurezza aiutano a ridurre il rischio di lesioni alle persone.
- c. **Ripristinare immediatamente il sistema di protezione dopo aver completato un'operazione che richieda la rimozione della protezione e del coltello divisore, come ad esempio l'esecuzione di intagli, scanalature o rifiniture.** La protezione e il coltello divisore aiutano a ridurre il rischio di lesioni alle persone.
- d. **Assicurarsi che la lama non entri in contatto con la protezione, il coltello divisore o il pezzo da lavorare prima di accendere la sega tramite l'interruttore.** Il contatto involontario di questi oggetti con la lama della sega potrebbe causare condizioni pericolose.
- e. **Regolare il coltello divisore come descritto in questo manuale d'istruzioni.** La spaziatura, il posizionamento e l'allineamento del coltello divisore possono comprometterne la capacità di prevenzione dei contraccolpi.
- f. **Affinché il coltello divisore possa funzionare correttamente deve essere innestato nel pezzo in lavorazione.** Il coltello divisore è inefficace quando si tagliano pezzi troppo corti per innestarsi nel coltello. In queste condizioni non è possibile prevenire un eventuale contraccolpo generato dal coltello divisore.
- g. **Usare la lama da sega idonea per il coltello divisore.** Affinché il coltello divisore funzioni correttamente il diametro della lama deve corrispondere al coltello divisore appropriato, il corpo della lama deve avere uno spessore inferiore a quello del coltello divisore e la larghezza di taglio deve essere maggiore dello spessore del coltello divisore.

2. Avvertenze riguardanti le procedure di taglio

- a. **PERICOLO: non mettere mai le dita o le mani nelle vicinanze o in linea con la lama della sega.** Un attimo di disattenzione o uno scivolamento potrebbe dirigere la mano verso la lama e provocare gravi lesioni personali.
- b. **Fare avanzare il pezzo in lavorazione verso la lama solo nella direzione contraria al senso di rotazione.** Facendo avanzare il pezzo nella direzione di rotazione della lama al di sopra del piano, il pezzo in lavorazione e la mano potrebbero essere trascinati contro la lama.
- c. **Non utilizzare mai l'indicatore d'inclinazione per taglio obliquo per fare avanzare il pezzo in lavorazione contro la lama quando si esegue un taglio lungovena e non utilizzare la guida parallela come fermo per delimitare la lunghezza quando si esegue il taglio trasversale con l'indicatore d'inclinazione per taglio obliquo.** Guidare il pezzo in lavorazione con la guida parallela e l'indicatore d'inclinazione per taglio obliquo contemporaneamente aumenta la probabilità che la lama si inceppi e si verifichi un contraccolpo.
- d. **Quando si esegue un taglio lungovena, applicare sempre la forza di avanzamento del pezzo in lavorazione tra la guida e la lama. Quando la distanza tra la guida e la lama è inferiore a 150 mm utilizzare un'asta spingipezzo e usare un blocco spingipezzo quando tale distanza è inferiore a 50 mm.** Questi dispositivi manterranno la mano a distanza di sicurezza dalla lama.
- e. **Utilizzare solo l'asta spingipezzo fornita in dotazione dal produttore o costruita secondo le istruzioni.** Quest'asta spingipezzo assicura una distanza sufficiente della mano dalla lama della sega.
- f. **Non utilizzare mai un'asta spingipezzo danneggiata o tagliata.** Un'asta spingipezzo danneggiata potrebbe rompersi, facendo scivolare la mano contro la lama della sega.
- g. **Non eseguire alcuna operazione a mano libera. Utilizzare sempre la guida parallela o l'indicatore d'inclinazione per taglio obliquo per posizionare e guidare il pezzo in lavorazione.** Con l'espressione "a mano libera" si intende usare le mani per sostenere o guidare il pezzo in lavorazione, anziché una guida parallela o un indicatore d'inclinazione per taglio obliquo. Il taglio a mano libera conduce a possibili disallineamenti, inceppamenti e contraccolpi.
- h. **Non allungarsi mai attorno o sopra una lama mentre gira.** Allungarsi per arrivare a un pezzo può causare un contatto accidentale con la lama in movimento.
- i. **Prevedere l'uso di un supporto ausiliario del pezzo in lavorazione alla parte posteriore e/o ai lati del banco della sega per pezzi lunghi e/o larghi allo scopo di mantenerli in orizzontale.**

Un pezzo lungo e/o largo ha la tendenza a ruotare sul bordo del banco, causando la perdita di controllo, l'inceppamento e il contraccolpo della lama della sega.

- j. **Fare avanzare il pezzo in lavorazione contro la lama a un ritmo costante. Non piegare o torcere il pezzo in lavorazione. Se si verifica un inceppamento, spegnere immediatamente l'elettro utensile, scollegarlo dall'alimentazione elettrica e rimuovere l'inceppamento.** L'eventuale inceppamento della lama a causa del pezzo può causare contraccolpi o mandare in stallo il motore.
- k. **Non rimuovere pezzi di materiale tagliato mentre la sega è in funzione.** Il materiale potrebbe rimanere intrappolato tra la guida o all'interno della protezione e la lama potrebbe trascinare le dita dell'operatore contro la lama. Spegnerla la sega e attendere che la lama si arresti prima di rimuovere il materiale.
- l. **Utilizzare una guida ausiliaria a contatto con il piano del banco della sega quando si effettuano tagli paralleli in pezzi di spessore inferiore a 2 mm.** Un pezzo da tagliare sottile potrebbe incunarsi sotto la guida parallela e generare un contraccolpo.

3. Cause dei contraccolpi e avvertenze correlate

Il contraccolpo è una reazione improvvisa del pezzo in lavorazione che può verificarsi a causa di una lama schiacciata o inceppata o di una linea di taglio disallineata nel pezzo rispetto alla lama oppure quando una parte del pezzo in lavorazione si blocca tra la lama e la guida parallela o un altro oggetto fisso.

Durante un contraccolpo avviene spessissimo che il pezzo sia sollevato dal banco dalla parte posteriore della lama e sia spinto nella direzione dell'operatore.

Il contraccolpo è il risultato di un uso sbagliato della sega e/o di metodi o condizioni di lavoro scorretti e può essere evitato adottando le appropriate precauzioni descritte di seguito.

- a. **Non rimanere mai in piedi direttamente allineati alla lama della sega. Posizionare sempre il corpo sullo stesso lato della guida della lama.** Il contraccolpo potrebbe spingere il pezzo ad alta velocità verso chiunque si trovi davanti e in linea con la lama della sega.
- b. **Non allungarsi mai sopra o dietro la lama per tirare o sostenere il pezzo in lavorazione.** Potrebbe verificarsi un contatto accidentale con la lama o il contraccolpo potrebbe trascinare le dita contro la lama.
- c. **Non tenere mai fermo o premere il pezzo in lavorazione contro la lama mentre gira.** Premendo il pezzo da tagliare contro la lama si creano le condizioni per possibili inceppamenti e contraccolpi.
- d. **Allineare la guida in modo che sia parallela alla lama della sega.** Se la guida è disallineata stringe il pezzo in lavorazione contro la lama e crea contraccolpi.

- e. **Prestare particolare attenzione quando si effettua un taglio in aree cieche di pezzi assemblati.** La parte di lama sporgente potrebbe tagliare oggetti che possono provocare un contraccolpo.
- f. **Sostenere i pannelli di grandi dimensioni per minimizzare il rischio che la lama rimanga pinzata e provochi un contraccolpo.** I pannelli più grandi tendono a incurvarsi sotto il proprio peso. Il/i supporto/i deve/ devono essere posizionati sotto tutte le parti del pannello a sporgenti dal piano del banco sega.
- g. **Usare la massima cautela quando si taglia un pezzo torto, che presenta nodi, deformato o privo di un bordo dritto che possa essere guidato con un indicatore d'inclinazione per taglio obliquo o lungo la guida.** Un pezzo deformato, che presenta nodi o torto è instabile e causa disallineamenti del taglio e inceppamenti e contraccolpi della lama.
- h. **Non tagliare mai più pezzi impilati in verticale o in orizzontale.** La lama potrebbe raccogliere uno o più pezzi e causare un contraccolpo.
- i. **Quando si riavvia una sega con la lama nel pezzo, centrare la lama nel taglio e controllare che i denti della lama non facciano presa nel materiale.** Se la lama si inceppa potrebbe sollevare il pezzo in lavorazione e provocare un contraccolpo al riavvio della sega.
- j. **Mantenere le lame della sega pulite, affilate e correttamente inserite. Non usare mai lame deformate con denti rotti o incrinati.** Le lame affilate e correttamente regolate riducono al minimo inceppamenti, stalli e contraccolpi.
4. **Avvertenze riguardanti la procedura operativa della sega da banco**
- a. **Spegnere la sega da banco e scollegare il cavo di alimentazione quando si rimuove l'inserito del piano di lavoro, si sostituisce la lama della sega o si effettuano regolazioni sul coltello divisore o sulla protezione della lama, e quando la macchina viene lasciata incustodita.** Tali misure precauzionali eviteranno incidenti.
- b. **Non lasciare mai incustodita la sega da tavolo. Spegnerla e non abbandonarla fino a quando non sia completamente arrestata.** Una sega da banco in funzione incustodita costituisce un pericolo incontrollato.
- c. **Collocare la sega da banco in un'area ben illuminata e in piano, in cui l'utilizzatore possa mantenere un buon equilibrio e un appoggio saldo per i piedi. Dovrebbe essere installata in un'area in cui vi sia abbastanza spazio per gestire facilmente le dimensioni del pezzo in lavorazione.** Le aree anguste e buie e i pavimenti irregolari e scivolosi sono spesso causa di incidenti.
- d. **Pulire e rimuovere la segatura da sotto il banco della sega e/o il dispositivo di raccolta delle polveri con una certa frequenza.** La segatura accumulata è un materiale combustibile e potrebbe prendere fuoco.
- e. **Fissare la sega da banco.** Una sega da banco non adeguatamente fissata potrebbe spostarsi o ribaltarsi.
- f. **Rimuovere gli attrezzi, i residui di legno ecc. dal tavolo prima di accendere la sega da banco.** Un'eventuale distrazione o un potenziale inceppamento possono essere pericolosi.
- g. **Usare sempre lame con i fori di fissaggio di dimensioni e forma corrette (a forma di diamante o tondi).** Lame non adatte ai rispettivi elementi di fissaggio, avranno una rotazione eccentrica, causando la perdita di controllo della sega.
- h. **Non utilizzare mai elementi di fissaggio della lama, come flange, guarnizioni della lama, bulloni o dadi, danneggiati o errati.** Tali elementi di fissaggio sono stati progettati appositamente per questa sega, allo scopo di assicurare un utilizzo sicuro e prestazioni ottimali.
- i. **Non salire mai in piedi sulla sega da tavolo e non usarla come sgabello.** Se l'utensile dovesse capovolgersi oppure se si dovesse accidentalmente toccare la lama, potrebbero verificarsi lesioni personali gravi.
- j. **Verificare che la lama sia installata in modo da ruotare nella direzione corretta. Non utilizzare dischi per smerigliatura, spazzole metalliche o mole abrasive su una sega da banco.** L'installazione scorretta della lama o l'uso di accessori non raccomandati possono causare gravi lesioni personali.

Istruzioni di sicurezza aggiuntive per le seghe da banco

- ◆ L'uso previsto è descritto in questo manuale d'istruzioni. Se questo elettrooutensile viene usato con accessori o per usi diversi da quelli raccomandati in questo manuale, si potrebbero verificare lesioni a persone e/o danni alle cose.
- ◆ Non usare lame incrinati/piegate/danneggiate/deformate.
- ◆ Non usare lame di diametro maggiore o minore di quello consigliato. Per scegliere la lama adatta consultare i dati tecnici.



Avvertenza! Il contatto o l'inhalazione della polvere generata dalla segatura potrebbe nuocere alla salute dell'operatore e di eventuali presenti. Indossare una maschera antipolvere specifica per polveri e fumi e accertarsi che anche le persone presenti nell'area di lavoro o che vi entrano siano adeguatamente protette.

- ◆ Non lavorare con materiali contenenti amianto. L'amianto è considerato cancerogeno.

- ◆ Indossare dei guanti quando si maneggiano lame e materiali ruvidi (le lame dovrebbero essere trasportate in un porta lame, se possibile).
- ◆ Indossare protezioni acustiche per ridurre il rischio di perdita dell'udito indotta.
- ◆ Valutare la possibilità di usare le lame silenziate appositamente progettate.
- ◆ Indossare protezioni per gli occhi per ridurre il rischio di lesioni.
- ◆ Usare il sacchetto raccogli-polvere fornito quando si sega il legno.
- ◆ Selezionare la lama corretta per il materiale da tagliare.
- ◆ Non usare la sega senza aver montato la protezione. Non far funzionare la sega se la protezione non funziona e se non è stata sottoposta a regolare manutenzione.
- ◆ Prima di ogni taglio, assicurarsi che la macchina sia stabile.
- ◆ Mantenere le impugnature pulite e senza tracce di olio o grasso.
- ◆ Mantenere la zona circostante la sega pulita e libera di materiali sciolti, quali trucioli o altri materiali di scarto.
- ◆ Accertarsi che la sega e l'area di lavoro abbiano un'adeguata illuminazione sia generale, sia locale.
- ◆ Non permettere a personale non qualificato di far funzionare questa macchina.
- ◆ Verificare che la lama sia stata montata correttamente prima dell'impiego. Verificare che la lama ruoti nella direzione corretta. Mantenere la lama affilata. Seguire le istruzioni relative alla lubrificazione e alla sostituzione degli accessori.
- ◆ Assicurarsi che la velocità contrassegnata sulla lama sia almeno pari alla velocità indicata sulla sega.
- ◆ Prima di eseguire operazioni di manutenzione o durante la sostituzione della lama, scollegare la sega dall'alimentazione elettrica.
- ◆ Non eseguire mai interventi di pulizia, manutenzione e rimozione di materiale di scarto o altre parti del pezzo in lavorazione dalla zona di taglio mentre la sega è accesa e la testa della sega non si trova nella posizione di riposo.
- ◆ Verificare che tutte le manopole e le maniglie di bloccaggio siano ben salde prima di iniziare qualsiasi operazione di taglio.
- ◆ Non cercare mai di arrestare in maniera rapida la sega in moto, incastrando un utensile o qualsiasi altro oggetto contro la lama in quanto così facendo si possono causare involontariamente incidenti gravi.
- ◆ Prima di usare o di montare qualsiasi accessorio, consultare il manuale d'istruzioni. L'uso non corretto di un accessorio può causare danni.
- ◆ Non rendere mai illeggibili le avvertenze di pericolo sull'elettrotensile.
- ◆ Non stare mai in piedi sull'elettrotensile.

Si potrebbero causare o subire lesioni gravi se l'elettrotensile dovesse capovolgersi oppure in caso di contatto con la lama.

- ◆ Non afferrare la lama dopo un periodo di funzionamento e prima che si sia raffreddata. La lama diventa molto calda quando è in funzione.
- ◆ Per evitare lesioni a persone causate da materiali scagliati in aria, scollegare la sega dalla presa di corrente per prevenirne l'avvio accidentale e rimuovere tutti i materiali di piccole dimensioni.
- ◆ Assicurarsi che il coltello divisore sia regolato alla distanza corretta dalla lama.

Avvertenza! Controllare sempre che il coltello divisore sia bloccato in posizione e allineato alla lama prima di ciascun utilizzo e dopo qualsiasi intervento di manutenzione.

- ◆ Prima dell'impiego e dopo ogni intervento di manutenzione, controllare la protezione della lama per accertarsi che funzioni in modo corretto. Questo controllo deve essere eseguito con la sega spenta e scollegata dalla presa di corrente. Se la protezione non funziona in modo corretto, far riparare l'elettrotensile da un tecnico specializzato. Telefonare al centro assistenza BLACK+DECKER per ottenere l'indirizzo del tecnico autorizzato più vicino.
- ◆ **Questa sega da banco è stata progettata per segare solo legno, plastica e metalli non ferrosi.** Non utilizzare la sega per tagliare materiali diversi da quelli indicati dal produttore.
- ◆ Non afferrare la lama dopo un periodo di funzionamento e prima che si sia raffreddata. La lama diventa molto calda quando è in funzione.



Avvertenza! Il taglio di plastica, legno ricoperto di resina e altri materiali può causare l'accumulo del materiale sciolto sulle punte dei denti e sul corpo della lama della sega, aumentando il rischio di surriscaldamento e inceppamento della lama durante il taglio.

Rischi residui

I seguenti rischi sono inerenti all'uso delle seghe: Malgrado il rispetto delle norme di sicurezza pertinenti e l'implementazione di dispositivi di sicurezza, alcuni rischi residui non possono essere evitati. Tali rischi includono:

- ◆ lesioni personali causate dal contatto con parti rotanti/in movimento;
- ◆ menomazioni uditive;
- ◆ rischio di incidenti causati dalle parti scoperte della lama che gira;
- ◆ rischio di lesioni causate o subite durante la sostituzione di parti, lame o accessori;
- ◆ rischio di schiacciamento delle dita durante l'apertura delle protezioni;

- ◆ pericoli per la salute causati dall'inalazione delle polveri generate dal taglio del legno, in modo particolare quello di quercia e di faggio, e del MDF;
- ◆ lesioni personali causate dall'impiego prolungato di un elettrotensile; (quando si utilizza qualsiasi elettrotensile per lunghi periodi, accertarsi di fare regolarmente delle pause);

Rumorosità

I valori di emissione acustica dichiarati sono stati misurati attenendosi a un metodo di prova standard e possono essere usati come termine di paragone tra due utensili.

I valori di emissione acustica dichiarati possono essere usati anche come valutazione preliminare dell'esposizione al rumore.

Avvertenza! Il valore di emissione acustica durante l'impiego effettivo dell'elettrotensile può variare da quello dichiarato in base alle modalità d'uso e, in modo particolare, al tipo di pezzo in lavorazione.

Avvertenza! Indossare sempre protezioni acustiche.

In determinate condizioni di utilizzo prolungato, il rumore proveniente da questo prodotto potrebbe contribuire alla perdita dell'udito. Tenere in considerazione i seguenti fattori che influiscono sull'esposizione al rumore:

- ◆ utilizzare lame progettate per ridurre le emissioni acustiche;
- ◆ utilizzare solo lame ben affilate e
- ◆ utilizzare lame specificamente progettate per ridurre il rumore.

Etichette sull'elettrotensile

Sull'elettrotensile compaiono i seguenti pittogrammi, insieme al codice data:



Avvertenza! Per ridurre il rischio di lesioni personali, leggere attentamente il manuale d'istruzioni.



Indossare occhiali di sicurezza



Utilizzare protezioni acustiche



Indossare una maschera anti-polvere



Il presente prodotto non deve essere usato da bambini di età inferiore ai 16 anni



Tenere le mani lontane dalla lama



Indossare guanti quando si maneggiano le lame



Non esporre l'elettrotensile alla pioggia o a un'umidità intensa.



Scollegare la spina dalla presa di corrente se il cavo di alimentazione ha subito danni o è attorcigliato.



Attenzione! Leggere il manuale d'istruzioni per conoscere come eseguire la corretta regolazione e la procedura di bloccaggio della protezione e del coltello divisor.

Sicurezza elettrica



Il doppio isolamento di cui è provvisto l'elettrotensile rende superfluo il filo di terra. Assicurarsi che la tensione della rete di alimentazione corrisponda al valore indicato sulla targhetta dei valori nominali.

- ◆ In caso di danneggiamento del cavo di alimentazione, è necessario farlo riparare dal produttore o presso un centro di assistenza Stanley FatMax autorizzato, in modo da evitare rischi.

Caduta di tensione

Le correnti di inserzione causano brevi cadute di tensione.

Se le condizioni in cui l'alimentazione elettrica è erogata sono sfavorevoli, ciò potrebbe influire su altre attrezzature. Se l'impedenza massima dell'alimentazione di rete è inferiore a 0,361, è improbabile che si verifichino dei disturbi.

Utilizzo di un cavo di prolunga

Usare sempre un cavo di prolunga di tipo omologato, idoneo all'assorbimento di corrente di questo elettrotensile (vedere i dati tecnici). Prima dell'uso, ispezionare il cavo di prolunga per accertarsi che non presenti segni di danneggiamento, usura o invecchiamento. Sostituire il cavo di prolunga se è danneggiato o difettoso. Se si utilizza un avvolgicavo, estrarre il cavo per l'intera lunghezza. L'utilizzo di un cavo di prolunga non idoneo alla potenza nominale dell'elettrotensile, oppure danneggiato o difettoso, può essere causa di incendio e scosse elettriche.

Caratteristiche

Questo elettrotensile presenta alcune o tutte le seguenti caratteristiche.

1. Banco sega
2. Protezione lama
- 2a. Vano per protezione lama
3. Coltello divisore
4. Lama
- 4a. Vano per lama
5. Guida parallela
- 5a. Vano per guida parallela
6. Indicatore d'inclinazione per taglio obliquo
- 6a. Vano per indicatore d'inclinazione per taglio obliquo
7. Sacchetto raccogli-polvere
8. Interruttore di accensione/spegnimento
9. Cavalletto
10. Manopola di bloccaggio per regolazione inclinazione
11. Maniglia di sollevamento lama
12. Manopola di bloccaggio gambe cavalletto
13. Rotella di inclinazione lama
14. Maniglia di bloccaggio per piano di prolunga
15. Maniglia di bloccaggio per guida parallela
16. Piano di prolunga
17. Chiave inglese x2
18. Binario della guida
19. Asta spingipezzo
20. Inserto del banco
21. Dispositivo di protezione da sovraccarichi
22. Regolatore del livello cavalletto
23. Cavo di alimentazione
24. Linguettes per riporre il cavo di alimentazione

Assemblaggio

- ◆ Aprire la confezione ed estrarre la sega.
- ◆ Collocare la sega su una superficie piana e uniforme, ad esempio un banco da lavoro o un tavolo robusto.
- ◆ La sega viene fornita con la lama (4) regolata a un'inclinazione di 45°. Riportarla a 0° seguendo le istruzioni per la regolazione dell'inclinazione di taglio della lama.

Assemblaggio del cavalletto (Fig. A, B e C)

Nota: le gambe di supporto del cavalletto sono state progettate in modo da poter essere assemblate solo in un senso. Assicurarsi che le gambe siano sempre inclinate verso l'esterno, come mostrato sul coperchio anteriore e nel disegno di montaggio a pagina 2.

- ◆ Svitare e rimuovere tutte e quattro le manopole di bloccaggio delle gambe di supporto (12), come mostrato nella Figura A.

- ◆ Posizionare la sega da banco capovolta su una superficie stabile e inserire le gambe di supporto (9), come mostrato nella Figura B, assicurandosi che il loro orientamento sia corretto.
- ◆ Riposizionare le manopole di bloccaggio (12), assicurandosi che passino attraverso i fori delle gambe del supporto (9) e serrare saldamente, come mostrato nella Figura B.
- ◆ La sega da banco è dotata di un regolatore di livello del cavalletto (22), che può essere regolato in caso di pavimenti irregolari, come mostrato nella Figura C.

Installazione del coltello divisore (Fig. D, E e F)

Avvertenza! Alla consegna della macchina, il coltello divisore (3) dovrebbe trovarsi nella posizione corretta per l'esecuzione di tagli passanti. Tuttavia, prima del primo utilizzo e prima di collegare la sega alla corrente, assicurarsi che il coltello divisore sia ben fissato, perfettamente allineato con la lama e alla giusta distanza dalla stessa (vedere la Fig. F). Azionare la sega solo se il coltello divisore (3) è nella posizione superiore, a meno che la sega sia utilizzata per operazioni di taglio longitudinale. PER LE OPERAZIONI DI TAGLIO LONGITUDINALE LA PROTEZIONE DEVE ESSERE RIMOSSA. UNA VOLTA COMPLETATA QUALSIASI OPERAZIONE CHE RICHIEDA LA RIMOZIONE DELLA PROTEZIONE O L'ABBASSAMENTO DEL COLTELLO DIVISORE, SOLLEVARE IMMEDIATAMENTE IL COLTELLO DIVISORE E RIMONTARE LA PROTEZIONE. Per sistemare il coltello divisore (3) nella posizione superiore procedere come descritto di seguito.

- ◆ Rimuovere le vite di fissaggio (20a) sull'inserto del banco della sega (20) e sollevare l'inserto, come mostrato nella Figura D.
- ◆ Sollevare la lama della sega e il gruppo del coltello divisore ruotando la maniglia di sollevamento della lama (11) in senso orario, come mostrato nella Figura E.
- ◆ Allentare la maniglia di bloccaggio (3a) e tirare il coltello divisore (3) nella posizione superiore, come mostrato nella Figura F.
- ◆ Riportare la maniglia di bloccaggio (3a) nella posizione di blocco.

Avvertenza! Se la maniglia di bloccaggio (3a) non si trova nella posizione di bloccaggio nel quadrante inferiore (Fig. F), il coltello divisore potrebbe non essere posizionato correttamente.

Riposizionare il coltello divisore e riportare la maniglia di bloccaggio nella posizione del quadrante inferiore.

Avvertenza! La maniglia di bloccaggio (3A) deve trovarsi nel quadrante inferiore, al di sotto della posizione orizzontale, affinché il coltello divisore sia completamente bloccato (vedere la Fig. F). Controllare attentamente.

Montaggio della protezione della lama (Fig. G)

Avvertenza! Il coltello divisore deve essere bloccato nella posizione superiore prima di montare la protezione.

La protezione non deve essere montata quando il coltello divisore è collocato e bloccato nella posizione inferiore.

- ◆ La protezione della lama (2) è provvista di un perno di bloccaggio a molla (2c) per posizionare e fissare la protezione al coltello divisore (3). La protezione deve essere montata quando si eseguono tagli passanti per ridurre il rischio che si verifichino lesioni a persone.
- ◆ Sollevare la lama della sega e il gruppo del coltello divisore ruotando la maniglia di sollevamento della lama (11) in senso antiorario, come mostrato nella Figura E.
- ◆ Posizionare la barra nella parte posteriore della protezione (2b) verso il basso e sul retro della posizione del coltello divisore (3b).
- ◆ Premere il perno di bloccaggio (2c) e abbassare la protezione per allinearla con la posizione anteriore del coltello divisore (3c).
- ◆ Rilasciare il perno di bloccaggio e verificare che la protezione sia ben fissata sul coltello divisore.
- ◆ L'operatore dovrebbe essere in grado di rimuovere la protezione dal coltello divisore solo premendo il perno di bloccaggio (2c) e sollevando la protezione verso l'alto.
- ◆ Tirare delicatamente la protezione verso l'alto per assicurarsi che sia completamente fissata.

Gestione della polvere

- ◆ Questa sega è dotata di un sacchetto raccogli-polvere (7) che deve essere fissato alla presa per la raccolta della polvere sul retro dell'unità (come mostrato a pagina 3) se non si utilizza un aspiratore.
- ◆ Se si desidera utilizzare un aspiratore, sia l'apertura della protezione che la presa posteriore sono adatte per ugelli di 35 mm. L'aspiratore deve essere adatto al materiale lavorato.
 - ◆ In caso di aspirazione di polveri secche particolarmente dannose per la salute o cancerogene, utilizzare un aspiratore di classe M.
 - ◆ Assicurarsi che il tubo di aspirazione della polvere in uso sia adatto all'applicazione e al materiale da tagliare. Garantire una corretta gestione del tubo flessibile

Montaggio/sostituzione della lama della sega (Fig. O)

Avvertenza! Controllare sempre che il coltello divisore sia allineato e che le protezioni funzionino dopo ogni intervento di manutenzione.

Avvertenza! Controllare sempre che il coltello divisore sia bloccato in posizione e allineato alla lama prima di ciascun utilizzo e dopo qualsiasi intervento di manutenzione.

La protezione deve essere montata quando si eseguono tagli passanti.

Avvertenza! Assicurarsi che la sega sia scollegata dall'alimentazione elettrica. Indossare guanti di protezione.

- ◆ Smontare la protezione della lama (2).
- ◆ Rimuovere l'insero del banco (20).
- ◆ Allentare il dado della lama della sega posizionando la chiave inglese (17) sul dado e contrastando con un'altra chiave inglese (17) sulla flangia.

Avvertenza! Girare il dado nella direzione di rotazione della lama.

- ◆ Rimuovere la flangia esterna ed estrarre la lama dalla flangia interna, compiendo movimento diagonale verso il basso.
- ◆ Pulire accuratamente la flangia prima di fissare la nuova lama.
- ◆ Inserire la nuova lama e fissare la flangia esterna.

Avvertenza! I denti di una lama nuova sono molto affilati e possono essere pericolosi. Assicurarsi che i denti siano rivolti verso il basso nella parte anteriore del banco, allineati con la freccia contrassegnata sulla protezione della lama (2).

Avvertenza! Controllare sempre che il coltello divisore sia allineato e che le protezioni funzionino dopo ogni intervento di manutenzione.

Avvertenza! Controllare sempre che il coltello divisore sia bloccato in posizione e allineato alla lama prima di ciascun utilizzo e dopo qualsiasi intervento di manutenzione. La protezione deve essere montata quando si eseguono tagli passanti.

Interruttore di accensione/spegnimento (8)

- ◆ Per accendere la macchina, sollevare il coperchio della paletta nera e premere il pulsante di avvio verde.
- ◆ Per spegnere la macchina, premere la paletta nera.

Profondità di taglio

Ruotare la maniglia di sollevamento della lama (11) per impostare la lama alla profondità di taglio richiesta.

- ◆ Girare in senso antiorario per aumentare la profondità di taglio.
- ◆ Girare in senso orario per diminuire la profondità di taglio.

Dopo ogni nuova regolazione, è consigliabile eseguire un taglio di prova per verificare le dimensioni impostate.

Nota: si consiglia di sollevare la lama fino a circa 3,2 mm al di sopra della parte superiore del pezzo da lavorare.

Montaggio della guida parallela (Fig. H e I)

- ◆ Fissare la guida parallela (5) sul lato posteriore e premere la maniglia di bloccaggio (15) verso il basso.
- ◆ Durante lo smontaggio, tirare verso l'alto la maniglia di bloccaggio (15) e rimuovere la guida parallela (5).
- ◆ La guida parallela può essere serrata con il dado zigrinato posteriore (5b).

Impostazione della larghezza del taglio (Fig. J)

La guida parallela (5) viene utilizzata per il taglio longitudinale del materiale.

- ◆ Posizionare la guida parallela (5) sul binario della guida (18) a destra o a sinistra della lama della sega.
- ◆ La scala sul binario della guida (18) può essere utilizzata per mostrare lo spazio tra il binario della guida e la lama (4), solo quando il banco non è nella posizione allungata (Fig. L)
- ◆ Impostare la guida parallela (5) in base alla specifica richiesta sul vetro spia e fissarla con la maniglia di bloccaggio della guida parallela (15).

Fermo ausiliario (Fig. J1)

Quando si segano pezzi stretti e si effettuano tagli obliqui sulla guida parallela (5) deve essere montato il fermo ausiliario (5c), come mostra la Figura J1.

Quando si segano pezzi stretti possono incastrarsi tra la guida parallela e la lama della sega, rimanere intrappolati dalla rotazione della lama e essere lanciati lontano dalla macchina. Regolare quindi il fermo ausiliario (5c) in modo tale che il suo bordo di guida si trovi tra il dente anteriore della lama e l'estremità anteriore del coltello divisore.

Uso dell'indicatore d'inclinazione per taglio obliquo (Fig. K)

- ◆ Inserire l'indicatore d'inclinazione per taglio obliquo in una fessura (1a) sul banco della sega (1).
- ◆ Allentare la maniglia di bloccaggio (6a).
- ◆ Ruotare l'indicatore d'inclinazione per taglio obliquo (6b) fino a impostare l'angolo richiesto.
- ◆ La scala (6c) mostra l'angolo impostato.
- ◆ Stringere nuovamente la maniglia di bloccaggio (6a).

Piano di prolunga (Fig. L)

Il piano di prolunga (16) può essere utilizzata per i pezzi particolarmente larghi.

- ◆ Allentare la maniglia di bloccaggio (14) ed estrarre la prolunga del tavolo nel senso della larghezza alla lunghezza desiderata.

Regolazione dell'inclinazione di taglio della lama (Fig. M)

Impostare l'angolo d'inclinazione per il taglio obliquo richiesto da 0° a 45°.

- ◆ Allentare la manopola di regolazione dell'inclinazione (10).
- ◆ Spingere la rotella di inclinazione della lama (13) e ruotarla fino all'inclinazione desiderata.
- ◆ Impostare l'angolo d'inclinazione desiderato, quindi bloccare nuovamente la manopola (10).

Istruzioni operative

Dopo ogni nuova regolazione è consigliabile effettuare una prova per verificare le dimensioni impostate. Dopo aver acceso la sega, attendere che la lama raggiunga la sua massima velocità di rotazione prima di iniziare a tagliare. Fissare un pezzo lungo (per evitare che cada una volta terminato il taglio) con un supporto a rulli, ecc. Prestare particolare attenzione quando si avvia l'operazione di taglio!

Esecuzione di tagli longitudinali

Si esegue un taglio longitudinale (noto anche come taglio lungovena) quando si usa la sega per tagliare lungo la venatura del legno. Premere un bordo del pezzo in lavorazione contro la guida parallela (5) con il lato piatto rivolto verso il banco della sega (1). La protezione della lama (2) deve sempre essere abbassata sul pezzo in lavorazione. Quando si esegue un taglio longitudinale, non adottare mai una posizione di lavoro allineata con la direzione di taglio.

- ◆ Accendere la sega.
- ◆ Appoggiare le mani (con le dita chiuse) appiattite sul pezzo da lavorare e spingere il pezzo lungo e contro la lama (4).
- ◆ Guidarlo lateralmente con la mano sinistra o destra (a seconda della posizione), solo fino al bordo anteriore della protezione della lama (2).
- ◆ Spingere sempre il pezzo in lavorazione fino in fondo al coltello divisore (3) utilizzando l'asta spingipezzo (19), come mostrato nella Figura N.
- ◆ Il pezzo di scarto rimane sul banco della sega (1).
- ◆ Fissare un pezzo lungo (per evitare che cada una volta terminato il taglio) con un supporto a rulli, ecc.

Avvertenza! Utilizzare sempre un'asta spingipezzo (19) quando si effettuano tagli lungovena di piccoli pezzi. Non tagliare pezzi eccessivamente piccoli.

Taglio trasversale

- ◆ Bloccare l'indicatore dell'inclinazione per taglio obliquo (6) a 0 gradi.
- ◆ Impostare l'angolo di inclinazione su 0 gradi.
- ◆ Regolare l'altezza della lama (4).
- ◆ Tenere il pezzo in lavorazione in appoggiato sul banco (1) contro la guida. Tenere il pezzo in lavorazione lontano dalla lama.
- ◆ Tenere entrambe le mani lontano dal percorso della lama.
- ◆ Avviare la sega e attendere che la lama raggiunga la velocità massima.
- ◆ Tenere saldamente il pezzo in lavorazione contro la guida e spostarlo insieme al gruppo della guida fino a quando il pezzo non si trova sotto la protezione della lama superiore.
- ◆ Consentire il taglio da parte dei denti della lama senza forzare il pezzo attraverso la lama. La velocità della lama deve essere mantenuta costante.

Dopo aver completato il taglio, spegnere la macchina, lasciare che la lama si arresti e rimuovere il pezzo tagliato.

Avvertenza! Non spingere né trattenere mai il lato tagliato del pezzo in lavorazione.

Eliminazione di un inceppamento della lama

- ◆ Assicurarsi che la sega sia scollegata dall'alimentazione elettrica.
- ◆ Togliere il pezzo in lavorazione. Prestare attenzione di non toccare la lama con le mani.
- ◆ Premere il dispositivo di protezione da sovraccarichi (21) e collegare nuovamente la spina alla presa elettrica. La macchina potrà riprendere a funzionare.

Dopo l'uso

- ◆ Dopo l'uso, rimuovere i trucioli e la polvere che aderiscono alla sega con un panno o qualcosa di simile.
- ◆ Lubrificare le parti scorrevoli con olio per macchine per prevenire la formazione di ruggine.

Tutela ambientale



Raccolta differenziata. I prodotti e le batterie contrassegnati con questo simbolo non devono essere smaltiti con i rifiuti domestici normali.

Prodotti e batterie contengono materiali che possono essere recuperati o riciclati, riducendo la domanda di materie prime.

Riciclare i prodotti elettrici e le batterie attenendosi alle disposizioni locali vigenti. Ulteriori informazioni sono disponibili all'indirizzo www.2helpU.com.

Dati tecnici

		BES720 Tipo 1
Tensione	V	230
Frequenza	Hz	50
Potenza assorbita	W	1800
Velocità a vuoto	/min	5200
Diametro lama	mm	254
Spessore lama	mm	2,0
Range di larghezza taglio consentita	mm	2,8
Alesaggio	mm	30
Spessore coltello divisore	mm	2,5
Profondità di taglio max. a 45°	mm	58
Profondità di taglio max. a 90°	mm	80
Range di inclinazione lama per taglio obliquo		0 - 45°
Peso	kg	27,56

Livello di pressione sonora misurato in conformità alla norma EN 62841:

L_{pa} (pressione sonora) 95 dB(A), incertezza (K) 3 dB(A)

Livello di pressione sonora misurato in conformità alla norma EN 62841:

L_{wa} (pressione sonora) 108 dB(A), incertezza (K) 3 dB(A)

Dichiarazione di conformità CE

DIRETTIVA MACCHINE



Sega da banco BES720

Black & Decker dichiara che i prodotti descritti al paragrafo "Dati tecnici" sono conformi alle seguenti normative:

EN62841-1:2015, EN62841-3-9:2015+A11:2017-

Questi prodotti sono conformi alle Direttive 2006/42/CE, 2014/30/UE e 2011/65/UE.

Per ulteriori informazioni, contattare Black & Decker all'indirizzo indicato di seguito oppure consultare l'ultima di copertina del manuale.

Il firmatario è responsabile della redazione del presente documento tecnico e rilascia questa dichiarazione per conto di Black & Decker.

Patrick Diepenbach

Patrick Diepenbach
General Manager, Benelux
Black and Decker,
Egide Walschaertsstraat 14-18
2800 Mechelen, Belgio
21/05/2021

Garanzia

Black & Decker è certa della qualità dei propri prodotti e offre ai consumatori una garanzia di 24 mesi dalla data di acquisto. Il presente certificato di garanzia è complementare ai diritti legali e non li pregiudica in alcun modo. La garanzia è valida nei territori degli Stati membri dell'Unione Europea o dell'EFTA (Associazione europea di libero scambio).

Per attivare la garanzia, la richiesta di intervento e riparazione in garanzia deve essere effettuata in accordo con i Termini e condizioni Black&Decker e sarà necessario presentare la prova di acquisto al venditore o all'agente di riparazione autorizzato. I Termini e condizioni della garanzia Black&Decker di 2 anni e la sede dell'agente di riparazione autorizzato più vicino sono consultabili su Internet all'indirizzo www.2helpU.com, oppure è possibile contattare l'ufficio Black & Decker di zona all'indirizzo indicato in questo manuale. Visitare il nostro sito www.blackanddecker.it per registrare il prodotto Black&Decker appena acquistato e ricevere gli aggiornamenti su nuovi prodotti e offerte speciali.

Bedoeld gebruik

De BLACK+DECKER tafelzaag BES720 is ontworpen voor het zagen van hout en het afkorten van alle soorten timmerhout dat naar afmeting geschikt is voor de omvang van de machine. Dit gereedschap is uitsluitend bestemd voor consumentengebruik.

Veiligheidsinstructies

Algemene veiligheidswaarschuwingen voor elektrisch gereedschap



Waarschuwing! Lees alle veiligheidswaarschuwingen, instructies, illustraties en specificaties die bij dit gereedschap zijn meegeleverd. Wanneer de volgende waarschuwingen en voorschriften niet in acht worden genomen, kan dit een elektrische schok, brand of ernstig letsel tot gevolg hebben.

Bewaar alle waarschuwingen en instructies als referentiemateriaal.

De hierna gebruikte term 'elektrisch gereedschap' in alle waarschuwingen die hieronder worden vermeld, heeft betrekking op elektrisch gereedschap voor gebruik op netspanning (met netsnoer) of met een accu (snoerloos).

1. Veilige werkomgeving

- Houd uw werkomgeving schoon en goed verlicht.** Op rommelige of donkere plekken zullen sneller ongelukken gebeuren.
- Werk niet met elektrisch gereedschap in een omgeving met explosiegevaar, zoals in de nabijheid van brandbare vloeistoffen, gassen of stof.** Elektrisch gereedschap veroorzaakt vonken die het stof of de dampen kunnen doen ontbranden.
- Houd kinderen en omstanders tijdens het gebruik van elektrisch gereedschap op afstand.** Als u wordt afgeleid, kunt u de controle over het gereedschap verliezen.

2. Elektrische veiligheid

- De netstekker van het elektrisch gereedschap moet in het stopcontact passen. Pas de stekker nooit op enige manier aan. Gebruik geen adapterstekkers in combinatie met geaard elektrisch gereedschap.** Niet-aangepaste stekkers en passende contactdozen verminderen het risico van een elektrische schok.
- Vermijd aanraking van het lichaam met geaarde oppervlakken, bijvoorbeeld buizen, verwarmingen, fornuizen en koelkasten.** Er bestaat een verhoogd risico van een elektrische schok als uw lichaam contact heeft met aarde.
- Stel elektrisch gereedschap niet bloot aan regen en vocht.**

Als er water in elektrisch gereedschap binnendringt, verhoogt dit het risico van een elektrische schok.

- Behandel het snoer voorzichtig. Gebruik het snoer nooit om het elektrisch gereedschap te dragen of naar u toe te trekken, of de stekker uit het stopcontact te halen. Houd het snoer uit de buurt van warmtebronnen, olie, scherpe randen, of bewegende onderdelen.** Beschadigde snoeren of snoeren die in de war zijn geraakt, verhogen het risico van een elektrische schok.
 - Gebruik, wanneer u buitenshuis met elektrisch gereedschap werkt, alleen verlengsnoeren die zijn goedgekeurd voor gebruik buitenshuis.** Het gebruik van een verlengsnoer dat geschikt is voor binnen vermindert het risico van een elektrische schok.
 - Als u met elektrisch gereedschap werkt op een vochtige locatie, gebruik dan een aardlekschakelaar (RCD).** Het gebruik van een aardlekschakelaar vermindert het risico van een elektrische schok.
- #### 3. Persoonlijke veiligheid
- Blijf alert, let goed op wat u doet en ga met verstand te werk bij het gebruik van elektrisch gereedschap. Gebruik elektrisch gereedschap niet als u vermoeid bent of onder de invloed van drugs, alcohol of medicatie bent.** Een moment van onoplettendheid tijdens het werken met elektrisch gereedschap kan leiden tot ernstig persoonlijk letsel.
 - Draag persoonlijke beschermende uitrusting. Draag altijd oogbescherming.** Beschermende uitrusting, zoals een stofmasker, anti-slip veiligheidsschoenen, een helm, of gehoorbescherming, gebruikt in de juiste omstandigheden, zal het risico op persoonlijk letsel verminderen.
 - Voorkom per ongeluk inschakelen. Controleer, voor u de stekker in het stopcontact steekt en/of de accu plaatst, en voor u het gereedschap oppakt en draagt, dat de schakelaar in de uit-stand staat.** Het dragen van elektrisch gereedschap met uw vinger op de schakelaar of het aanzetten van elektrisch gereedschap waarvan de schakelaar aan staat, kan leiden tot ongelukken.
 - Verwijder stelsleutels of steeksleutels voordat u het elektrisch gereedschap inschakelt.** Een steeksleutel of een inbussleutel in een draaiend deel van het elektrisch gereedschap kan tot persoonlijk letsel leiden.
 - Reik niet buiten uw macht. Blijf altijd stevig en in balans op de grond staan.** Dit geeft u betere controle over het elektrisch gereedschap in onverwachte situaties.
 - Draag geschikte kleding. Draag geen loszittende kleding of sieraden. Houd uw haar en kleding weg bij bewegende onderdelen.** Loszittende kleding, sieraden of lang haar kunnen door bewegende delen worden gegrepen.

- g. **Als voorzieningen voor stofafzuiging of een stofreservoir kunnen worden gemonteerd, controleer dan dat deze zijn aangesloten en op de juiste wijze worden gebruikt.** Het gebruik van stofafzuiging kan aan stof gerelateerde gevaren verminderen.
- h. **Word niet gemakzuchtig doordat u door veelvuldig gebruik vertrouwd bent geraakt met het gereedschap, en verlies niet de veiligheidsbeginselen uit het oog.** Een onvoorzichtige handeling kan in een fractie van een seconde ernstig letsel tot gevolg hebben.
4. **Gebruik en onderhoud van elektrisch gereedschap**
- a. **Overbelast het elektrisch gereedschap niet. Gebruik het juiste elektrisch gereedschap voor uw toepassing.** Met het juiste elektrisch gereedschap kunt u de werkzaamheden waarvoor het gereedschap is ontworpen, beter en veiliger uitvoeren.
- b. **Gebruik het elektrisch gereedschap niet als de schakelaar niet goed werkt.** Ieder elektrisch gereedschap dat niet met de schakelaar kan worden bediend, is gevaarlijk en moet worden gerepareerd.
- c. **Trek de stekker uit het stopcontact en/of de accu uit het elektrisch gereedschap voordat u het gereedschap instelt, accessoires wisselt of het elektrisch gereedschap opbergt.** Dergelijke preventieve veiligheidsmaatregelen verminderen het risico dat het elektrisch gereedschap per ongeluk wordt gestart.
- d. **Bewaer elektrisch gereedschap dat niet wordt gebruikt, buiten bereik van kinderen. Laat personen die er niet vertrouwd mee zijn en deze aanwijzingen niet hebben gelezen niet met het gereedschap werken.** Elektrisch gereedschap is gevaarlijk in handen van ongetrainde gebruikers.
- e. **Onderhoud elektrisch gereedschap en accessoires goed. Controleer dat bewegende delen van het elektrisch gereedschap wel goed functioneren en niet klemmen, en dat er niet onderdelen zodanig zijn gebroken of beschadigd dat de werking van het gereedschap nadelig wordt beïnvloed. Laat het gereedschap voor gebruik repareren als het beschadigd is.** Veel ongelukken worden veroorzaakt door slecht onderhouden elektrisch gereedschap.
- f. **Houd zaag- en snijgereedschap scherp en schoon.** Goed onderhouden zaaggereedschap met scherpe snijvlakken loopt minder snel vast en is gemakkelijker onder controle te houden.
- g. **Gebruik elektrisch gereedschap, accessoires, zaagjes en boortjes, enz., volgens deze aanwijzingen. Let daarbij op de werkomstandigheden en de uit te voeren werkzaamheden.** Gebruik van het elektrisch gereedschap voor werkzaamheden die anders zijn dan bedoeld, kan leiden tot een gevaarlijke situatie.
- h. **Houd de handgrepen droog, schoon en vrij van olie en vet.** Gladde handgrepen en vette oppervlakken maken het moeilijk het gereedschap veilig te hanteren en onder controle te houden in onverwachte situaties.
5. **Service**
- a. **Laat het gereedschap alleen repareren door gekwalificeerd en vakkundig personeel en alleen met originele vervangingsonderdelen.** De veiligheid van het gereedschap blijft dan gewaarborgd.
- Veiligheidsinstructies voor tafelzagen**
1. **Waarschuwingen in verband met beschermkappen in acht nemen**
- a. **Houd beschermkappen op hun plaats. Beschermkappen moeten in goede werkende staat zijn en op de juiste wijze zijn gemonteerd.** Een beschermkap die los zit, beschadigd is of niet goed werkt, moet worden gerepareerd of worden vervangen.
- b. **Gebruik altijd de beschermkap voor het zaagblad en het spouwmes voor ieder zaagwerk.** Bij het volledig doorzagen van materiaal vaak bij het zaagblad het werkstuk doorzaagt, helpen de beschermkap en andere veiligheidsvoorzieningen het risico van letsel te voorkomen.
- c. **Bevestig onmiddellijk via het systeem van beschermkappen na het voltooiën van een zaagbewerking (zoals rabatzagen, het zagen van lambrisering of het opnieuw zagen van delen) waarbij de beschermkap en het spouwmes moeten worden verwijderd.** De beschermkap en het spouwmes helpen het risico van letsel te beperken.
- d. **Let erop dat het zaagblad geen contact maakt met de beschermkap, het spouwmes of het werkstuk voor u de schakelaar omzet.** Onbedoeld contact van deze items met het zaagblad kan een gevaarlijke situatie doen ontstaan.
- e. **Stel het spouwmes af zoals wordt beschreven in deze instructiehandleiding.** Een onjuiste afstand, positie en uitlijning kunnen tot gevolg hebben dat het spouwmes niet effectief is bij het voorkomen van terugslag.
- f. **Het spouwmes werkt alleen als het op het werkstuk wordt gezet.** Het spouwmes is niet effectief bij het zagen van de werkstukken die te kort zijn en niet kunnen worden vastgehouden door het spouwmes. Onder die omstandigheden kan terugslag niet door het spouwmes worden voorkomen.
- g. **Gebruik een zaagblad dat geschikt is voor het spouwmes.** Voor een juiste werking van het spouwmes moet de diameter van het zaagblad passen bij het spouwmes en het zaagblad moet dunner zijn dan het spouwmes, en de zaagbreedte van het zaagblad moet groter zijn dan de dikte van het spouwmes.

2. Waarschuwingen bij zaagprocedures

- a. **GEVAAR: Plaats nooit uw vingers of handen in de buurt van of in de lijn van het zaagblad.** Een ogenblik van onoplettendheid of een misgreep kan uw hand in de richting van het zaagblad brengen en ernstig persoonlijk letsel tot gevolg hebben.
- b. **Voer het werkstuk uitsluitend tegen de rotatierichting in het zaagblad.** Als u het werkstuk invoert in dezelfde richting als het zaagblad boven de zaagtafel draait, dan kan dat ertoe leiden dat het werkstuk, en uw hand, een hen zaagblad worden getrokken.
- c. **Voer nooit het werkstuk in met de verstekmeter wanneer u overlangs zaagt en gebruik niet de langsgeleiding als eindstop wanneer u afkortzaagsneden uitvoert met de verstekmeter.** Wanneer u het werkstuk tegelijkertijd leidt met de langsgeleiding en de verstekmeter, zal het zaagblad eerder vastlopen en zal eerder terugslag ontstaan.
- d. **Pas bij het overlangszagen altijd de aanvoerkraft toe tussen de geleiding en het zaagblad. Gebruik een aanduwstok wanneer de afstand tussen de geleiding en het zaagblad minder is dan 150 mm, en gebruik een aanduwblok wanneer deze afstand minder is dan 50 mm.** "Werkhulpjes" houden uw hand op veilige afstand van het zaagblad.
- e. **Gebruik uitsluitend de aanduwstok die is geleverd door de fabrikant of een aanduwstok die is geconstrueerd in overeenstemming met de instructies.** De aanduwstok zorgt voor voldoende afstand tussen de hand en het zaagblad.
- f. **Gebruik nooit een beschadigde of ingezaagde aanduwstok.** Een beschadigde aanduwstok kan breken waardoor uw hand tegen het zaagblad kan komen.
- g. **Gebruik het gereedschap niet uit de losse hand. Gebruik altijd de langsgeleiding of de verstekmeter bij het plaatsen en leiden van het werkstuk.** "Uit de losse hand" betekent dat u met uw handen het werkstuk ondersteunt of leidt, in plaats van met de langsgeleiding of de verstekmeter. Zagen uit de losse hand leidt tot verkeerde uitlijning, vastlopen en terugslag.
- h. **Reik nooit rond of over een roterend zaagblad.** Wanneer u uw hand uitsteekt naar een werkstuk kan dat ertoe leiden dat u per ongeluk in aanraking komt met het draaiende zaagblad.
- i. **Zorg voor extra ondersteuning van het werkstuk aan de achterzijde en/of aan de zijanten van het zaagtafel voor lange en/of brede werkstukken, zodat deze vlak blijven liggen.** Een lang en/of breed werkstuk heeft de neiging over de rand van de tafel te kantelen, waardoor verlies van controle, vastlopen van het zaagblad en terugslag kunnen ontstaan.
- j. **Voer het werkstuk met een gelijkmatige snelheid in. Buig of draai het werkstuk niet.**

Als het werkstuk bekneld raakte, schakel het gereedschap dan onmiddellijk uit, trek de stekker uit het stopcontact en verhelp de beknelling. Wanneer het zaagblad door het werkstuk bekneld raakt, kan dat leiden tot terugslag of vastlopen van de motor.

- k. **Verwijder geen delen van afgezaagd materiaal zolang de zaag loopt.** Het materiaal kan vast komen te zitten tussen de geleiding of binnen in de zaagbladbeschermer en uw vingers kunnen in het zaagblad worden getrokken. Schakel de zaag uit, wacht tot het zaagblad tot stilstand is gekomen en verwijder dan pas het materiaal.
- l. **Gebruik een hulpstuk dat contact maakt met de bovenzijde van de zaagtafel wanneer u werkstukken van minder dan 2 mm afkort.** Een dun werkstuk kan als een wig werken onder de langsgeleiding en terugslag veroorzaken.

3. Oorzaken van terugslag en gerelateerde waarschuwingen

Terugslag is een plotselinge reactie van het werkstuk ten gevolge van een bekneld, vastgelopen zaagblad of een niet goed ten opzichte van het zaagblad in het werkstuk uitgelijnde zaaglijn of wanneer een deel van het werkstuk vastloopt tussen het zaagblad en de langsgeleiding of een ander vast voorwerp.

Meestal wordt bij terugslag het werkstuk door het achterste gedeelte van het zaagblad uit de zaagtafel getild en in de richting van de gebruiker geslingerd.

Terugslag is het gevolg van een verkeerd gebruik en/of onjuiste gebruiksomstandigheden van de zaag en kan worden voorkomen door geschikte voorzorgsmaatregelen te nemen, zoals hieronder wordt vermeld.

- a. **Ga nooit direct in een lijn met het zaagblad staan. Plaats uw lichaam altijd aan dezelfde zijde van het zaagblad als de geleiding.** Terugslag kan het werkstuk met hoge snelheid in de richting van iemand die voor en op een lijn met het zaagblad staat.
- b. **Reik nooit over of achter het zaagblad voor het lostrekken of ondersteunen van het werkstuk.** Uw hand kan per ongeluk in contact komen met het zaagblad of terugslag kan uw vingers in het zaagblad trekken.
- c. **Houd en druk het werkstuk dat wordt gezaagd nooit tegen het roterende zaagblad.** Wanneer het werkstuk dat wordt afgezaagd, tegen het zaagblad wordt gedrukt, kan dat ertoe leiden dat het werkstuk vastloopt en terugslaat.
- d. **Plaats de geleiding op een lijn met het zaagblad.** Een niet goed uitgelijnde geleiding zal het werkstuk tegen het zaagblad knellen en terugslag veroorzaken.
- e. **Ga extra voorzichtig te werk wanneer u een zaagsnede uitvoert in verborgen delen van samengestelde werkstukken.**

Het uitstekende zaagblad kan zagen in voorwerpen die terugslag veroorzaken.

- f. **Ondersteun grote panelen zodat het risico van het vastlopen van het zaagblad en van terugslag tot een minimum worden beperkt.** Grote panelen zakken vaak door onder hun eigen gewicht. U moet ondersteunend materiaal plaatsen onder alle delen van het paneel die over het tafelblad hangen.
- g. **Ga extra voorzichtig te werk wanneer u een werkstuk zaagt dat gedraaid of krom is of knoesten heeft of geen rechte rand heeft waarmee het langs een verstekmeter of een geleiding kan worden gevoerd.** Een krom, knoestig of gedraaid werkstuk is instabiel en veroorzaakt verkeerde uitlijning van de zaagsnede met het zaagblad, vastlopen en terugslag.
- h. **Zaag nooit twee of meer werkstukken, verticaal of horizontaal gestapeld.** Het zaagblad kan een of meer delen optillen en dat kan terugslag veroorzaken.
- i. **Centreer, wanneer u een zaag opnieuw start in het werkstuk, het zaagblad in de zaagsnede zodat de zaagtanden niet in het materiaal vastzitten.** Als het zaagblad vast komt te zitten, kan het het werkstuk optillen of een terugslag geven wanneer de zaag opnieuw wordt gestart.
- i. **Houd zaagbladen schoon, scherp en voldoende gezet. Gebruik nooit kromme zaagbladen of zaagbladen met gescheurde of gebroken tanden.** Scherpe en goed gezette zaagbladen beperken vastlopen, haperen en terugslag tot een minimum.

4. Waarschuwingen voor procedures bij het werken met de tafelzaag

- a. **Schakel een tafelzaag uit en trek de stekker uit het stopcontact wanneer u de tafelinzet verwijdert, het zaagblad wisselt of de instelling van het spouwmes of de zaagbladbeschermer wijzigt, en wanneer u de machine onbeheerd achterlaat.** Voorzorgsmaatregelen voorkomen ongelukken.
- b. **Laat de tafelzaag nooit onbeheerd achter terwijl deze draait. Schakel de zaag uit en laat het gereedschap pas achter wanneer het volledig tot stilstand is gekomen.** Een draaiende zaag die onbeheerd wordt achtergelaten is een niet te overzien gevaar.
- c. **Plaats de tafel zaag op een goed-verlichte plaats op een vlak oppervlak waar u stevig en in evenwicht kunt staan. Het gereedschap moet worden geïnstalleerd op een plaats die voldoende ruimte biedt voor het gemakkelijk hanteren van de omvang van het werkstuk.** In te krappe, donkere ruimten en op ongelijke, gladde vloeren zullen snel ongelukken gebeuren.
- d. **Ruim en verwijder vaak zaagsel van onder de zaagtafel en/of het toestel voor stofafzuiging.**

Verzameld zaagsel is brandbaar en kan zelf tot ontbranding komen.

- e. **De tafelzaag moet stevig worden vastgezet.** Een tafelzaag die niet goed vast, staat kan bewegen en omvallen.
- f. **Verwijder gereedschap, stukjes hout, enz. van de tafel voordat u de tafelzaag inschakelt.** Afleiding of mogelijk vastlopen kan gevaarlijk zijn.
- g. **Gebruik altijd zaagbladen van de juiste afmeting en vorm (ruitvormig tegenover rond) van het asgat.** Zaagbladen die niet passen bij de montagevoorziening van de zaag, zullen excentrisch lopen, waardoor verlies van controle kan optreden.
- h. **Gebruik nooit een beschadigd montage-onderdeel van het zaagblad, zoals flenzen, zaagbladringen, bouten of moeren.** Deze montage-onderdelen zijn speciaal ontworpen voor uw zaag, ten behoeve van een veilige werking en optimale prestaties.
- i. **Ga nooit op de tafelzaag staan, gebruik deze niet als opstapje.** U kunt zich ernstig verwonden als het gereedschap omvalt of als u per ongeluk het zaaggereedschap aanraakt.
- j. **Het is belangrijk dat het zaagblad zo is geïnstalleerd dat het in de juiste richting draait. Gebruik geen slijpschijven, draadborstels of schuurschijven op een tafelzaag.** Een onjuiste installatie van het zaagblad of gebruik van accessoires die niet worden aanbevolen kan ernstig letsel veroorzaken.

Aanvullende veiligheidsinstructies voor tafelzagen

- ◆ Het bedoeld gebruik wordt beschreven in deze instructiehandleiding. Het gebruik van andere accessoires of hulpstukken dan wel de uitvoering van andere handelingen met dit gereedschap dan in deze gebruikershandleiding worden aanbevolen, kan tot persoonlijk letsel en/of materiële schade leiden.
- ◆ Gebruik geen gescheurde/verbogen/beschadigde/vervormde zaagbladen.
- ◆ Gebruik geen zaagbladen met een grotere of kleinere diameter dan wordt aanbevolen. Raadpleeg de technische gegevens voor de juiste afmetingen van het zaagblad.



Waarschuwing! Contact met of inademing van het stof dat bij zaagtoepassingen vrijkomt, kan de gezondheid van de gebruiker en omstanders schaden. Draag een stofmasker dat speciaal is ontworpen ter bescherming tegen stof en dampen, en zorg ervoor dat andere personen op de werkplek ook zijn beschermd.

- ◆ Verwerk geen materiaal dat asbest bevat. Asbest wordt beschouwd als een kankerwekkende stof.

- ◆ Draag handschoenen wanneer u zaagbladen en ruwe materialen vasthoudt (zaagbladen moeten in een houder worden vervoerd, wanneer dat praktisch mogelijk is).
- ◆ Draag gehoorbescherming zodat het risico van gehoorverlies wordt verminderd.
- ◆ Overweeg het gebruik van speciaal ontworpen zaagbladen die minder geluid maken.
- ◆ Draag bescherming van uw ogen zodat het risico van persoonlijk letsel wordt beperkt.
- ◆ Gebruik de bijgeleverde stofzak wanneer u hout zaagt.
- ◆ Selecteer het juiste zaagblad voor het materiaal dat u wilt zagen.
- ◆ Gebruik de machine niet als de beschermkap niet is aangebracht. Gebruik de machine niet als de beschermkap niet werkt of niet goed is onderhouden.
- ◆ Controleer voor iedere zaagsnede dat de machine stabiel is.
- ◆ Houd de handvatten droog, schoon en vrij van olie en vet.
- ◆ Houd de ruimte rond de machine schoon en vrij van losse materialen zoals spaanders en zaagresten.
- ◆ Zorg dat de machine en de werkuimte goed worden verlicht met centrale verlichting of verlichting op de werkplek.
- ◆ Zorg dat de machine uitsluitend wordt bediend door mensen die daarvoor zijn opgeleid.
- ◆ Controleer vóór gebruik altijd of het zaagblad correct is aangebracht. Het is belangrijk dat het zaagblad in de juiste richting draait. Houd het zaagblad scherp. Volg de instructies voor het smeren en het vervangen van accessoires.
- ◆ Controleer dat de snelheid die op het zaagblad wordt vermeld, ten minste gelijk is aan de snelheid die op de zaag wordt vermeld.
- ◆ Trek altijd de stekker van de machine uit het stopcontact voor u onderhoudswerk uitvoert of het zaagblad wisselt.
- ◆ Voer nooit reinigings- of onderhoudswerkzaamheden uit en verwijder geen zaagresten of andere delen van het werkstuk uit het zaaggebied wanneer de machine draait of de zaagkop niet in de ruststand staat.
- ◆ Zorg dat alle vergrendelingsknoppen en handgrepen goed vastzitten voordat u de machine in gebruik neemt.
- ◆ Probeer nooit de draaiende machine snel te stoppen door een stuk gereedschap of een ander voorwerp tegen het zaagblad te duwen. Dit kan onbedoeld leiden tot ernstige ongevallen.
- ◆ Lees de gebruikershandleiding voordat u eventuele hulpstukken gebruikt of plaatst. Onjuist gebruik van een accessoire kan schade veroorzaken.
- ◆ Zorg dat de waarschuwingssymbolen op het elektrische gereedschap altijd goed zichtbaar blijven.
- ◆ Ga nooit op het elektrische gereedschap staan.

Wanneer het elektrische gereedschap omvalt of wanneer u in aanraking komt met het zaagblad, kan dit leiden tot ernstige verwondingen.

- ◆ Pak het zaagblad na werkzaamheden niet vast voordat het is afgekoeld. Het zaagblad wordt tijdens het werken heel heet.
- ◆ Voorkom letsel door wegschietend materiaal door eerst de stekker van het netsnoer van de zaag uit het stopcontact te trekken en daarna klein materiaal te verwijderen.
- ◆ Controleer dat het spouwmes is afgesteld op de juiste afstand van het zaagblad.

Waarschuwing! Controleer steeds voor gebruik en na eventuele onderhoudswerkzaamheden dat het spouwmes op zijn plaats is vergrendeld en is uitgelijnd met het zaagblad.

- ◆ Controleer voor en na alle onderhoudswerkzaamheden dat de beschermkap van de zaag goed werkt. Zorg ervoor dat de zaag is uitgeschakeld en de netstekker van de netspanning is losgekoppeld wanneer u deze test uitvoert. Laat het elektrisch gereedschap repareren door een gekwalificeerd servicecentrum als de beschermkap niet goed werkt. Informeer bij de klantenservice van BLACK+DECKER naar het dichtstbijzijnde servicecentrum.
- ◆ **Deze tafelzaag is uitsluitend ontworpen voor het zagen van hout, kunststof en non-ferrometaal.** Gebruik de zaag niet voor het zagen van andere materialen dan die de fabrikant aanbeveelt.
- ◆ Pak het zaagblad na werkzaamheden niet vast voordat het is afgekoeld. Het zaagblad wordt tijdens het werken heel heet.



Waarschuwing! Door het zagen van kunststoffen, nat hout en andere materialen kan zich gesmolten of gedroogd materiaal op de tip van het zaagblad en op het zaagblad zelf afzetten, waardoor het risico van oververhitting en van vastlopen van het zaagblad tijdens het zagen kan toenemen.

Overige risico's

De volgende risico's horen bij het gebruik van zagen: Zelfs wanneer de veiligheidsvoorschriften in acht worden genomen en de veiligheidsvoorzieningen worden gebruikt, kunnen bepaalde risico's niet worden uitgesloten. Dit zijn onder meer:

- ◆ Verwondingen die worden veroorzaakt door het aanraken van draaiende of bewegende onderdelen.
- ◆ Gehoorbeschadiging.
- ◆ Risico van ongelukken door de onbedekte delen van het ronddraaiende zaagblad.
- ◆ Risico van verwondingen bij het vervangen van onderdelen, zaagbladen of accessoires.

- ◆ Risico van het knellen van de vingers bij het openen van de beschermkappen.
- ◆ Gezondheidsrisico's door het inademen van zaagsel dat ontstaat bij het zagen van hout, in het bijzonder eiken, beuken en MDF.
- ◆ Letsel dat wordt veroorzaakt door langdurig gebruik van gereedschap. Wanneer u langere periodes met gereedschap werkt, kunt u het beste regelmatig een pauze nemen.

Geluid

De aangegeven geluidsemissiewaarden zijn gemeten conform een standaardtestmethode en kan worden gebruikt om gereedschappen met elkaar te vergelijken.

De aangegeven geluidsemissiewaarden kunnen ook worden gebruikt bij een voorlopige bepaling van blootstelling.

Waarschuwing! De geluidsemissie waarde tijdens het werkelijke gebruik van het elektrisch gereedschap kan afwijken van de aangegeven waarde, afhankelijk van de manier waarop het gereedschap wordt gebruikt en welk type werkstuk wordt bewerkt.

Waarschuwing! Draag altijd geschikte

gehoorbescherming. Onder bepaalde omstandigheden en bij een zekere gebruiksduur kan het lawaai van dit product leiden tot gehoorbeschadiging. Houd rekening met de volgende factoren die van invloed zijn bij de blootstelling aan lawaai:

- ◆ Gebruik zaagbladen die zo zijn ontworpen dat zij minder lawaai maken,
- ◆ Gebruik alleen goede, scherpe zaagbladen en
- ◆ Gebruik speciaal ontworpen geluidsreducerende zaagbladen.

Etiketten op het gereedschap

De volgende pictogrammen worden met de datumcode op het gereedschap weergegeven:



Waarschuwing! De gebruiker moet de instructiehandleiding lezen zodat het risico van letsel wordt beperkt.



Draag een veiligheidsbril of oogbescherming



Draag gehoorbescherming



Draag een stofmasker



Dit product mag niet worden gebruikt door kinderen onder de 16



Houd handen weg bij zaagblad



Draag handschoenen wanneer u zaagbladen vastpakt



Stel het apparaat niet bloot aan regen of een hoge luchtvochtigheid.



Trek de stekker uit het stopcontact wanneer het snoer beschadigd of in de war raakt.

Let op! Lees de instructiehandleiding voor de juiste afstelling en vergrendelingsprocedure van de beschermkap en het spouwmes.



Elektrische veiligheid



Dit gereedschap is dubbel geïsoleerd, daarom is een aardeaansluiting niet vereist. Controleer altijd dat de stroomvoorziening overeenkomt met de voltage op het typeplaatje.

- ◆ Als het netsnoer is beschadigd, moet dit, om ongelukken te voorkomen, worden vervangen door de fabrikant of in een officieel Stanley FatMax-servicecentrum.

Spanningsdalingen

Tijdens de stroomtoevoer kan zich soms een korte daling voordoen. Wanneer de stroomvoorziening niet optimaal is, kan dit invloed hebben op andere apparatuur. Als de systeemimpedantie van de netvoeding lager is dan 0,361 zullen zich waarschijnlijk geen storingen voordoen.

Een verlengsnoer gebruiken

Gebruik altijd een goedgekeurd verlengsnoer dat geschikt is voor het ingangsvermogen van dit apparaat (zie de technische gegevens). Controleer het verlengsnoer vóór gebruik op tekenen van beschadiging, slijtage of veroudering. Vervang het verlengsnoer als het beschadigd of defect is. Rol het snoer altijd volledig af, wanneer u een haspel gebruikt. Het gebruik van een verlengsnoer dat niet geschikt is voor het ingangsvermogen van het gereedschap of dat beschadigd of defect is, kan tot brandgevaar en elektrische schokken leiden.

Functies

Dit gereedschap is voorzien van enkele of alle van de volgende functies.

1. Zaagtafel

2. Zaagbladbeschermpak
- 2a. Opbergvak zaagbladbeschermpak
3. Spouwmes
4. Zaagblad
- 4a. Opbergvak voor zaagbladen
5. Langsgeleiding
- 5a. Opbergvak langsgeleiding
6. Verstekmeter
- 6a. Opbergvak verstekmeter
7. Stofzak
8. Aan/Uit-schakelaar
9. Schraag
10. Vergrendelknop afstelling schuine hoek
11. Hefhandgreep zaagblad
12. Vergrendelknop schraag
13. Kantelwiel zaagblad
14. Klemhandgreep voor uitschuiftafel
15. Klemhandgreep voor langsgeleiding
16. Uitschuiftafel
17. Steeksleutel X2
18. Geleiderail
19. Aanduwstok
20. Tafelinzet
21. Overbelastingsbeveiliging
22. Afstelling niveau schraag
23. Voedingskabel
24. Opbergknoppen voedingskabel

- ◆ De tafel wordt geleverd met een afstelling (22) van het niveau van de schragen, deze kan worden afgesteld zodat rekening wordt gehouden met onregelmatige vloeren, zoals wordt getoond in afbeelding C.

Installatie spouwmes (Afb. D, E & F)

Waarschuwing! Het spouwmes (3) moet voor het doorzagen in de juiste positie worden geleverd. Maar controleer vooral, vóór de eerste ingebruikname en voor u de machine op de stroomvoorziening aansluit, dat het spouwmes goed vast zit, op één lijn met het zaagblad en op de juiste afstand van het zaagblad - zie afb. F. Werk alleen met de machine als het spouwmes (3) in de bovenste stand staat, tenzij de zaag wordt gebruikt voor het zagen van sleuven. **DE BESCHERMKAP MOET VOOR HET ZAGEN VAN SLEUVEN WORDEN VERWIJDERD. BRENG HET SPOUWMES ONMIDDELIJK OMHOOG EN BEVESTIG DE BESCHERMKAP WEER NA HET UITVOEREN VAN ALLE WERKZAAMHEDEN WAARBIJ HET VERWIJDEREN VAN DE BESCHERMKAP OF HET OMLAAG BRENGEN VAN HET SPOUWMES NODIG IS.** Ga voor het monteren van het spouwmes (3) in de bovenste positie als volg te werk:

- ◆ Verwijder de borgschroef (20a) op de tafelinzet (20) en til de tafelinzet los van de zaag, zoals wordt getoond in afbeelding D.
- ◆ Breng het zaagblad en het spouwmes omhoog door de handgreep (11) voor het omhoog brengen van het zaagblad naar rechts te draaien, zoals wordt getoond in afbeelding E.
- ◆ Maak de handgreep (3a) voor de vergrendeling los en trek het spouwmes (3) in de bovenste positie, zoals wordt getoond in afbeelding F.
- ◆ Breng de handgreep (3a) voor de vergrendeling terug in de vergrendelde positie.

Waarschuwing! Als de handgreep (3a) voor het vergrendelen niet in de onderste kwadrantpositie (Afb. F) kan worden vergrendeld, is het spouwmes mogelijk niet goed geplaatst. Plaats het spouwmes weer en zet de handgreep voor vergrendeling in de onderste kwadrantpositie.

Waarschuwing! De Vergrendelingshandgreep (3A) Moet In De Onderste Kwadrant Staan, Onder de Horizontale Positie - Zie Afb F, Omdat De Handgreep Anders Niet Volledig Is Vergrendeld. Controleer dit zorgvuldig.

Zaagbladbeschermpak (Afb. G)

Waarschuwing! U moet eerst het spouwmes in de bovenste positie vergrendelen voor u de beschermkap monteert. U mag de beschermkap niet monteren wanneer het spouwmes in de onderste positie is geplaatst en vergrendeld.

- ◆ De beschermkap (2) van het zaagblad wordt geleverd met een geveerde vergrendelingspen (2c) zodat de beschermkap op het spouwmes (3) kan worden vastgezet.

Montage

- ◆ Open de doos en haal de zaag eruit.
- ◆ Plaats de zaag op een glad, vlak oppervlak, zoals een werkbank of een stevige tafel.
- ◆ Deze machine wordt geleverd met het zaagblad (4) afgesteld op 45 graden. Volg voor het terugzetten naar 0 graden de instructies bij De zaagbladhoek instellen hieronder

De schraag monteren (Afb. A, B & C)

Opmerking: De schragen zijn zo ontworpen dat zij maar op één manier kunnen worden gemonteerd, let erop dat de poten altijd naar buiten schuin aflopen, zoals wordt getoond in de afbeelding op de voorzijde en de montagetekening op pagina 2.

- ◆ Schroef alle vergrendelknoppen (12) los en verwijder ze, zoals wordt getoond in afbeelding A.
- ◆ Plaats de tafel ondersteboven op een stabiel oppervlak, en plaats de schragen (9), zoals wordt getoond in afbeelding B. Let op de juiste richting.
- ◆ Plaats de vergrendelknoppen (12) van de schragen weer en let er op dat ze door de gaten op de schragen (9) gaan, zet ze stevig vast, zoals wordt getoond in afbeelding B.

De beschermkap moet worden gemonteerd wanneer u afkortzaagsneden maakt, zodat het risico van letsel wordt beperkt.

- ◆ Breng het zaagblad en het spouwmes omhoog door de handgreep (11) voor het omhoog brengen van het zaagblad naar links te draaien, zoals wordt getoond in afbeelding E.
- ◆ Plaats de balk aan de achterzijde van de beschermkap (2b) omlaag naar de achterzijde van de plaats (3b) van het spouwmes.
- ◆ Plaats de vergrendelingspen (2c) en breng de beschermkap omlaag op één lijn met de voorste locatie (3c) van het spouwmes
- ◆ Maak de vergrendelingspen los en controleer dat de beschermkap stevig vastzit op het spouwmes.
- ◆ De gebruiker mag de beschermkap alleen van het spouwmes kunnen verwijderen door de vergrendelingspen (2c) in te drukken en de beschermkap omhoog te halen.
- ◆ Trek de beschermkap voorzichtig omhoog van het spouwmes, zodat u zeker weet dat de kap goed is gemonteerd.

Stofzuiging

- ◆ De zaag is voorzien van een stofzak (7) en deze moet op de stofzuigpoort aan de achterzijde van de unit worden gemonteerd (zoals wordt getoond op pagina 3), als u niet een stofzuiger gebruikt.
- ◆ Als u een stofzuiger wilt gebruiken, zijn zowel de poort op de beschermkap als de poort aan de achterzijde geschikt voor aansluitingen van 35mm. De stofzuiger moet geschikt zijn voor het materiaal dat u bewerkt.
 - ◆ Wanneer u droog stof opzuigt dat schadelijk is voor de gezondheid of kankerverwekkend, moet u een stofzuiger van de klasse M gebruiken.
 - ◆ Controleer dat de slang van het stofzuigstelsel geschikt is voor de toepassing en voor het materiaal dat wordt gezaagd. Zorg ervoor dat de slang niet vast komt te zitten of bekneld raakt

Montage/vervanging zaagblad (Afb. O)

Waarschuwing! Controleer steeds na ieder onderhoudswerk de uitlijning van het spouwmes en de functionaliteit van beschermkappen.

Waarschuwing! Controleer steeds voor gebruik en na eventuele onderhoudswerkzaamheden dat het spouwmes op zijn plaats is vergrendeld en is uitgelijnd met het zaagblad. De beschermkap moet worden gemonteerd wanneer u afkortzaagsneden maakt.

Waarschuwing! Controleer dat de machine is losgekoppeld van de stroomvoorziening. Draag veiligheidshandschoenen.

- ◆ Neem de zaagbladbeschermkap los (2).
- ◆ Verwijder de tafelinzet (20).

- ◆ Draai de zaagbladmoer los door de steeksleutel (17) op de moer te zetten en een andere steeksleutel (17) op de flens te zetten.

Waarschuwing! Draai de moer in de rotatierichting van het zaagblad.

- ◆ Verwijder de buitenste flens en neem het zaagblad uit de binnenste flens, met een diagonale naar beneden gerichte beweging.
- ◆ Maak de flens zorgvuldig schoon voordat u een nieuw zaagblad bevestigt.
- ◆ Plaats het nieuwe zaagblad en zet de buitenste flens vast.

Waarschuwing! De tanden van een nieuw zaagblad zijn zeer scherp en kunnen gevaarlijk zijn. Controleer dat de tanden omlaag wijzen aan de voorzijde van de tafel, uitgelijnd met de pijl die over de zaagbladbeschermkap (2) is gemarkeerd.

Waarschuwing! Controleer steeds na ieder onderhoudswerk de uitlijning van het spouwmes en de functionaliteit van beschermkappen.

Waarschuwing! Controleer steeds voor gebruik en na eventuele onderhoudswerkzaamheden dat het spouwmes op zijn plaats is vergrendeld en is uitgelijnd met het zaagblad. De beschermkap moet worden gemonteerd wanneer u afkortzaagsneden maakt.

Aan/uit-schakelaar (8)

- ◆ U kunt een machine een schakelen door de zwarte afdekklep op te tillen en op de groene startknop te drukken.
- ◆ U schakelt de machine uit door op de zwarte afdekklep te drukken.

Zaagdiepte

Draai de handgreep (11) voor het in hoogte afstellen van het zaagblad op de gewenste zaagdiepte.

- ◆ Draai naar links als u de zaagdiepte wilt laten toenemen.
- ◆ Draai naar rechts als u de zaagdiepte wilt laten afnemen.

Na iedere nieuwe afstelling is het raadzaam een proefzaagsnede uit te voeren ter controle van de ingestelde afmetingen.

Opmerking: De aanbevolen hoogte van het zaagblad is ongeveer 3,2 mm boven de bovenzijde van het werkstuk.

Montage van de langsgeleiding (Afb. H, & I)

- ◆ Bevestig de langsgeleiding (5) aan de achterzijde en druk de klemhandgreep (15) omlaag.
- ◆ Bij het demonteren trekt u de klemhandgreep (15) omhoog en verwijdert u de langsgeleiding (5).
- ◆ De langsgeleiding kan worden vastgezet met de achterste wartelmoer (5b).

De zaagbreedte instellen (Afb. J)

De langsgeleiding (5) wordt gebruikt voor het in de lengte zagen van materiaal.

- ◆ Plaats de langsgleiding (5) op de geleiderail (18) aan de linkerzijde of aan de rechterzijde van het zaagblad.
- ◆ Met de schaalverdeling van de geleiderail (18) kunt u de ruimte aangeven tussen de geleiderail en het zaagblad (4), maar alleen wanneer de tafel niet in de uitgeschoven positie staat (Afb. L)
- ◆ Stel de langsgleiding (5) af op de gewenste specificatie op het zichtglas en zet vast met de klemhandgreep (15) voor de langsgleiding.

Hulpstop (Afb. J1)

Wanneer u smalle werkstukken en in schuine hoeken zaagt moet u de hulpstop (5c) op de langsgleiding (5) monteren, zoals wordt getoond in afbeelding J1.

Wanneer u smalle werkstukken zaagt, kunnen ze bekneld raken tussen de langsgleiding en het zaagblad, worden gepakt door de rotatie van het zaagblad en van de machine worden geslingerd. Daarom moet u de hulpstop (5c) zo afstellen dat de geleiderand zich bevindt tussen de voorste tand van het zaagblad en de voorste rand van het spouwmes.

De verstekmeter gebruiken (Afb. K)

- ◆ Duw de verstekmeter in een sleuf (1a) op de zaagtafel (1).
- ◆ Maak de vergrendelingshandgreep (6a) los.
- ◆ Draai de verstekmeter (6b) tot de gewenste hoek is ingesteld.
- ◆ De schaalverdeling (6c) toont de ingestelde hoek.
- ◆ Zet de klemhandgreep (6a) weer vast.

Uitschuiftafel (Afb. L)

De uitschuiftafel (16) kan worden gebruikt voor bijzonder brede werkstukken.

- ◆ Maak de klemhandgreep (14) los en trek het uitschuifgedeelte van de tafel de gewenste lengte.

De zaagbladhoek instellen (Afb. M)

Stel de gewenste schuine hoek in van 0 tot 45 graden.

- ◆ Draai de vergrendelknop (10) voor het afstellen van de afschuinhoek los.
- ◆ Duw het kantelwiel (13) van het zaagblad naar binnen en draai het naar de gewenste hoek.
- ◆ Stel de gewenste hoek in en vergrendel vervolgens de knop (10) weer.

Werkinstructies

Na iedere nieuwe afstelling is het raadzaam een proefzaagsnede uit te voeren ter controle van de ingestelde afmetingen. Wacht na het inschakelen van de zaag tot het zaagblad de maximale rotatiesnelheid heeft bereikt en begin dan pas met de zaagsnede.

Zet een lang werkstuk vast zodat het niet aan het einde van de zaagsnede kan vallen (bijv. met een rolschraag, enz.) Ga extra voorzichtig te werk wanneer u de zaagsnede start!

Zaagsneden in de lengterichting maken

Zaagsneden maken in de lengterichting (ook wel langszagen genoemd) is het gebruiken van de zaag in de richting van de nerf van het hout. Druk een rand van het werkstuk tegen de langsgleiding (5) met de vlakke zijde op de zaagtafel (1). De zaagbladbeschermkap (2) moet altijd over het werkstuk worden gezet. Wanneer u een zaagsnede in de lengterichting maakt, neem dan niet een werkpositie aan die op één lijn staat met de zaagrichting.

- ◆ Schakel de zaag in.
- ◆ Plaats uw handen (met gesloten vingers) vlak op het werkstuk en duw het werkstuk langs en in het zaagblad (4).
- ◆ Leid het werkstuk met uw linker- of rechterhand (afhankelijk van de positie) niet verder dan de voorzijde van de zaagbladbeschermkap (2).
- ◆ Duw het werkstuk altijd met de aanduwstok (19) door tot het einde van het spouwmes (3), zoals wordt getoond in afbeelding N.
- ◆ Het afgezaagde stuk blijft op de zaagtafel (1).
- ◆ Zet een lang werkstuk vast (bijv. met een rolschraag, enz.) zodat het niet aan het einde van de zaagsnede kan vallen.

Waarschuwing! Gebruik altijd de aanduwstok (19) wanneer u kleine werkstukken zaagt.

Zaag geen al te kleine werkstukken.

Afkortzagen

- ◆ Vergrendel de verstekmeter (6) op 0 graden.
- ◆ Stel de schuine hoek in 0 graden.
- ◆ Stel de hoogte van het zaagblad (4) af.
- ◆ Houd het werkstuk vlak tegen de tafel (1) en tegen de langsgleiding. Houd het werkstuk weg bij het zaagblad.
- ◆ Houd beide handen weg van het pad van het zaagblad.
- ◆ Schakel de machine in en laat het zaagblad volledig op snelheid komen.
- ◆ Houd het werkstuk dicht tegen de langsgleiding en verplaats het werkstuk langzaam samen met de langsgleiding tot het werkstuk onder de bovenste zaagbladbeschermkap komt.
- ◆ Laat de tanden zagen en dwing het werkstuk niet door het zaagblad. De snelheid van het zaagblad moet constant worden gehouden.

Schakel na voltooiing van de zaagsnede de machine uit, laat het zaagblad tot stilstand komen en verwijder het werkstuk.

Waarschuwing! Duw nooit tegen het afgezaagde gedeelte van het werkstuk en houd het niet vast.

Zo gaat u te werk bij het vastlopen van het zaagblad

- ◆ Controleer dat de machine is losgekoppeld van de stroomvoorziening.
- ◆ Verwijder het werkstuk. Let goed op dat u niet met u handen het zaagblad aanraakt.

- ◆ Druk op de overbelastingsbeveiliging (21) en sluit de stekker aan, de machine kan weer werken.

Na gebruik

- ◆ Veeg na gebruik spaanders en stof die aan het gereedschap kleven af met een doek of iets dergelijks.
- ◆ Smeer de schuivende gedeeltes met machineolie ter voorkoming van roestvorming.

Het milieu beschermen



Gescheiden afvalinzameling. Producten en accu's waarop dit symbool is aangebracht, mogen niet bij het normale huishoudafval worden weggegooid.

Producten en accu's bevatten materialen die kunnen worden teruggewonnen of gerecycled en dat doet de vraag naar grondstoffen afnemen. Recycle elektrische producten en accu's volgens de ter plaatse geldende bepalingen. Nadere informatie is beschikbaar op www.2helpU.com

Technische gegevens

		BES720 Type 1
Spanning	V	230
Frequentie	Hz	50
Opgenomen vermogen	W	1800
Snelheid onbelast	/rpm	5200
Zaagbladdiameter	mm	254
Dikte zaagblad-body	mm	2,0
Toegestaan bereik van zaagbreedte	mm	2,8
Afmeting boring	mm	30
Spouwmesdikte	mm	2,5
Max. zaagdiepte bij 45°	mm	58
Max. zaagdiepte bij 90°	mm	80
Bereik afschuinhoek zaagblad		0 - 45°
gewicht	kg	27,56

Geluidsdrukniveau, volgens EN 62841:

L_{pa} (geluidsdruk) 95 dB(A), onzekerheid (K) 3 dB(A)

L_{WA} (geluidsvermogen) 108 dB(A), onzekerheid (K) 3 dB(A)

EG Conformiteitsverklaring

RICHTLIJN VOOR MACHINES



BES720 Tafelzaag

Black & Decker verklaart dat de producten die worden beschreven onder "technische gegevens", voldoen aan:

EN62841-1:2015, EN62841-3-9:2015+A11:2017,
Deze producten voldoen ook aan richtlijn 2006/42/EC,
2014/30/EU en 2011/65/EU.

Neem voor meer informatie contact op met Black & Decker op het volgende adres of raadpleeg de achterzijde van de handleiding.

Ondergetekende is verantwoordelijk voor de samenstelling van het technische bestand en legt deze verklaring af namens Black & Decker.

Patrick Diepenbach

Patrick Diepenbach
General Manager, Benelux
Black and Decker,
Egide Walschaertsstraat 14 - 18
2800 Mechelen, België
21/05/2021

Garantie

Black & Decker heeft vertrouwen in zijn producten en biedt consumenten een garantie van 24 maanden vanaf de aankoopdatum. Deze garantie vormt een aanvulling op uw wettelijke rechten en beperken deze niet. De garantie is geldig op het grondgebied van de Lidstaten van de Europese Unie en de Europese Vrijhandelszone.

Voor een garantie-aanspraak moet uw aanspraak in overeenstemming zijn met de Voorwaarden en Condities van Black & Decker en moet u een bewijs van aankoop overleggen aan de verkoper of aan een geautoriseerde reparatiemonteur. Voorwaarden en condities van de 2-jarige garantie van Black & Decker en het adres van de vestiging van het geautoriseerde reparatiecentrum bij u in de buurt, kunt u vinden op internet op www.2helpU.com, of door contact op te nemen met het Black & Decker-kantoor ter plaatse, op het adres dat in deze handleiding wordt vermeld.

Bezoek onze website www.blackanddecker.eu, waar u uw nieuwe Black & Decker-product kunt registreren en het laatste nieuws vindt over nieuwe producten en speciale aanbiedingen.

Uso previsto

La sierra de mesa BLACK+DECKER BES720 ha sido diseñada para cortar y tronzar todo tipo de madera proporcional al tamaño de la máquina. Esta herramienta ha sido concebida únicamente para uso particular.

Instrucciones de seguridad

Advertencias de seguridad para herramientas eléctricas en general



¡Advertencia! Lea todas las advertencias de seguridad, instrucciones, ilustraciones y especificaciones suministradas con esta herramienta eléctrica. En caso de no atenderse a las siguientes advertencias e instrucciones de seguridad, podría producirse una descarga eléctrica, incendio o lesión grave.

Guarde todas las advertencias e instrucciones para futuras consultas. El término "herramienta eléctrica" empleado en las advertencias a continuación hace referencia a la herramienta eléctrica con alimentación de red (con cable) o alimentada por batería (sin cable).

1. Seguridad del área de trabajo

- a. **Mantenga limpia y bien iluminada el área de trabajo.** Las áreas en desorden u oscuras pueden provocar accidentes.
- b. **No utilice herramientas eléctricas en entornos con peligro de explosión, como aquellos en los que haya líquidos, gases o polvos inflamables.** Las herramientas eléctricas originan chispas que pueden inflamar el polvo o los gases.
- c. **Mantenga alejados del área de trabajo a los niños y a otras personas cuando emplee la herramienta eléctrica.** Las distracciones pueden causar la pérdida del control de la herramienta.

2. Seguridad eléctrica

- a. **El enchufe de la herramienta eléctrica debe corresponder a la toma de corriente. No modifique nunca el enchufe de ninguna forma. No utilice ningún enchufe adaptador con las herramientas eléctricas conectadas a tierra (puestas a masa).** Los enchufes no modificados y las tomas de corriente compatibles reducen el riesgo de descarga eléctrica.
- b. **Evite que su cuerpo toque partes conectadas o puestas a tierra tales como tuberías, radiadores, cocinas y refrigeradores.** Existe un mayor riesgo de descarga eléctrica si su propio cuerpo está conectado a tierra.
- c. **No exponga las herramientas eléctricas a la lluvia y a la humedad.** La entrada de agua en una herramienta eléctrica aumenta el riesgo de descarga eléctrica.

- d. **Cuide el cable de alimentación. No use nunca el cable para transportar, tirar de la herramienta eléctrica o desenchufarla. Mantenga el cable alejado del calor, aceite, bordes afilados y piezas en movimiento.** Los cables dañados o enredados aumentan el riesgo de descarga eléctrica.
- e. **Al trabajar con la herramienta eléctrica en la intemperie utilice solamente cables de prolongación homologados para su uso en exteriores.** La utilización de un cable adecuado para el uso en exteriores reduce el riesgo de descarga eléctrica.
- f. **Si la utilización de una herramienta eléctrica en un lugar húmedo es inevitable, utilice una fuente protegida con un dispositivo diferencial residual (DDR).** El uso de un DDR reduce el riesgo de descarga eléctrica.

3. Seguridad personal

- a. **Esté atento a lo que hace y emplee la herramienta eléctrica con prudencia. No maneje una herramienta eléctrica cuando esté cansado o bajo los efectos de drogas, medicamentos o alcohol.** Un momento de falta de atención cuando se manejan las herramientas eléctricas puede ocasionar lesiones personales graves.
- b. **Utilice un equipo de protección personal. Utilice siempre protección ocular.** El uso de equipo de protección como mascarillas antipolvo, calzado antideslizante, casco de seguridad o protección auditiva para las condiciones apropiadas reduce las lesiones personales.
- c. **Impida que la herramienta se ponga en marcha involuntariamente. Asegúrese de que el interruptor se encuentre en la posición de apagado antes de conectar la herramienta a la fuente de alimentación o a la batería, o de coger o transportar la herramienta.** Transportar herramientas eléctricas con el dedo puesto en el interruptor o herramientas eléctricas activadoras que tengan el interruptor encendido puede provocar accidentes.
- d. **Retire las herramientas de ajuste o llaves fijas antes de encender la herramienta eléctrica.** Dejar una llave inglesa u otra llave puesta en una pieza en movimiento de la herramienta eléctrica puede ocasionar lesiones personales.
- e. **Sea precavido. Mantenga un equilibrio adecuado y la estabilidad constantemente.** Esto permite un mejor control de la herramienta eléctrica en situaciones inesperadas.
- f. **Lleve puesta una vestimenta de trabajo adecuada. No se ponga ropa suelta o joyas. Mantenga el cabello y la ropa alejados de las piezas en movimiento.** La ropa suelta, las joyas y el pelo largo pueden quedar atrapados en las piezas en movimiento.

- g. **Siempre que sea posible utilizar unos equipos de aspiración o captación de polvo, asegúrese de que estén montados y de se utilicen correctamente.** El uso de equipo de recogida de polvo puede reducir los riesgos relacionados con el polvo.
- h. **Evite que la familiaridad adquirida con el uso frecuente de las herramientas le haga confiarse demasiado e ignorar las normas de seguridad de las herramientas.** Una utilización descuidada puede provocar lesiones graves en cuestión de segundos.

4. Uso y cuidado de herramientas eléctricas

- a. **No sobrecargue la herramienta eléctrica. Use la herramienta eléctrica correcta para su trabajo.** La herramienta eléctrica correcta funcionará mejor y con mayor seguridad si se utiliza de acuerdo con sus características técnicas.
- b. **No utilice la herramienta eléctrica si no se puede encender y apagar con el interruptor.** Toda herramienta eléctrica que no pueda controlarse con el interruptor es peligrosa y debe ser reparada.
- c. **Desconecte el enchufe de la herramienta eléctrica de la fuente de alimentación y/o la batería antes de realizar cualquier ajuste, cambiar accesorios o guardar la herramienta.** Dichas medidas de seguridad preventivas reducen el riesgo de poner en marcha accidentalmente la herramienta eléctrica.
- d. **Guarde las herramientas eléctricas fuera del alcance de los niños y no permita que la utilicen las personas no familiarizadas con su uso o con estas instrucciones.** Las herramientas eléctricas son peligrosas en manos de personas no capacitadas.
- e. **Realice el mantenimiento de sus herramientas eléctricas y accesorios. Compruebe que las piezas móviles no estén desalineadas ni atascadas, que no haya piezas rotas y cualquier otra condición que pudiera afectar al funcionamiento de la herramienta eléctrica. Si la herramienta eléctrica está dañada, llévela para que sea reparada antes de utilizarla.** Se ocasionan muchos accidentes por el mal mantenimiento de las herramientas eléctricas.
- f. **Mantenga las herramientas de corte limpias y afiladas.** Hay menos probabilidad de que las herramientas de cortar con bordes afilados se bloqueen, y son más fáciles de controlar.
- g. **Utilice la herramienta eléctrica, los accesorios, los útiles de la herramienta, etc. de acuerdo con estas instrucciones, y tenga en cuenta las condiciones de trabajo y la tarea que va a realizar.** El uso de la herramienta eléctrica para operaciones que no sean las previstas puede ocasionar una situación peligrosa.
- h. **Mantenga las empuñaduras y superficies de agarre secas, limpias y libres de aceite y grasa.**

Las empuñaduras resbaladizas y las superficies grasientas impiden aferrar y controlar la herramienta en situaciones imprevistas.

5. Reparaciones

- a. **Haga reparar esta herramienta eléctrica solo por personal técnico autorizado que emplee exclusivamente piezas de repuesto originales.** Así se asegurará que se mantenga la seguridad de la herramienta eléctrica.

Instrucciones de seguridad para sierras de mesa

- 1. **Advertencias relativas a las protecciones**
 - a. **Conservar los protectores en su lugar. Los protectores deben funcionar correctamente y estar bien montados.** Un protector que esté flojo, dañado o que no funcione bien debe repararse o sustituirse.
 - b. **Utilice siempre un protector de la hoja de sierra y un separador para cada operación de corte directo.** Para las operaciones de corte directo en que la hoja de la sierra corte totalmente a través del grosor de la pieza de trabajo, el protector y otros dispositivos de seguridad ayudan a reducir el riesgo de lesiones.
 - c. **Vuelva a acoplar de inmediato el sistema de protección al terminar una operación (como el empalme a media madera, el redondeo de esquinas o el fraccionamiento) que requiera la retirada del protector y del separador.** El protector y el separador ayudan a reducir el riesgo de lesiones.
 - d. **Asegúrese de que la hoja de la sierra no esté en contacto con el protector, el separador o la pieza de trabajo antes de encender el interruptor.** El contacto inadvertido de estos elementos con la hoja de la sierra podría causar una situación peligrosa.
 - e. **Ajuste la cuchilla separadora como se describe en este manual de instrucciones.** Una colocación, posición o espaciado incorrectos pueden reducir la eficacia del separador para reducir la probabilidad de retrocesos.
 - f. **Para que la cuchilla separadora funcione, debe estar engranada en la pieza de trabajo.** El separador no sirve para cortar piezas de trabajo demasiado cortas para engranarse con el separador. En estas condiciones es imposible que el separador impida un contragolpe.
 - g. **Utilice la hoja de sierra adecuada para el separador.** Para que el separador funcione correctamente, el diámetro de la hoja de sierra debe coincidir con el separador adecuado y el cuerpo del disco de la sierra debe ser más fino que el separador y el ancho de corte del disco de la sierra debe ser más ancho que el grosor del separador.

2. Advertencias de los procedimientos de corte

- a. **PELIGRO: No ponga nunca los dedos ni las manos cerca ni en la línea de la hoja de sierra.** Un momento de distracción o un resbalón podría dirigir sus manos hacia la hoja de la sierra y causar lesiones graves.
- b. **Mueva la pieza de trabajo en la hoja de la sierra únicamente hacia la dirección de rotación.** Si mueve la pieza de trabajo en la misma dirección de giro que la hoja de la sierra, esta podría tirar de la pieza de trabajo y, por tanto, de la mano.
- c. **No utilice nunca la guía de ingletes para alimentar la pieza de trabajo cuando sierre, ni utilice la contraguía de aserrado como tope longitudinal cuando tronce con la guía de ingletes.** Guiar la pieza de trabajo con la contraguía de aserrado y la guía de ingletes al mismo tiempo aumenta la probabilidad de atasco y rebote de la hoja de la sierra.
- d. **Al aserrar, aplique siempre la fuerza del movimiento de la pieza de trabajo entre la contraguía y la hoja de la sierra. Utilice una varilla de empuje cuando la distancia entre la contraguía y la hoja de la sierra sea inferior a 150 mm, y utilice un bloque de empuje cuando dicha distancia sea inferior a 50 mm.** Existen accesorios de trabajo que le ayudarán a mantener las manos a una distancia segura de la hoja de la sierra.
- e. **Utilice únicamente la varilla de empuje suministrada por el fabricante o diseñada de acuerdo con las instrucciones.** Esta varilla de empuje proporciona distancia suficiente de la mano a la hoja de la sierra.
- f. **No utilice nunca una varilla de empuje dañada o cortada.** Una varilla de empuje dañada podría romperse y hacer que la mano caiga sobre la hoja de la sierra.
- g. **No realice ningún trabajo "a pulso". Utilice siempre la contraguía de aserrado o la guía de ingletes para colocar y guiar la pieza de trabajo.** "A pulso" significa utilizar las manos para sostener o guiar la pieza de trabajo, en lugar de una contraguía o una guía de ingletes. El aserrado a pulso tiene como resultado desalineaciones, atascos y rebotes.
- h. **Nunca pase ninguna parte del cuerpo alrededor ni por encima de la hoja de la sierra en funcionamiento.** Intentar alcanzar así una pieza de trabajo podría provocar el contacto accidental con la hoja de la sierra en movimiento.
- i. **Proporcione apoyo auxiliar a la pieza de trabajo en la parte trasera y/o en los laterales de la mesa de la sierra en los casos de piezas de trabajo largas y/o anchas para mantenerlas niveladas.** Una pieza de trabajo larga y/o ancha tiende a pivotar sobre el borde de la mesa y puede causar la pérdida de control y atasco y contragolpes de la hoja de la sierra.
- j. **Mueva la pieza de trabajo a un ritmo uniforme. No doble y retuerza la pieza de trabajo.**

Si se produce un atasco, en primer lugar apague la herramienta de inmediato, después desenchúfela y, por último, y siempre después de lo anterior, quite el atasco. El atasco de la hoja de la sierra con la pieza de trabajo puede provocar rebotes o atascar el motor.

- k. **No quite nunca piezas de material cortado cuando la sierra esté en funcionamiento.** El material podría quedar atrapado entre la contraguía o dentro del protector de la hoja de la sierra y la hoja de la sierra podría arrastrarle los dedos hacia ella. Apague la sierra y espere a que se haya detenido antes de quitar el material.
- l. **Utilice una contraguía auxiliar en contacto con la parte superior de la mesa cuando sierra piezas de trabajo con menos de 2 mm de grosor.** Una pieza de trabajo podría agarrarse bajo la contraguía de aserrado y crear un rebote.

3. Causas de contragolpe y advertencias relacionadas

Un contragolpe es una reacción repentina de la pieza de trabajo debida a la compresión o atasco de la hoja de la sierra o a una línea de corte desalineada en la pieza de trabajo con respecto a la hoja de la sierra, o cuando una parte de la pieza de trabajo se comprime entre la hoja de la sierra y la contraguía de aserrado u otro objeto fijo.

La mayoría de las veces, en un rebote la pieza de trabajo se alza de la mesa por la parte trasera de la hoja de la sierra y es impelida hacia el usuario.

El rebote es el resultado del mal uso de la sierra o de procedimientos o condiciones de operación incorrectos y puede ser evitado si se toman las precauciones debidas, enumeradas a continuación.

- a. **No se coloque nunca directamente en línea con la hoja de la sierra. Coloque siempre el cuerpo en el mismo lado de la hoja de la sierra que la contraguía.** El rebote podría impeler la pieza de trabajo a gran velocidad hacia cualquiera que se encuentre enfrente y en línea con la hoja de la sierra.
- b. **Nunca pase ninguna parte del cuerpo por encima ni por la parte trasera de la hoja de la sierra para tirar de la pieza de trabajo ni para apoyarla.** Puede producirse un contacto accidental con la hoja de sierra o el retroceso puede arrastrar sus dedos hacia la hoja de la sierra.
- c. **Nunca sostenga y presione la pieza de trabajo que se esté cortando contra la hoja de la sierra en movimiento.** Presionar la pieza de trabajo que se esté cortando contra la hoja de la sierra causará un atasco y un retroceso.
- d. **Alinee la contraguía para que esté en paralelo con la hoja de la sierra.** Una contraguía desalineada comprimirá la pieza de trabajo contra la hoja de la sierra y producirá un contragolpe.
- e. **Tenga especial precaución al hacer un corte en las áreas ciegas de las piezas de trabajo montadas.**

- La hoja de sierra que sobresale podría cortar objetos que pueden provocar un rebote.
- f. **Sujete los paneles grandes para reducir al mínimo el riesgo de que la hoja de sierra se comprima y rebote.** Los paneles grandes tienen tendencia a combarse por su propio peso. Debajo de todas las partes del panel que sobresalgan de la parte superior de la mesa deben colocarse apoyos.
 - g. **Tenga especial cuidado al cortar una pieza de trabajo retorcida, nudosa, abarquillada o que no tenga un borde recto para guiarla con una guía de ingletes o a lo largo de la contraguía.** Una pieza de trabajo abarquillada, nudosa o retorcida es inestable y provoca desalineación del corte con la hoja de la sierra, atascos y contragolpes.
 - h. **No corte nunca más de una pieza de trabajo en vertical u horizontal.** La hoja de la sierra podría trabarse con una o más piezas y provocar un rebote.
 - i. **Cuando reinicie la sierra con la hoja de sierra en la pieza de trabajo, centre la hoja de sierra en la muesca de forma que los dientes de la sierra no estén engranados en el material de trabajo.** Si la hoja de sierra se bloquea, puede que levante la pieza de trabajo y provoque un rebote al volver a arrancar la sierra.
 - i. **Mantenga las hojas de la sierra limpias, afiladas y con una fijación suficiente. No utilice nunca hojas de sierra abarquilladas, agrietadas ni con dientes rotos.** Las hojas de sierra afiladas y bien fijadas reducen al mínimo el atasco, la parada y el rebote.
4. **Advertencias del procedimiento de uso de la sierra de mesa**
 - a. **Apague la sierra de mesa y desconecte el cable de alimentación cuando quite la pieza intercalada de la mesa al cambiar la hoja de la sierra o hacer ajustes en el separador o en el protector de la hoja de la sierra, y cuando la máquina quede desatendida.** Las medidas de precaución evitan los accidentes.
 - b. **Nunca deje la sierra de mesa funcionando sola. Apáguela y no la deje apoyada hasta que no se haya detenido completamente.** Una sierra funcionando sola es un peligro incontrolado.
 - c. **Coloque la sierra de mesa en una zona bien iluminada y nivelada, en la que usted pueda tener el cuerpo en una posición equilibrada. Debe instalarse en una zona en la que haya espacio suficiente para manipular con facilidad el tamaño de la pieza de trabajo.** Las zonas con poco sitio, oscuras, irregulares y resbaladizas son propensas a los accidentes.
 - d. **Limpie y retire con frecuencia el serrín de debajo de la mesa de la sierra y/o del dispositivo de recogida de polvo.** El serrín acumulado es inflamable y podría prender.
 - e. **La mesa de la sierra debe estar inmovilizada.** Una sierra de mesa que no esté correctamente inmovilizada podría moverse o volcarse.
 - f. **Retire las herramientas, trozos de madera, etc. de la mesa antes de encender la sierra de mesa.** Las distracciones o un posible atasco podrían ser peligrosos. **Utilice siempre hojas de sierra con la forma (diamante o redonda) y el tamaño de orificios de eje adecuados.** Las hojas de sierra que no coincidan con los elementos de montaje de la sierra funcionarán de forma excéntrica, lo que causará una pérdida de control.
 - h. **No utilice nunca medios de montaje de la hoja de la sierra dañados o inadecuados como bridas, arandelas de la hoja, tornillos o tuercas.** Estos medios de montaje han sido diseñados específicamente para su sierra, para que funcione de forma segura y con un rendimiento óptimo.
 - i. **No se suba nunca a la sierra de mesa. No la utilice a modo de escalera.** Si la herramienta se vuelca o si la herramienta de corte se enciende por accidente, pueden producirse daños graves.
 - j. **Compruebe que la hoja de la sierra se instala de forma que gire en la dirección adecuada. No utilice discos de amolado o abrasivos ni cepillos de alambre con la sierra de mesa.** La instalación incorrecta de la hoja de la sierra o el uso de accesorios no recomendados puede causar lesiones graves.

Instrucciones de seguridad adicionales para sierras de mesa

- ◆ En este manual de instrucciones se describe el uso previsto. La utilización de accesorios o dispositivos auxiliares o la realización de operaciones distintas a las recomendadas en este manual de instrucciones para esta herramienta pueden suponer un riesgo de lesiones corporales y/o de daños materiales.
- ◆ No utilice hojas de sierra agrietadas, dobladas, dañadas ni deformadas.
- ◆ No utilice hojas de un diámetro mayor o menor del recomendado. Para conocer la capacidad de corte exacta, consulte las especificaciones técnicas.



¡Advertencia! El contacto o la inhalación del polvo procedente de las aplicaciones de la sierra puede suponer un peligro para la salud del usuario y de cualquier otra persona que se encuentre a su alrededor. Utilice una mascarilla antipolvo diseñada específicamente para la protección contra el polvo y los vapores y asegúrese de que las demás personas que se encuentren dentro del área de trabajo o que vayan a entrar en ella también estén protegidas.

- ◆ No trabaje con materiales que contengan amianto. El amianto está considerado como un material cancerígeno.
- ◆ Utilice guantes para manipular las hojas de sierra y materiales brutos (las hojas de sierra deben transportarse en un soporte cuando sea posible).
- ◆ Utilice protección acústica para reducir el riesgo de pérdidas acústicas inducidas.
- ◆ Considere la posibilidad de utilizar hojas diseñadas especialmente para la reducción de ruido.
- ◆ Utilice protección para los ojos para reducir el riesgo de daños personales.
- ◆ Utilice la bolsa para polvo cuando sierre madera.
- ◆ Seleccione la hoja adecuada para el material que vaya a cortar.
- ◆ No utilice el equipo sin la protección colocada en su posición. No utilice la máquina si el bloqueo no funciona o no se ha efectuado un mantenimiento adecuado.
- ◆ Antes de empezar a cortar, compruebe que la máquina está estable.
- ◆ Mantenga las empuñaduras secas, limpias y libres de aceite y grasa.
- ◆ Realice un mantenimiento adecuado del área que rodea al aparato y manténgala libre de materiales sueltos, por ejemplo, las astillas y los trozos desprendidos.
- ◆ Asegúrese de que el área de trabajo y en la que se encuentra la máquina disponen de iluminación general o localizada adecuada.
- ◆ No permita la utilización de esta máquina por parte de personas que no dispongan de la formación pertinente.
- ◆ Asegúrese de montar correctamente la hoja antes de utilizarla. Compruebe que la hoja gire en la dirección correcta. Mantenga la hoja afilada. Siga las instrucciones para lubricar y cambiar los accesorios.
- ◆ Compruebe que la velocidad indicada en la hoja de la sierra sea como mínimo equivalente a la velocidad indicada en la sierra.
- ◆ Desenchufe siempre la máquina antes de llevar a cabo cualquier operación de mantenimiento o al sustituir la hoja.
- ◆ Nunca lleve a cabo la limpieza, el mantenimiento ni la extracción de trozos de material desprendidos ni de otras partes de la pieza de trabajo de la zona de corte con la máquina en funcionamiento y si la cabeza de la hoja no se encuentra en la posición de reposo.
- ◆ Asegúrese de que todos los mandos de bloqueo y empuñaduras estén apretados antes de iniciar cualquier tarea.
- ◆ Nunca intente detener el movimiento de la máquina rápidamente atascándola con una herramienta u otro medio contra la hoja, ya que podrían producirse accidentes serios.
- ◆ Antes de utilizar o colocar un accesorio, consulte el manual de instrucciones.

El uso inadecuado de un accesorio puede provocar daños.

- ◆ No permita que los signos de advertencia de la herramienta eléctrica se vuelvan irreconocibles.
- ◆ No se coloque nunca sobre la herramienta eléctrica. De lo contrario, podrían producirse lesiones graves si la herramienta eléctrica vuelca o entra en contacto con la hoja de sierra.
- ◆ No toque la hoja de sierra después de utilizarla hasta que se haya enfriado. La hoja de sierra se calienta mucho durante su funcionamiento.
- ◆ Para evitar daños provocados por los materiales soltados, desenchufe la sierra para evitar que se encienda accidentalmente y, a continuación, retire los materiales pequeños.
- ◆ Compruebe que el separador esté ajustado a la distancia correcta de la hoja.

¡Advertencia! Compruebe siempre que el separador esté bloqueado en su posición y alineado con la hoja antes de cada uso y después de cualquier mantenimiento.

- ◆ Antes de su utilización y después de las tareas de mantenimiento, es necesario comprobar el correcto funcionamiento del protector de la hoja. Esta prueba debe llevarse a cabo con la sierra apagada y desenchufada. Si la protección no funciona correctamente, un técnico autorizado deberá reparar la herramienta eléctrica. Póngase en contacto con el servicio de atención al cliente de BLACK+DECKER para saber cuál es su servicio técnico más cercano.
- ◆ **Esta sierra de mesa ha sido diseñada para serrar únicamente madera, plástico y metales no ferrosos.** No utilice la sierra para cortar otros materiales distintos a los aconsejados por el fabricante.
- ◆ No toque la hoja de sierra después de utilizarla hasta que se haya enfriado. La hoja de sierra se calienta mucho durante su funcionamiento.



¡Advertencia! Cortar plástico, madera recubierta de savia y otros materiales puede hacer que el material fundido se acumule en las puntas y el cuerpo de la cuchilla de la sierra, aumentando el riesgo de que la cuchilla se recaliente y se atasque durante el corte.

Riesgos residuales

Los siguientes riesgos son inherentes al uso de las sierras: El cumplimiento de las normas de seguridad correspondientes y el uso de dispositivos de seguridad no evitan ciertos riesgos residuales. Dichos riesgos incluyen:

- ◆ Lesiones producidas por el contacto con piezas móviles o giratorias.
- ◆ Deterioro auditivo.

- ◆ Riesgo de accidentes provocados por las piezas no cubiertas de la hoja de sierra giratoria.
- ◆ Riesgo de lesiones al cambiar cualquier pieza, hoja o accesorio.
- ◆ Riesgo de aplastamiento de los dedos al abrir las protecciones.
- ◆ Riesgos para la salud provocados al respirar el polvo originado al serrar madera, especialmente de roble, haya y DM.
- ◆ Lesiones producidas por el uso de una herramienta durante un tiempo demasiado prolongado. Si utiliza una herramienta durante períodos de tiempo demasiado prolongados, asegúrese de realizar pausas con frecuencia.



Los menores de 16 años no deben utilizar este producto.



Mantenga las manos alejadas de la hoja.



Utilice guantes para manipular las hojas de la sierra.



No exponga el aparato a la lluvia ni a humedad elevada.



Desconecte el enchufe de red si el cable está dañado o enredado.

Ruido

Los valores de emisión de sonido declarado se han calculado según un método de prueba estándar y podrán utilizarse para comparar una herramienta con otra.

Los valores declarados de emisión de ruido también pueden utilizarse en una evaluación preliminar de la exposición.

¡Advertencia! Las emisiones de ruido durante el uso real de la herramienta eléctrica pueden diferir de los valores declarados dependiendo de la forma de uso de la herramienta, especialmente de qué tipo de pieza de trabajo se esté utilizando.

¡Advertencia! Lleve siempre protección acústica personal adecuada. En algunas condiciones y durante el uso, el ruido emitido por este producto podría provocar pérdida auditiva. Tenga en cuenta de los siguientes factores que influyen en la exposición ante el ruido:

- ◆ utilice cuchillas de sierra diseñadas para reducir las emisiones de ruido;
- ◆ utilice solo cuchillas de sierra afiladas;
- ◆ utilice cuchillas de sierra diseñadas específicamente para la reducción del ruido.

Etiquetas en la herramienta

Los siguientes pictogramas están colocados, junto al código, en la herramienta:



¡Advertencia! Para reducir el riesgo de lesiones, el usuario debe leer el manual de instrucciones.



Utilice gafas o lentes de seguridad.



Póngase protección para el oído.



Utilice una mascarilla antipolvo.



¡Precaución!

Lea el manual de instrucciones para conocer el procedimiento correcto de ajuste y bloqueo del protector y del separador.

Seguridad eléctrica



Esta herramienta lleva un doble aislamiento; por lo tanto, no requiere una toma de tierra. Compruebe siempre que el voltaje suministrado corresponda al indicado en la placa de características.

- ◆ Si se daña el cable de alimentación, debe ser sustituido por el fabricante o por un centro de asistencia técnica autorizado de Stanley FatMax, para evitar riesgos.

Caidas de tensión

Las corrientes irraptoras provocan caídas de tensión de corta duración. En condiciones de suministro de alimentación desfavorables, es posible que otros equipos se vean afectados. Si la impedancia del sistema de suministro de alimentación es inferior a 0,361, es poco probable que se produzcan perturbaciones.

Uso de un cable de prolongación

Utilice siempre un cable de prolongación aprobado que sea adecuado para la entrada de corriente de esta herramienta (consulte los datos técnicos). Antes de utilizar el cable de prolongación, compruebe que no esté dañado, gastado o deteriorado. Si está dañado o defectuoso, sustitúyalo. Si utiliza un carrete de cable, desenrolle siempre el cable completamente.

El uso de un cable alargador inadecuado para la entrada de corriente de la herramienta que estuviera dañado o fuese defectuoso podría producir incendios o descargas eléctricas.

Características

Esta herramienta incluye parte o la totalidad de estas características.

1. Mesa de sierra
2. Protector de la hoja
- 2a. Funda del protector de la hoja
3. Cuchilla separadora
4. Hoja de la sierra
5. Funda de la hoja de la sierra
5. Guía de corte
- 5a. Funda de la contraguía de aserrado
6. Guía de ingletes
- 6a. Funda de la guía de ingletes
7. Bolsa de polvo
8. Interruptor de encendido/apagado
9. Soporte de pie
10. Tuerca de bloqueo del ajuste del bisel
11. Mango de elevación de la hoja
12. Tirador de bloqueo de las patas
13. Disco de inclinación de la hoja
14. Palanca de bloqueo de la extensión de la mesa
15. Palanca de bloqueo de la contraguía de aserrado
16. Mesa de extensión
17. Llave inglesa X2
18. Carril de guía
19. Varilla de empuje
20. Accesorio de la mesa
21. Protección contra sobrecargas
22. Ajuste de nivel de las patas
23. Cable de alimentación
24. Pestañas de almacenamiento del cable de alimentación

Montaje

- ◆ Abra la caja y saque la sierra.
- ◆ Coloque la sierra en una superficie lisa y plana, como un banco de trabajo o una mesa resistente.
- ◆ La máquina se entrega con la hoja de la sierra (4) ajustada a 45 grados. Reajústela a 0 grados siguiendo las instrucciones siguientes de Ajuste del ángulo de la hoja

Montaje de las patas (Figs. A, B y C)

Nota: Las patas se han diseñado para montarse de una única manera. Asegúrese de que las patas se deslizan siempre hacia afuera, como se muestra en la portada y en el dibujo de montaje de la página 2.

- ◆ Desenrosque y quite los cuatro tiradores de bloqueo de las patas (12), como se muestra en la figura A.

- ◆ Dé vuelta la sierra de mesa sobre una superficie estable e inserte las patas (9), como se muestra en la figura B. Asegúrese de la correcta orientación.
- ◆ Vuelva a poner los tiradores de bloqueo de las patas (12), asegurándose de que pasan por los orificios de las patas (9), y apriételos firmemente, como se muestra en la figura B.
- ◆ La sierra de mesa incluye un regulador del nivel de las patas (22) que puede ajustarse para compensar los suelos irregulares, como se muestra en la figura C.

Reglaje del separador (figuras D, E y F)

¡Advertencia! El separador (3) debe entregarse en la posición correcta para el corte transversal. Sin embargo, antes de utilizar la máquina por primera vez y antes de conectarla a la corriente, compruebe que el separador esté bien sujeto, en línea con la hoja y a la distancia correcta de esta, como se muestra en la Fig. F. Trabaje con la máquina solo si el separador (3) está en la posición superior, salvo que la sierra se utilice para operaciones de corte longitudinal. EL PROTECTOR DEBE SACARSE PARA LAS OPERACIONES DE RANURADO. LEVANTE INMEDIATAMENTE EL SEPARADOR Y VUELVA A COLOCAR EL PROTECTOR DESPUÉS DE COMPLETAR CUALQUIER OPERACIÓN QUE REQUIERA LA REMOCIÓN DEL PROTECTOR O LA BAJADA DEL SEPARADOR. Ajuste el separador (3) en la posición superior de la siguiente forma:

- ◆ Retire el tornillo de seguridad (20a) de la pieza intercalada de la mesa (20) y levante la pieza intercalada de la mesa de la sierra, como se muestra en la figura D.
- ◆ Levante la hoja de la sierra y el separador girando el mango de elevación de la hoja (11) en sentido horario, como se muestra en la figura E.
- ◆ Añoje la palanca de bloqueo (3a) y tire del separador (3) hasta la posición superior, como se muestra en la figura F.
- ◆ Vuelva a colocar la palanca de bloqueo (3a) en la posición de bloqueo.

¡Advertencia! Si la palanca de bloqueo (3a) no puede colocarse en la posición de bloqueo del cuadrante inferior (Fig. F), es posible que el separador no esté colocado correctamente.

Vuelva a posicionar el separador y vuelva a colocar la palanca de bloqueo en la posición inferior del cuadrante.

¡Advertencia! La palanca bloqueo (3A) debe estar en el cuadrante inferior, por debajo de la posición horizontal, como se muestra en la Fig. F, para estar completamente bloqueada. Compruebe esto cuidadosamente.

Conjunto del protector de la hoja (Fig. G)

¡Advertencia! El separador debe estar bloqueado en la posición superior antes de colocar el protector.

El protector no debe estar colocado cuando el separador está situado y bloqueado en la posición inferior.

- ◆ El protector de la hoja (2) se suministra con un pasador de bloqueo con resorte (2c) para ubicar y fijar el protector a la hoja (3). El protector debe colocarse cuando se realicen cortes transversales, para reducir el riesgo de lesiones.
- ◆ Levante la hoja de la sierra y el separador girando la palanca elevación de la hoja (11) en sentido antihorario, como se muestra en la figura E.
- ◆ Coloque la barra en la parte trasera del protector (2b) hacia abajo y hacia la parte trasera de la ubicación del separador (3b).
- ◆ Presione el pasador de bloqueo (2c) y baje el protector para alinearlos con la ubicación frontal del separador (3c)
- ◆ Suelte el pasador de bloqueo y asegúrese de que el protector esté firme en el separador.
- ◆ El operador debe poder sacar el protector del separador solo presionando el pasador de bloqueo (2c) y levantando el protector hacia arriba.
- ◆ Tire suavemente del protector de la hoja para asegurarse de que está bien colocado.

Gestión del polvo

- ◆ La sierra se suministra con una bolsa para el polvo (7) que debe colocarse en la salida de polvo de la parte trasera de la unidad (como se muestra en la página 3), si no se utiliza una aspiradora.
- ◆ Si desea utilizar una aspiradora, la salida del protector y la posterior son aptas para boquillas de 35 mm. La aspiradora debe ser adecuada para el material con el que vaya a trabajar.
 - ◆ Cuando aspire polvo seco especialmente perjudicial para la salud o cancerígeno, utilice una aspiradora de clase M.
 - ◆ Compruebe que la manguera de extracción de polvo sea adecuada para la aplicación y el material que vaya a cortar. Use correctamente la manguera

Montaje/Sustitución del conjunto de la hoja de la sierra (Fig. O)

¡Advertencia! Compruebe siempre la alineación del separador y la funcionalidad de los protectores después de efectuar cualquier operación de mantenimiento.

¡Advertencia! Compruebe siempre que el separador esté bloqueado en su posición y alineado con la hoja antes de cada uso y después de cualquier mantenimiento.

El protector debe colocarse cuando se realicen cortes transversales.

¡Advertencia! Asegúrese de que la máquina esté desconectada de la fuente de energía. Utilice guantes de seguridad.

- ◆ Desmonte el protector de la hoja de la sierra (2).
- ◆ Retire la pieza intercalada de la mesa (20).

- ◆ Afloje la tuerca de la hoja de la sierra colocando la llave inglesa (17) en la tuerca y contrarrestando con otra llave inglesa (17) en la brida.

¡Advertencia! Gire la tuerca en la dirección de rotación de la hoja de la sierra.

- ◆ Retire la brida exterior y extraiga la hoja de la sierra de la brida interior con un movimiento hacia abajo y en diagonal.
- ◆ Limpie con cuidado la brida antes de fijar la nueva hoja de la sierra.
- ◆ Inserte la nueva hoja de la sierra y fije la brida exterior.

¡Advertencia! Los dientes de la nueva hoja son muy afilados y pueden resultar peligrosos. Asegúrese de que los dientes apunten hacia abajo y hacia la parte frontal de la mesa, en línea con la flecha marcada en el protector de la hoja de la sierra (2).

¡Advertencia! Compruebe siempre la alineación del separador y la funcionalidad de los protectores después de efectuar cualquier operación de mantenimiento.

¡Advertencia! Compruebe siempre que el separador esté bloqueado en su posición y alineado con la hoja antes de cada uso y después de cualquier mantenimiento. El protector debe colocarse cuando se realicen cortes transversales.

Interruptor de encendido/apagado (8)

- ◆ Para encender la máquina, eleve la cubierta de aleta negra y presione el botón verde de encendido.
- ◆ Para apagar la máquina, pulse la aleta negra.

Profundidad de corte

Gire el mango de elevación de la hoja (11) para fijar la hoja con la profundidad de corte requerida.

- ◆ Gire en sentido antihorario para aumentar la profundidad de corte.
- ◆ Gire en sentido horario para reducir la profundidad de corte.

Después de cada nuevo ajuste, es recomendable realizar un corte de prueba para comprobar las dimensiones ajustadas.

Nota: Se recomienda que la altura de la nueva hoja de la sierra sea de aproximadamente 3,2 mm por encima de la parte superior de la pieza de trabajo.

Montaje de la contraguía de aserrado (Figs. H e I)

- ◆ Fije la contraguía de aserrado (5) en la parte trasera y presione la palanca de bloqueo (15) hacia abajo.
- ◆ Al desmontar, tire hacia arriba de la empuñadura de bloqueo (15) y quite la contraguía de aserrado (5).
- ◆ La contraguía de aserrado puede apretarse con la tuerca moleteada trasera (5b).

Ajuste de la profundidad del corte (fig. J)

La contraguía de aserrado (5) se utiliza para el corte longitudinal del material.

- ◆ Coloque la contraguía de aserrado (5) en el carril de guía (18), a la derecha o a la izquierda de la hoja de la sierra.
- ◆ La escala del carril de guía (18) puede utilizarse para mostrar el espacio entre el carril de la contraguía y la hoja de la sierra (4) solo cuando la mesa no se encuentra en posición extendida (fig. L).
- ◆ Fije la contraguía de aserrado (5) con la especificación requerida en la mirilla y asegúrela con la palanca de bloqueo de la contraguía de aserrado (15).

Parada auxiliar (fig. J)

Al aserrar piezas de trabajo estrechas y ángulos de bisel, la parada auxiliar (5c) debe montarse en la contraguía de aserrado (5), como se muestra en la figura J1.

Al aserrar piezas de trabajo estrechas, estas pueden quedar atascadas entre la contraguía de aserrado y la hoja de la sierra, quedar atrapadas por la rotación de la hoja de la sierra y salir disparadas de la máquina. Por ello, ajuste la parada auxiliar (5c) de forma que el borde de guía se sitúe entre el diente de la hoja de sierra frontal y el extremo frontal del separador.

Uso de la guía de ingletes (fig. K).

- ◆ Presione la guía de ingletes en una ranura (1a) de la mesa de la sierra (1).
- ◆ Afloje la empuñadura de bloqueo (6a).
- ◆ Gire la guía de ingletes (6b) hasta que el ángulo requerido esté fijado.
- ◆ La escala (6c) muestra el ángulo configurado.
- ◆ Vuelva a apretar la empuñadura de bloqueo (6a).

Mesa de extensión (fig. L)

La mesa de extensión (16) puede utilizarse para piezas de trabajo especialmente anchas.

- ◆ Afloje la palanca de bloqueo (14) y saque la extensión del ancho de la mesa hasta la longitud requerida.

Ajuste del ángulo de la hoja (fig. M)

Fije el ángulo requerido de bisel de 0 a 45 grados.

- ◆ Afloje el tirador de bloqueo de ajuste del bisel (10).
- ◆ Presione la rueda de inclinación de la hoja (13) y gírela hasta el ángulo deseado.
- ◆ Configure el ángulo deseado y vuelva a bloquear el tirador (10).

Instrucciones de trabajo

Después de cada nuevo ajuste, es recomendable realizar una prueba para comprobar las dimensiones ajustadas. Después de encender la sierra, espere a que la hoja alcance la velocidad máxima de rotación antes de empezar el corte.

Las piezas de trabajo largas deben sujetarse al final del corte para que no se caigan (por ejemplo, con una base móvil).

¡Tenga especial cuidado al empezar el corte!

Cortes longitudinales

El corte longitudinal (también conocido como corte en tiras) consiste en utilizar la sierra para cortar a lo largo de la veta de la madera. Presione un borde de la pieza de trabajo contra la contraguía de aserrado (5) con el lado plano hacia la mesa de la sierra (1). El protector de la hoja (2) siempre debe bajar a la pieza de trabajo. Cuando haga un corte longitudinal, no adopte nunca una posición de trabajo que esté en línea con la dirección de corte.

- ◆ Encienda la sierra.
- ◆ Coloque las manos (con los dedos cerrados) planas en la pieza de trabajo y presione la pieza de trabajo a lo largo y en la hoja (4).
- ◆ Guíe a un lado con la mano izquierda o derecha (según la posición) solo hasta el borde frontal del protector de la hoja de la sierra (2).
- ◆ Presione siempre la pieza de trabajo hasta el final del separador (3) utilizando la varilla de empuje (19), como se muestra en la figura N.
- ◆ La pieza cortada permanece en la mesa de la sierra (1).
- ◆ Las piezas de trabajo largas deben sujetarse al final del corte para que no se caigan (con una base móvil, etc.).

¡Advertencia! Use siempre una varilla de empuje (19) cuando corte piezas pequeñas.

No corte piezas demasiado pequeñas.

Tronzado

- ◆ Bloquee la guía de ingletes (6) en 0 grado.
- ◆ Ajuste el ángulo de bisel en 0 grado.
- ◆ Ajuste la altura de la hoja de la sierra (4).
- ◆ Sostenga la pieza de trabajo horizontalmente sobre la mesa (1) y hacia la contraguía. Mantenga la pieza alejada de la hoja.
- ◆ Mantenga ambas manos alejadas de la trayectoria de la hoja de la sierra.
- ◆ Encienda la máquina y deje que la cuchilla de la sierra alcance la velocidad máxima.
- ◆ Sostenga la pieza de trabajo firmemente contra la contraguía y mueva lentamente la pieza de trabajo junto con la contraguía hasta que la pieza de trabajo llegue a la parte inferior del protector de la hoja superior.
- ◆ Deje que sean los dientes los que corten, sin forzar la pieza a través de la hoja de la sierra. La velocidad de la hoja de la sierra debe mantenerse constante.

Después de terminar de cortar, apague la máquina, deje que se pare la hoja de la sierra y saque la pieza de trabajo.

¡Advertencia! Nunca empuje ni sujete la parte de corte de la pieza.

Qué hacer en caso de atasco de la hoja

- ◆ Asegúrese de que la máquina esté desconectada de la fuente de energía.
- ◆ Extraiga la pieza de trabajo.

Tenga cuidado de no tocar la hoja de la sierra con las manos.

- ◆ Presione el protector contra sobrecargas (21) y vuelva a conectar el enchufe. La máquina puede volver a funcionar.

Después del uso

- ◆ Después del uso, limpie con un paño o similar las virutas y el polvo adheridos a la herramienta.
- ◆ Lubrique las partes deslizantes con aceite para maquinaria para evitar la herrumbre.

Protección del medioambiente



Recogida selectiva. Los productos y las baterías marcadas con este símbolo no se deben eliminar con los residuos domésticos normales.

Los productos y las baterías que contienen materiales que se puedan recuperar o reciclar reducen la demanda de materias primas. Recicle los productos eléctricos y las baterías de conformidad con la normativa local. Puede obtener más información en www.2helpU.com

Datos técnicos

		BES720 Tipo 1
Tensión	V	230
Frecuencia	Hz	50
Potencia de entrada	W	1800
Velocidad en vacío	/min	5200
Diámetro de la hoja	mm	254
Grosor del cuerpo de la hoja	mm	2.0
Rango admitido de ancho de entalladura	mm	2.8
Tamaño del orificio	mm	30
Grosor de la cuchilla separadora	mm	2.5
Profundidad máxima de corte a 45°	mm	58
Profundidad máxima de corte a 90°	mm	80
Rango de bisel de la hoja		0 - 45°
Peso	kg	27.56

Nivel de presión acústica de acuerdo con la norma EN 62841:

L_{DA} (presión acústica) 95 dB(A), incertidumbre (K) 3 dB(A)

L_{WA} (potencia acústica) 108 dB(A), incertidumbre (K) 3 dB(A)

Declaración de conformidad CE

DIRECTIVA DE MÁQUINAS



Sierra de mesa BES720

Black & Decker declara que los productos descritos en "Datos técnicos" cumplen las siguientes normas:

EN62841-1:2015, EN62841-3-9:2015+A11:2017,

Estos productos también cumplen las directivas 2006/42/CE, 2014/30/UE y 2011/65/UE.

Para más información, póngase en contacto con Black & Decker en la siguiente dirección o consulte la parte posterior del manual.

El abajo firmante es el responsable de la compilación del archivo técnico y realiza esta declaración en representación de Black & Decker.

Patrick Diepenbach

Patrick Diepenbach
Director General, Benelux
Black & Decker,
Egide Walschaertsstraat 14-18
2800 Mechelen, Bélgica
21/05/2021

Garantía

Black & Decker confía en la calidad de sus productos y ofrece a los consumidores una garantía de 24 meses a partir de la fecha de compra. Esta garantía es adicional a sus derechos legales y no los menoscaba en modo alguno. La garantía es válida dentro de los territorios de los Estados Miembros de la Unión Europea y del Área de Libre Comercio Europea.

Para reclamar la garantía, la reclamación se debe presentar de conformidad con las condiciones de Black & Decker. Tendrá que adjuntar un justificante de compra al vendedor o al agente técnico autorizado. Puede consultar las condiciones de la garantía de 2 años de Black & Decker y la ubicación de su agente técnico autorizado más cercano en el sitio web www.2helpU.com o poniéndose en contacto con su oficina local de Black & Decker en la dirección que se indica en este manual.

Visite nuestro sitio web www.blackanddecker.eu para registrar su nuevo producto Black & Decker y recibir noticias sobre nuevos productos y ofertas especiales.

Utilização pretendida

A serra de mesa BES720 da BLACK+DECKER foi concebida para o corte e corte transversal de todos os tipos de madeira em proporção com as dimensões do equipamento. Esta ferramenta destina-se apenas a utilização doméstica.

Instruções de segurança

Avisos de segurança gerais sobre ferramentas eléctricas



Atenção! Leia todos os avisos de segurança, instruções, ilustrações e especificações fornecidos com a ferramenta elétrica. O não cumprimento dos seguintes avisos e instruções pode resultar em choque eléctrico, incêndio e/ou ferimentos graves.

Guarde todos os avisos e instruções para futura referência. O termo "ferramenta eléctrica" utilizado a seguir refere-se a ferramentas eléctricas com ligação à corrente eléctrica (com fio) ou com bateria (sem fio).

1. Segurança na área de trabalho

- Mantenha a área de trabalho limpa e bem iluminada.**
As áreas desorganizadas ou escuras são propensas a acidentes.
- Não trabalhe com ferramentas eléctricas em áreas com risco de explosão, nas quais se encontrem líquidos, gases ou poeiras inflamáveis.** As ferramentas eléctricas criam faíscas que podem inflamar estas poeiras ou vapores.
- Mantenha as crianças e outras pessoas afastadas durante a utilização da ferramenta eléctrica.** As distrações podem levar à perda do controlo da ferramenta.

2. Segurança eléctrica

- As fichas da ferramenta eléctrica devem encaixar na tomada. Nunca modifique a ficha de forma alguma. Não utilize fichas adaptadoras com ferramentas eléctricas ligadas à terra.** As fichas não modificadas e as tomadas compatíveis reduzem o risco de choque eléctrico.
- Evite que o corpo entre em contacto com superfícies ligadas à terra, como tubos, radiadores, fogões e frigoríficos.** Se o seu corpo estiver "ligado" à terra, o risco de choque eléctrico é maior.
- As ferramentas eléctricas não podem ser expostas a chuva ou a humidade.** A entrada de água numa ferramenta eléctrica aumenta o risco de choque eléctrico.
- Manuseie o cabo com cuidado. Nunca o utilize para transportar, puxar ou desligar a ferramenta eléctrica.**

Mantenha o cabo afastado de fontes de calor, substâncias oleosas, arestas afiadas ou peças móveis. Os cabos danificados ou emaranhados aumentam o risco de choque eléctrico.

- Quando trabalhar com uma ferramenta eléctrica ao ar livre, utilize uma extensão adequada para esse fim.** A utilização de um cabo adequado para uso ao ar livre reduz o risco de choque eléctrico.
 - Se for inevitável trabalhar com uma ferramenta eléctrica num local húmido, utilize um dispositivo diferencial residual (DDR).** A utilização de um DDR reduz o risco de choque eléctrico.
- #### 3. Segurança pessoal
- Esteja atento, preste atenção ao que está a fazer e seja prudente quando trabalhar com uma ferramenta eléctrica. Não utilize uma ferramenta eléctrica quando estiver cansado ou sob o efeito de drogas, álcool ou medicamentos.** Um momento de distração durante a utilização de ferramentas eléctricas pode resultar em ferimentos graves.
 - Utilize equipamento de protecção individual. Use sempre protecção ocular.** O equipamento de protecção, como, por exemplo, uma máscara contra o pó, sapatos de segurança antiderrapantes, um capacete de segurança ou uma protecção auditiva, utilizado nas condições adequadas, reduz o risco de ferimentos.
 - Evite arranques involuntários. Assegure-se de que o gatilho está desligado antes de ligar a ferramenta à corrente eléctrica e/ou as baterias e antes de levantar ou transportar a ferramenta.** Se mantiver o dedo carregado no gatilho quando transportar ferramentas eléctricas ou se ligá-las à fonte de alimentação com o gatilho ligado, isso pode dar origem a acidentes.
 - Retire eventuais chaves de ajuste ou chaves de fendas antes de ligar a ferramenta eléctrica.** Uma chave de fenda ou de ajuste montada numa peça rotativa da ferramenta eléctrica pode causar ferimentos.
 - Não tente chegar a pontos fora do alcance. Mantenha sempre os pés bem apoiados e um equilíbrio adequado.** Desta forma, será mais fácil controlar a ferramenta eléctrica em situações inesperadas.
 - Use vestuário adequado. Não use roupa larga ou jóias. Mantenha o cabelo e a roupa afastados das peças móveis.** As roupas largas, as jóias ou o cabelo comprido podem ficar presos nestas peças.
 - Se for prevista a montagem de dispositivos de extracção e recolha de poeiras, assegure-se de que estão ligados e que são utilizados de forma correcta.** A utilização de dispositivos de extracção de poeiras pode reduzir os riscos inerentes.

- h. Não permita que o facto de estar familiarizado com a utilização frequente das ferramentas o torne complacente e ignore os princípios de segurança da ferramenta.** Uma acção irreflectida pode causar ferimentos graves numa fracção de segundos.
- 4. Utilização e manutenção da ferramenta eléctrica**
- a. Não sobrecarregue a ferramenta eléctrica. Utilize a ferramenta eléctrica correcta para o seu trabalho.** A ferramenta eléctrica adequada efectua o trabalho de maneira mais eficiente e segura se for utilizada de acordo com a capacidade para a qual foi concebida.
- b. Não utilize a ferramenta eléctrica se não conseguir ligar ou desligar o gatilho.** Qualquer ferramenta eléctrica que não possa ser controlada através do gatilho é perigosa e tem de ser reparada.
- c. Desligue a ficha da tomada e/ou a bateria da ferramenta eléctrica antes de proceder a ajustes, substituir acessórios ou guardar ferramentas eléctricas.** Estas medidas de segurança preventivas reduzem o risco de ligar a ferramenta eléctrica acidentalmente.
- d. Mantenha as ferramentas eléctricas que não estiverem a ser utilizadas fora do alcance das crianças. Não permita que a ferramenta eléctrica seja utilizada por pessoas não familiarizadas com a mesma ou que não tenham lido estas instruções.** As ferramentas eléctricas são perigosas nas mãos de pessoas que não possuam as qualificações necessárias para manuseá-las.
- e. Proceda à manutenção das ferramentas eléctricas. Verifique se as partes móveis estão desalinhasadas ou bloqueadas, se existem peças partidas ou qualquer outra situação que possa afectar o funcionamento das ferramentas eléctricas. Se a ferramenta eléctrica estiver danificada, esta não deve ser utilizada até que seja reparada.** Muitos acidentes têm como principal causa ferramentas eléctricas com uma manutenção insuficiente.
- f. Mantenha as ferramentas de corte afiadas e limpas.** As ferramentas de corte sujeitas a uma manutenção adequada, com arestas de corte afiadas, bloqueiam com menos frequência e controlam-se com maior facilidade.
- g. Utilize a ferramenta eléctrica, os acessórios e as peças de ferramenta, etc., de acordo com estas instruções, considerando as condições de trabalho e a tarefa a ser executada.** A utilização da ferramenta eléctrica para fins diferentes dos previstos pode resultar em situações perigosas.
- h. Mantenha os punhos e as superfícies de prensão secos, limpos e sem qualquer óleo ou gordura.**

Se tiver as mãos escorregadias e as superfícies com gordura, isso não permite um manuseamento e controlo seguros da ferramentas em situações inesperadas.

5. Assistência

- a. A ferramenta eléctrica deve ser reparada por pessoal qualificado e só devem ser colocadas peças sobresselentes idênticas.** Desta forma, é garantida a segurança da ferramenta eléctrica.

Instruções de segurança para serras de mesa

1. Avisos relacionados com protecções

- a. Mantenha as protecções instaladas. As protecções devem estar em boas condições de funcionamento e montadas correctamente.** Uma protecção solta, danificada ou que não funcione correctamente deve ser reparada ou substituída.
- b. Utilize sempre a protecção da lâmina da serra e a cunha abridora para cada operação de corte profundo.** Para operações de corte profundo em que a lâmina da serra atravesse por completo a espessura da peça de trabalho, a protecção e outros dispositivos de segurança ajudam a reduzir o risco de ferimentos.
- c. Quando terminar uma operação, volte a montar de imediato o sistema de protecção (por exemplo, quando recolher, efectuar ou efectuar novos cortes) que exija a remoção da protecção e da cunha abridora.** A protecção e a cunha abridora ajudam a reduzir o risco de ferimentos.
- d. Certifique-se de que a lâmina da serra não está em contacto com a protecção, a cunha abridora ou a peça de trabalho antes de pressionar o gatilho.** O contacto inadvertido destes objectos com a lâmina da serra pode dar origem a uma situação de perigo.
- e. Ajuste a cunha abridora como descrito neste manual de instruções.** O espaçamento, posicionamento e alinhamento incorrectos podem tornar a cunha abridora ineficaz, reduzindo a probabilidade de contra-golpe.
- f. A peça de trabalho deve ser encaixada para que a cunha abridora funcione correctamente.** A cunha abridora é ineficaz se cortar peças demasiado pequenas para encaixar na cunha abridora. Nestas condições, não é possível impedir o contra-golpe da cunha abridora.
- g. Utilize a lâmina de serra adequada para a cunha abridora.** Para que a cunha abridora funcione correctamente, o diâmetro da lâmina da serra deve corresponder à cunha abridora adequada e o corpo da lâmina da serra deve ser mais delgado do que a espessura da cunha abridora e a largura de corte da lâmina da serra deve ser maior do que a espessura da cunha abridora.

2. Avisos sobre procedimentos de corte

- a. **PERIGO: Nunca coloque os dedos ou as mãos perto ou alinhados com a lâmina da serra.** Um momento de distração ou um deslizamento podem aproximar a sua mão da lâmina da serra e causar ferimentos graves.
- b. **Insira a peça de trabalho na lâmina da serra apenas na direcção de rotação.** A inserção da peça de trabalho na direcção de rotação da lâmina da serra acima da mesa pode fazer com que a peça e a sua mão sejam puxados para a lâmina da serra.
- c. **Nunca utilize o indicador de esquadria para inserir a peça de trabalho quando fizer cortes rectilíneos e não utilize a guia longitudinal como batente longitudinal quando fizer cortes transversais com o indicador de esquadria.** A orientação da peça de trabalho com a guia longitudinal e o indicador de esquadria ao mesmo tempo aumenta a probabilidade da lâmina da serra ficar dobrada e de contra-golpe.
- d. **Quando fizer cortes rectilíneos, aplique sempre a força de inserção da peça de trabalho entre a guia e a lâmina da serra. Utilize uma haste de empurrar se a distância entre a guia e a lâmina da serra for inferior a 150 mm e utilize um bloco de empurrar se a distância for inferior a 50 mm.** Os dispositivos de "auxílio ao trabalho" mantêm a sua mão a uma distância segura da lâmina da serra.
- e. **Utilize apenas a haste de empurrar fornecida pelo fabricante ou fabricada de acordo com as instruções.** Esta haste de empurrar fornece uma distância suficiente entre a mão e a lâmina da serra.
- f. **Nunca utilize uma haste de empurrar danificada ou cortada.** Uma haste de empurrar danificada pode partir-se, fazendo com que a mão deslize na direcção da lâmina da serra.
- g. **Não efectue nenhuma operação com as mãos nuas. Utilize sempre a guia longitudinal ou a guia longitudinal para posicionar e orientar a peça de trabalho.** "Com as mãos nuas" significa utilizar as mãos para apoiar ou orientar a peça de trabalho, em vez de uma guia longitudinal ou indicador de esquadria. Se serrar com as mãos nuas pode dar origem a alinhamento incorrecto, bloqueio e contra-golpe.
- h. **Nunca coloque a mão à volta ou sobre uma lâmina da serra rotativa.** Se tentar tocar na peça de trabalho, isso pode causar um contacto acidental com a lâmina da serra em movimento.
- i. **Instale um apoio auxiliar à peça de trabalho na parte traseira ou lateral da mesa da serra para peças de trabalho compridas e/ou largas para mantê-las niveladas.** Uma peça de trabalho comprida e/ou larga tem tendência para rodar na extremidade da mesa, causando perda de controlo, bloqueio da lâmina da serra e contra-golpe.

- j. **Insira a peça de trabalho a um ritmo uniforme. Não dobre ou torça a peça de trabalho. Se a lâmina ficar encravada, desligue a ferramenta de imediato, retire a ficha da ferramenta e depois retire o pedaço encravado.** Se a lâmina da serra ficar encravada devido à peça de trabalho, isso pode causar contra-golpe ou bloqueio do motor.
- k. **Não retire pedaços de material cortado quando a serra estiver a funcionar.** O material pode ficar preso entre a guia ou no interior da protecção da lâmina da serra e a lâmina da serra pode puxar os seus dedos na direcção da lâmina da serra. Desligue a serra e aguarde até a lâmina da serra parar e depois retire o material.
- l. **Quando fizer cortes rectilíneos em peças com menos de 2 mm de espessura, utilize uma guia auxiliar em contacto com o tampo da mesa.** Se utilizar uma peça fina, esta pode ficar presa debaixo da guia longitudinal e dar origem a contra-golpe.

3. Origem dos contra-golpes e avisos relacionados

O contra-golpe é uma reacção inesperada da peça de trabalho devido a uma lâmina da serra comprimida, encravada ou a uma linha de corte desalinhada na peça no que respeita à lâmina da serra ou se uma parte da peça ficar dobrada entre a lâmina da serra e a guia longitudinal ou outro objecto fixo.

Muito frequentemente durante o contra-golpe, a peça de trabalho é levantada da mesa pela parte de trás da lâmina da serra e projectada na direcção do operador.

O contra-golpe é o resultado de uma utilização abusiva da serra e/ou de condições ou procedimentos de utilização incorrectos e pode ser evitado tomando as precauções indicadas abaixo.

- a. **Nunca se coloque directamente à frente da lâmina da serra. Coloque-se sempre no lado da lâmina da serra e da guia.**
O contra-golpe pode projectar a peça de trabalho a uma velocidade elevada na direcção de alguém que esteja à frente e alinhado com a lâmina da serra.
- b. **Nunca tente colocar a mão por cima ou por trás da lâmina da serra para puxar ou apoiar a peça de trabalho.** Pode ocorrer um contacto acidental com a lâmina da serra ou o contra-golpe pode arrastar os dedos na direcção da lâmina da serra.
- c. **Nunca segure ou pressione a peça de trabalho que esteja a ser cortada contra a lâmina da serra rotativa.** Se pressionar a peça de trabalho que está a ser cortada contra a lâmina da serra, esta pode bloquear e causar contra-golpe.
- d. **Alinhe a guia de modo a que fique paralela com a lâmina da serra.** Uma guia desalinhada irá comprimir a peça de trabalho contra a lâmina da serra e resultar num contra-golpe.

- e. **Tenha muito cuidado quando fizer um corte em áreas de peças de trabalho montadas sem visibilidade.** A lâmina da serra saliente pode cortar objectos que possam causar contra-golpe.
 - f. **Coloque painéis grandes para minimizar o risco de bloqueio e contra-golpe da lâmina da serra.** Painéis grandes tendem a ceder com o seu próprio peso. Devem ser colocados apoios debaixo de todas as partes do painel que estejam suspensas sobre o tampo da mesa.
 - g. **Tenha muito cuidado quando cortar uma peça de trabalho que esteja dobrada, com nós, torcida ou não tenha uma extremidade direita para orientá-la com um indicador de esquadria ou ao longo da guia.** Uma peça torcida, com nós ou dobrada é instável e faz com que a cunha fique desalinhada com a lâmina da serra, dobrada e pode ocorrer contra-golpe.
 - h. **Nunca corte mais de uma peça de trabalho empilhada na vertical ou na horizontal.** A lâmina da serra pode ficar presa num ou mais pedaços e causar contra-golpe.
 - i. **Antes de reiniciar a serra na lâmina da serra na peça de trabalho, centre a lâmina no corte e verifique se os dentes da serra não se encontram encaixados no material.** Se a lâmina da serra bloquear, pode levantar a peça e causar contra-golpe quando a serra for reiniciada.
 - i. **Mantenha as lâminas de serra limpas, afiadas e com uma regulação suficiente. Nunca utilize lâminas de serra dobradas ou com dentes rachados ou partidos.** As lâminas de serra afiadas e devidamente reguladas minimizam a probabilidade de dobragem, bloqueio e contra-golpe.
- 4. Avisos sobre os procedimentos de funcionamento da serra de mesa**
- a. **Desligue a serra de mesa e retire o cabo de alimentação quando retirar a guia da mesa, substituir a lâmina da serra ou efectuar ajustes na cunha abridora ou na protecção da lâmina da serra e se a máquina ficar sem assistência.** As medidas de precaução evitam acidentes.
 - b. **Nunca deixe a serra de mesa a funcionar sem assistência. Desligue-a e permaneça junto da máquina até esta parar por completo.** Uma serra em funcionamento sem assistência é um perigo descontrolado.
 - c. **Coloque a serra de mesa num local bem iluminado e nivelado onde possa colocar os pés de maneira firme e equilibrados. Deve ser instalada num local com espaço suficiente para poder lidar facilmente com o tamanho da peça de trabalho.** As áreas apertadas e escuras e os pisos escorregadios e irregulares causam acidentes.
 - d. **Limpe e retire com frequência a serradura debaixo da mesa de serra e/ou o dispositivo de recolha de poeira.**

- A serradura acumulada é combustível e pode inflamar-se.
- e. **A serra de mesa deve estar instalada com firmeza.** Uma serra de mesa que não seja instalada com firmeza pode mover-se ou cair.
- f. **Retire as ferramentas, aparas de madeira, etc., da mesa antes de ligar a serra de mesa.** Uma distração ou um possível encravamento podem ser perigosos.
- g. **Utilize sempre lâminas de serra com tamanho e forma correctos (diamante, por oposição a redondo) dos orifícios do mandril.** As lâminas de serra que não correspondam ao equipamento de montagem da serra vão ficar descentradas, resultando na perda de controlo.
- h. **Nunca utilize dispositivos de montagem de lâminas de serra danificados ou incorrectos, como flanges, anilhas para lâminas de serra, parafusos ou porcas.** Estes dispositivos de montagem foram concebidos especificamente para a sua serra, para um funcionamento seguro e excelente desempenho.
- i. **Nunca se coloque em cima da serra de mesa ou utilize-a como escadote.** Podem ocorrer ferimentos graves se a ferramenta ficar inclinada ou se entrar em contacto por acidente com a ferramenta de corte.
- j. **Certifique-se de que a lâmina de serra está instalada para rodar na direcção correcta. Não utilize mós, escovas metálicas ou discos abrasivos numa serra de mesa.** A instalação incorrecta da lâmina da serra ou o uso de acessórios não recomendados pode causar ferimentos graves.

Instruções de segurança adicionais para serras de mesa

- ◆ A utilização adequada é descrita neste manual de instruções. A utilização de qualquer acessório ou a realização de qualquer operação com esta ferramenta que não esteja incluída neste manual de instruções pode representar um risco de ferimentos e/ou danos materiais.
- ◆ Não utilize lâminas de serra rachadas/dobradas/danificadas/deformadas.
- ◆ Não utilize lâminas com um diâmetro superior ou inferior ao recomendado. Consulte os dados técnicos para obter a classificação da lâmina.



Atenção! O contacto ou a inalação de poeiras originadas pelas aplicações da serragem poderá colocar em perigo a saúde do operador ou das pessoas presentes. Utilize uma máscara especificamente concebida para protecção contra poeiras e vapores e certifique-se de que as pessoas perto da área de trabalho também estão protegidas.

- ◆ Não trabalhe com materiais que contenham amianto. O amianto é considerado cancerígeno.

- ◆ Utilize luvas quando manusear lâminas de serra e material rugoso (sempre que possível, as lâminas de serra devem ser transportadas numa caixa adequada).
- ◆ Use protecção auricular para reduzir o risco de perda de audição induzida.
- ◆ Considere a utilização de lâminas especialmente concebidas para a redução de ruído.
- ◆ Use protecção ocular para reduzir o risco de ferimentos.
- ◆ Utilize o saco para o pó fornecido quando serrar madeira.
- ◆ Escolha a lâmina correcta para o material que pretende cortar.
- ◆ Não utilize a máquina sem que a protecção esteja colocada. Não utilize a máquina se a protecção não funcionar ou se não estiver nas condições adequadas.
- ◆ Antes de cada corte, certifique-se de que a máquina está estável.
- ◆ Mantenha os punhos secos, limpos e sem qualquer óleo ou gordura.
- ◆ Mantenha a área que rodeia a máquina arrumada e isenta de materiais soltos (por exemplo, lascas e aparas).
- ◆ Certifique-se de que a máquina e a área de trabalho dispõem de iluminação geral ou localizada adequada.
- ◆ Não permita que esta máquina seja utilizada por pessoas não qualificadas.
- ◆ Antes da utilização, assegure-se de que a lâmina está montada correctamente. Assegure-se de que a lâmina roda na direcção correcta. Mantenha a lâmina afiada. Siga as instruções relativas à lubrificação e à troca de acessórios.
- ◆ Assegure-se de que a velocidade assinalada na lâmina da serra é, pelo menos, igual à velocidade assinalada na serra.
- ◆ Desligue sempre a máquina antes de realizar qualquer trabalho de manutenção ou quando substituir a lâmina.
- ◆ Nunca efectue qualquer limpeza, manutenção, remoção de aparas ou outras partes da peça da área de corte quando a máquina estiver em funcionamento e a cabeça da lâmina não estiver na posição de descanso.
- ◆ Certifique-se de que todos os punhos e botões de bloqueio estão bem apertados antes de iniciar qualquer operação.
- ◆ Nunca tente parar rapidamente a máquina em movimento colocando uma ferramenta ou outro objecto contra a lâmina; se o fizer, podem ocorrer acidentes graves.
- ◆ Consulte o manual de instruções antes de utilizar ou instalar qualquer acessório. A utilização incorrecta de um acessório pode causar danos.
- ◆ Nunca desfigure os sinais de aviso existentes na ferramenta eléctrica.
- ◆ Não se coloque sobre a ferramenta eléctrica. Poderão ocorrer ferimentos graves se a ferramenta tombar ou se entrar em contacto com a lâmina de serra.

- ◆ Depois de utilizar a máquina, não toque na lâmina de serra enquanto esta não arrefecer. A lâmina de serra fica bastante quente durante o funcionamento.
- ◆ Para evitar ferimentos causados pelo arremesso de materiais, desligue a serra para evitar o arranque accidental e, em seguida, remova os materiais de pequenas dimensões.
- ◆ Certifique-se de que a cunha abridora está ajustada na distância correcta da lâmina.

Atenção! Verifique sempre se a cunha abridora está bloqueada na respectiva posição e alinhada com a lâmina antes de cada utilização e após qualquer tarefa de manutenção.

- ◆ Antes da utilização e após qualquer tarefa de manutenção, a protecção da lâmina deve ser verificada para assegurar o funcionamento adequado. Este teste tem de ser efectuado com a serra desligada e sem estar ligada à corrente eléctrica. Se a protecção não funcionar correctamente, solicite a reparação a um técnico de reparação qualificado. Contacte os serviços de apoio ao cliente da BLACK+DECKER para obter a localização do técnico de reparação mais perto de si.
- ◆ **Esta serra de mesa foi concebida para serrar apenas madeira, plástico e metais não ferrosos.** Não utilize a serra para cortar materiais diferentes dos recomendados pelo fabricante.
- ◆ Depois de utilizar a máquina, não toque na lâmina de serra enquanto esta não arrefecer. A lâmina de serra fica bastante quente durante o funcionamento.



Atenção! O corte de plástico, madeira com seiva e outros materiais pode causar a acumulação do material derretido nas pontas da lâmina e na lâmina da serra, aumentando o risco de sobreaquecimento e dobragem da lâmina durante o corte.

Riscos residuais

Os seguintes riscos são inerentes à utilização das serras: Mesmo que os regulamentos de segurança relevantes sejam cumpridos e os dispositivos de segurança sejam implementados, alguns riscos residuais não podem ser evitados. Estes incluem:

- ◆ Ferimentos causados pelo contacto com peças em rotação/movimento.
- ◆ Danos auditivos.
- ◆ Risco de acidentes causados pelas partes não protegidas da lâmina de serra em rotação.
- ◆ Risco de ferimentos durante a substituição de peças, lâminas ou acessórios.
- ◆ Risco de entalar os dedos quando abrir as protecções.

- ◆ Perigos para a saúde causados pela inalação da poeira criada ao serrar madeira, especialmente carvalho, faia e aglomerado.
- ◆ Ferimentos causados pela utilização prolongada de uma ferramenta. Se utilizar uma ferramenta durante períodos prolongados, certifique-se de que faz pausas regularmente.

Ruído

Os valores de emissão sonora declarados foram medidos de acordo com um método de teste padrão fornecido e podem ser utilizados para comparar ferramentas.

Os valores de emissão sonora declarados podem ainda ser utilizados para uma avaliação preliminar da exposição.

Atenção! As emissões sonoras durante a utilização efectiva da ferramenta eléctrica podem ser diferentes dos valores declarados, dependendo da forma como a ferramenta é utilizada e, em especial, da maneira como a peça de trabalho é processada.

Atenção! Use sempre protecção auricular adequado. Em algumas condições e duração de utilização, o ruído produzido pelo equipamento pode causar perda auditiva. Tenha em conta os seguintes factores que influenciam a exposição ao ruído:

- ◆ Utilize lâminas de serra concebidas para reduzir o ruído emitido,
- ◆ Utilize apenas lâminas de serra bem afiadas e
- ◆ Utilize lâminas de serra especificamente concebida com redução de ruído.

Etiquetas colocadas na ferramenta

Os seguintes pictogramas, assim como o código de data, estão indicados na ferramenta:



Atenção! Para reduzir o risco de ferimentos, o utilizador deve ler o manual de instruções.



Utilize óculos ou viseiras de protecção



Utilize protecção auditiva



Utilize uma máscara contra o pó



Este produto não deve ser utilizado por crianças com menos de 16 anos



Mantenha as mãos afastadas da lâmina



Utilize luvas quando manusear lâminas de serra



Não exponha o equipamento a chuva ou humidade elevada.



Desligue a ficha de alimentação se o cabo estiver danificado ou emaranhado.



Cuidado! Leia o manual de instruções para saber qual é o procedimento correcto de ajuste e bloqueio da protecção e da cunha abridora.

Segurança eléctrica



Esta ferramenta tem isolamento duplo. Por esse motivo, não necessita de ligação à terra. Verifique sempre se a tensão da tomada de electricidade corresponde à tensão indicada na guia com os requisitos de alimentação da ferramenta.

- ◆ Se o cabo de alimentação estiver danificado, tem de ser substituído pelo fabricante ou por um centro de assistência autorizado da Stanley FatMax para evitar acidentes.

Quebras de tensão

As correntes de irrupção causam quebras de tensão de curta duração. Em condições de alimentação desfavoráveis, outro equipamento poderá ser afectado. Se a impedância de sistema da fonte de alimentação for inferior a 0,361, a ocorrência de perturbações é improvável.

Utilizar uma extensão

Utilize sempre um cabo de extensão aprovado, adequado à entrada de alimentação da ferramenta (consulte os dados técnicos). Antes da utilização, verifique se a extensão apresenta sinais de envelhecimento, danos ou desgaste. Substitua a extensão se apresentar danos ou estiver avariada. Ao utilizar uma bobina de cabo, desenrole sempre o cabo na íntegra. A utilização de uma extensão não adequada à potência da ferramenta ou que esteja danificada ou avariada pode causar incêndios ou choques eléctricos.

Componentes

Esta ferramenta inclui alguns ou todos os seguintes componentes.

1. Mesa de serra
2. Protecção da lâmina

- 2a. Armazenamento da protecção da lâmina
3. Cunha abridora
4. Lâmina da serra
- 4a. Compartimento da lâmina da serra
5. Guia longitudinal
- 5a. Armazenamento da guia longitudinal
6. Indicador de esquadria
- 6a. Armazenamento do indicador de esquadria
7. Saco da serradura
8. Interruptor de ligar/desligar
9. Suporte da perna
10. Botão de bloqueio de ajuste do bisel
11. Alavanca de elevação da lâmina
12. Botão de bloqueio do suporte da perna
13. Roda de inclinação da lâmina
14. Alavanca de bloqueio da mesa de extensão
15. Alavanca de bloqueio da guia longitudinal
16. Mesa de extensão
17. Chave de aperto X2
18. Calha-guia
19. Haste de empurrar
20. Guia da mesa
21. Protecção contra sobrecargas
22. Sistema de ajuste do nível do suporte da perna
23. Cabo de alimentação
24. Patilhas de armazenamento do cabo de alimentação

- ◆ A serra de mesa é fornecida com um sistema de ajuste do nível do suporte da perna (22), que pode ser ajustado para compensar pisos irregulares, como indicado na Figura C.

Regulação da cunha abridora (Fig. D, E e F)

Atenção! A cunha abridora (3) deve ser regulada na posição correcta para obter um corte rigoroso. No entanto, antes de utilizar pela primeira vez e antes de ligar a máquina à corrente, certifique-se de que a cunha abridora está bem fixada, alinhada com a lâmina e à distância correcta da lâmina, consulte a Fig. F. Só deve trabalhar com a máquina se a cunha abridora (3) estiver na posição superior, a não ser que utilize a serra para cortes longitudinais. **A PROTECÇÃO DEVE SER RETIRADA QUANDO FIZER CORTES LONGITUDINAIS. LEVANTE A CUNHA ABRIDORA DE IMEDIATO E VOLTE A MONTAR A PROTECÇÃO DEPOIS DE CONCLUIR QUALQUER OPERAÇÃO QUE EXIJA A REMOÇÃO DA PROTECÇÃO OU BAIXAR A CUNHA ABRIDORA.** Coloque a cunha abridora (3) na posição superior da seguinte forma:

- ◆ Retire o parafuso de fixação (20a) na guia da mesa (20) e retire-a da serra, como indicado na Figura D.
- ◆ Levante a lâmina da serra e o conjunto da cunha abridora rodando a pega de elevação da lâmina (11) para a direita, como indicado na Figura E.
- ◆ Afrouxe a alavanca de bloqueio (3a) e puxe a cunha abridora (3) para a posição superior, como indicado na Figura F.
- ◆ Coloque a alavanca de bloqueio (3a) na posição de bloqueio.

Atenção! Se não conseguir posicionar a alavanca de bloqueio (3a) no posição de bloqueio do quadrante inferior (Fig. F), pode não ser possível localizar a cunha abridora. Volte a montar a cunha abridora e reponha a alavanca de bloqueio na posição de quadrante inferior.

Atenção! A alavanca de bloqueio (3A) deve estar no quadrante inferior, abaixo da posição horizontal. Consulte a Fig. F para que fique totalmente bloqueada. Verifique isto com atenção.

Conjunto da protecção da lâmina (Fig. G)

Atenção! A cunha abridora deve ser bloqueada na posição superior antes de montar a protecção.

A protecção não deve ser montada se a cunha abridora estiver localizada e bloqueada na posição inferior.

- ◆ A protecção da lâmina (2) é fornecida com um pino de fecho com mola (2c) para localizar e fixar a protecção na cunha abridora (3). A protecção deve ser montada quando fizer cortes profundos para reduzir o risco de ferimentos.

Montagem

- ◆ Abra a caixa e levante a serra para fora.
- ◆ Coloque a serra sobre uma superfície macia e plana, como uma bancada ou uma mesa robusta.
- ◆ A máquina é fornecida com a lâmina da serra (4) regulada para 45 graus. Reponha para 0 graus de acordo com as instruções de regulação do ângulo da lâmina indicadas abaixo

Montagem do suporte da perna (Fig. A, B e C)

Nota: Os suportes da perna foram concebidos para serem montados apenas de uma maneira. Certifique-se de que as pernas ficam inclinadas sempre para fora, como indicado na capa dianteira e no esquema de montagem na página 2.

- ◆ Desaperte e retire os quatro botões de bloqueio (12), como indicado na Figura A.
- ◆ Coloque a serra de mesa ao contrário sobre uma superfície estável e insira os suportes da perna (9), como indicado na Figura B. Verifique se a orientação está correcta.
- ◆ Volte a apertar os parafusos de bloqueio dos suportes da perna (12) certificando-se de que passam através dos furos nos suportes das pernas (9) e aperte-os com firmeza, como indicado na Figura B.

- ◆ Levante a lâmina da serra e o conjunto da cunha abridora rodando a pega de elevação da lâmina (11) para a esquerda como indicado na Figura E.
- ◆ Desloque a barra na parte traseira da protecção (2b) para baixo e para a parte de trás da cunha abridora (3b).
- ◆ Carregue no pino de fecho (2c) e baixe a protecção para alinhar a parte dianteira da cunha abridora (3c)
- ◆ Liberte o pino de fecho e confirme se a protecção está bem fixa na cunha abridora.
- ◆ O utilizador só deve conseguir retirar a protecção da cunha abridora se carregar no pino de fecho (2c) e depois levantar a protecção para cima.
- ◆ Para garantir que a protecção está bem encaixada, puxe-a com cuidado para cima a partir da cunha abridora.

Limpeza das poeiras

- ◆ A serra está equipada com um saco da serradura (7), que deve ser afixada na porta de poeiras na parte traseira da unidade (como indicado na página 3) se não utilizar um aspirador.
- ◆ Se utilizar um aspirador, a entrada da protecção e a entrada da protecção são adequadas para bocais de 35 mm. O aspirador deve ser adequado para o material utilizado.
 - ◆ Quando aspirar pó seco, muito perigoso para a saúde ou cancerígeno, utilize um aspirador para pó de classe M.
 - ◆ Certifique-se de que o tubo de extracção de serradura utilizado é adequado para a aplicação e o material que está a ser cortado. Certifique-se de que o tubo é manuseado de maneira correcta

Montagem/substituição da lâmina da serra (Fig. O)

Atenção! Verifique sempre o alinhamento da cunha abridora e o funcionamento das protecções após qualquer tarefa de manutenção.

Atenção! Verifique sempre se a cunha abridora está bloqueada na respectiva posição e alinhada com a lâmina antes de cada utilização e após qualquer tarefa de manutenção.

A protecção deve ser montada quando fizer cortes profundos.

Atenção! Certifique-se de que a máquina está desligada da fonte de alimentação. Use luvas de segurança.

- ◆ Desmonte a protecção da lâmina da serra (2).
- ◆ Retire a guia da mesa (20).
- ◆ Afrouxe a porca da lâmina da serra colocando a chave de aperto (17) na porca e fazendo o oposto com outra chave de aperto (17) na flange.

Atenção! Rode a porca na direcção de rotação da lâmina da serra.

- ◆ Retire a flange exterior e retire a lâmina da serra da flange interna, com um movimento descendente na diagonal.

- ◆ Limpe com cuidado a flange antes de instalar uma nova lâmina de serra.
 - ◆ Insira a nova lâmina de serra e aperte a flange exterior.
- Atenção!** Os dentes de uma nova lâmina são muito afiados e podem ser perigosos. Certifique-se de que os dentes ficam a apontar para baixo na parte da frente da mesa, alinhados com a seta assinalada na protecção da lâmina da serra (2).
- Atenção!** Verifique sempre o alinhamento da cunha abridora e o funcionamento das protecções após qualquer tarefa de manutenção.
- Atenção!** Verifique sempre se a cunha abridora está bloqueada na respectiva posição e alinhada com a lâmina antes de cada utilização e após qualquer tarefa de manutenção. A protecção deve ser montada quando fizer cortes profundos.

Interruptor para ligar/desligar (8)

- ◆ Para ligar a máquina, levante a tampa da pá preta e pressione o botão de início verde.
- ◆ Para desligar a máquina, pressione a pá preta.

Profundidade de corte

Rode a alavanca de elevação da lâmina (11) para regular a lâmina para a profundidade de corte pretendida.

- ◆ Rode-a para a esquerda para aumentar a profundidade de corte.
- ◆ Rode-a para a direita para reduzir a profundidade de corte.

Após cada novo ajuste é aconselhável efectuar um corte de teste para verificar as dimensões definidas.

Nota: Levante a lâmina até ficar a cerca de 3,2 mm acima da parte superior da peça de trabalho.

Montagem da guia longitudinal (Fig. H e I)

- ◆ Fixe a guia longitudinal (5) na parte de trás e pressione a alavanca de bloqueio (15) para baixo.
- ◆ Quando processar à desmontagem, puxe a alavanca de bloqueio (15) para cima e retire a guia longitudinal (5).
- ◆ A guia longitudinal pode ser apertada com a porca ranhurada traseira (5b).

Regular a largura de corte (Fig. J)

A guia longitudinal (5) é utilizada para o corte longitudinal de material.

- ◆ Coloque a guia longitudinal (5) na calha-guia (18) para a direita ou esquerda da lâmina da serra.
- ◆ A régua na calha-guia (18) pode ser utilizada para mostrar a folga entre a calha-guia e a lâmina da serra (4), apenas quando a mesa não está estendida (Fig. L)
- ◆ Regule a guia longitudinal (5) para a especificação pretendida no visor e fixe-a com a alavanca de bloqueio da guia longitudinal (15).

Batente auxiliar (Fig. J1)

Quando serrar peças estreitas e ângulos do bisel, o batente auxiliar (5c) deve ser montado na guia longitudinal (5), como indicado na Figura J1.

Quando serra peças estreitas, estas podem ficar encravadas entre a guia longitudinal e a lâmina da serra, ficar presas devido à rotação da lâmina da serra ser projectadas da máquina. Por conseguinte, ajuste o batente auxiliar (5c) de modo a que a extremidade de orientação fique situada entre o dente da lâmina da serra dianteira e a extremidade dianteira da cunha abridora.

Utilizar o indicador de esquadria (Fig. K)

- ◆ Empurre o indicador de esquadria para dentro de uma ranhura (1a) na mesa de serra (1).
- ◆ Afrouxe a alavanca de bloqueio (6a).
- ◆ Rode o indicador de esquadria (6b) até o ângulo pretendido ser regulado.
- ◆ A régua (6c) mostra o ângulo definido.
- ◆ Volte a aperte a alavanca de bloqueio (6a).

Mesa de extensão (Fig. L)

A mesa de extensão (16) pode ser utilizada para peças bastante largas.

- ◆ Afrouxe a alavanca de bloqueio (14) e puxe a extensão da largura da mesa para o comprimento pretendido.

Regular o ângulo da lâmina (Fig. M)

Regule o ângulo do bisel pretendido de 0 para 45 graus.

- ◆ Desaperte o botão de bloqueio de ajuste do bisel (10).
- ◆ Empurre a roda de inclinação da lâmina (13) e rode para o ângulo pretendido.
- ◆ Regule o ângulo pretendido e depois bloqueie de novo o botão (10).

Instruções de funcionamento

Após cada novo ajuste é aconselhável efectuar um teste para verificar as dimensões definidas. Depois de ligar a serra, aguarde até a lâmina atingir a velocidade máxima de rotação antes de efectuar o corte.

Fixe a peça de trabalho comprida para impedir que caia na extremidade do corte (por exemplo, com um suporte de rolo, etc.). Esteja muito atento quando iniciar o corte!

Fazer cortes longitudinais

Um corte longitudinal (também conhecido como acto de fender) é efectuado quando utiliza a serra para cortar ao longo do grão da madeira. Pressione uma extremidade da peça de trabalho contra a guia longitudinal (5) com o lado achatado na mesa de serra (1). A protecção da lâmina (2) deve ser sempre baixada sobre a peça de trabalho. Quando fizer um corte longitudinal, nunca adopte uma posição de trabalho que esteja alinhada com a direcção de corte.

- ◆ Ligue a serra.
- ◆ Coloque as mãos (com os dedos fechados) achatadas sobre a peça de trabalho e empurre a peça ao longo e para dentro da lâmina (4).
- ◆ Oriente na parte lateral com a mão esquerda ou direita (dependendo da posição) apenas a extremidade dianteira da protecção da lâmina da serra (2).
- ◆ Empurre sempre a peça de trabalho até à extremidade da cunha abridora (3) utilizando a haste de empurrar (19), como indicado na Figura N.
- ◆ As aparas permanecem na mesa de serra (1).
- ◆ Fixe a peça de trabalho comprida para impedir que caia na extremidade do corte com um suporte de rolo, etc.

Atenção! Utilize sempre a haste de empurrar (19) quando escarificar peças pequenas.

Não corte peças demasiado pequenas.

Corte transversal

- ◆ Bloqueie o indicador de esquadria (6) a um ângulo de 0 graus.
- ◆ Regule o ângulo de bisel para 0 graus.
- ◆ Ajuste a altura da lâmina da serra (4).
- ◆ Segure a peça achatada sobre a mesa (1) e a guia. Mantenha a peça afastada da lâmina.
- ◆ Mantenha ambas as mãos afastadas do percurso da lâmina de serra.
- ◆ Ligue a máquina e aguarde até a lâmina da serra atingir a velocidade total.
- ◆ Segure a peça de trabalho com firmeza contra a guia e mova lentamente a peça em conjunto com o conjunto da guia até a peça ficar debaixo da protecção da lâmina superior.
- ◆ Permita que os dentes cortem a peça e não a force contra a lâmina da serra. A velocidade da lâmina da serra deve ser sempre constante.

Depois de efectuar o corte, desligue a máquina, aguarde até a lâmina da serra parar e retire a peça.

Atenção! Nunca empurre ou mantenha pressionado o lado recortado da peça.

Desbloquear a lâmina

- ◆ Certifique-se de que a máquina está desligada da fonte de alimentação.
- ◆ Retire a peça. Tenha cuidado para que as mãos não toquem na lâmina da serra.
- ◆ Pressione a protecção contra sobrecargas (21) e ligue de novo a ficha para poder continuar a utilizar a máquina.

Após a utilização

- ◆ Após a utilização, limpe as aparas e a poeira colada na ferramenta com um pano ou algo semelhante.
- ◆ Lubrifique as partes deslizantes com óleo de máquina para impedir que enferrujem.

Protecção do ambiente



Faça uma recolha de lixo selectiva. Os produtos e as baterias assinalados com este símbolo não devem ser eliminados juntamente com o lixo doméstico normal.

Os produtos e as baterias contêm materiais que podem ser recuperados ou reciclados, reduzindo assim a necessidade de matérias-primas. Recicle os produtos eléctricos e as baterias de acordo com as disposições locais. Estão disponíveis mais informações em www.2helpU.com

Dados técnicos

		BES720 Tipo 1
Tensão	V	230
Frequência	Hz	50
Alimentação	W	1800
Velocidade sem carga	/min	5200
Diâmetro da lâmina	mm	254
Espessura do corpo da lâmina	mm	2,0
Gama permitida da largura de corte	mm	2,8
Tamanho do furo	mm	30
Espessura da cunha abridora	mm	2,5
Profundidade máx. de corte a 45°	mm	58
Profundidade máx. de corte a 90°	mm	80
Intervalo do bisel da lâmina		0 - 45°
peso	kg	27,56

Nível de pressão sonora de acordo com a norma EN 62841:

L_{pa} (pressão acústica) 95 dB(A), variabilidade (K) 3 dB(A)

L_{wa} (potência acústica) 108 dB(A), variabilidade (K) 3 dB(A)

Declaração de conformidade CE

DIRECTIVA "MÁQUINAS"



Serra de mesa BES720

A Black & Decker declara que os produtos descritos nos "dados técnicos" estão em conformidade com: EN62841-1:2015, EN62841-3-9:2015+A11:2017, Estes produtos estão também em conformidade com as directivas 2006/42/CE, 2014/30/UE e 2011/65/UE.

Para obter mais informações, contacte a Black & Decker através do endereço seguinte ou consulte o verso do manual.

O signatário é responsável pela compilação do ficheiro técnico e efetua esta declaração em nome da Black & Decker.

Patrick Diepenbach

Patrick Diepenbach
Director-Geral, Benelux
Black and Decker,
Egide Walschaertsstraat 14-18
2800 Mechelen, Bélgica
21/05/2021

Garantia

A Black & Decker confia na qualidade dos seus produtos e oferece aos clientes uma garantia de 24 meses a partir da data de compra. Esta garantia é um complemento dos seus direitos estabelecidos por lei, não os prejudicando de forma alguma. A garantia é válida nos Estados-membros da União Europeia e nos países-membros da Zona Europeia de Comércio Livre.

Para accionar a garantia, esta deve estar em conformidade com os termos e condições da Black & Decker e terá de apresentar comprovativos de compra ao vendedor ou a um técnico de reparação autorizado. Os termos e condições da garantia de 2 anos da Black & Decker e a localização do técnico de reparação autorizado mais próximo podem ser obtidos na Internet em www.2helpU.com ou contactando uma filial da Black & Decker local, cuja morada está indicada neste manual.

Visite o nosso Website www.blackanddecker.eu para registar o novo produto Black & Decker e receber actualizações sobre novos produtos e ofertas especiais.

Avsedd användning

Din BLACK+DECKER BES720 bordssåg har designats för sågning och kapning av alla typer av virke som står i proportion till maskinens storlek. Detta verktyg är endast avsett för konsumentbruk.

Säkerhetsinstruktioner

Allmänna säkerhetsanvisningar för elverktyg



Varning! Läs alla säkerhetsvarningar, instruktioner, illustrationer och specifikationer som levereras med elverktyg. Fel som uppstår till följd av att varningarna och instruktionerna som listas nedan inte följs kan orsaka elstöt, brand och/eller allvarliga kroppsskador.

Spara alla säkerhetsföreskrifter och anvisningar för framtida bruk. Begreppet "Elverktyg" i alla varningar som listas nedan avser nätdrivna elverktyg (med nätsladd) och batteridrivna elverktyg (sladdlösa).

1. Säkerhet på arbetsplatsen

- Se till att arbetsområdet är rent och väl belyst.** Belamrade och mörka områden inbjuder till olyckor.
- Använd inte elverktyget i explosionsfarlig omgivning, t.ex. i närheten av brännbara vätskor, gaser eller damm.** Elverktyg skapar gnistor som kan antända damm eller ångor.
- Håll barn och åskådare på avstånd vid arbete med elverktyget.** Distractioner kan göra att du förlorar kontrollen.

2. Elsäkerhet

- Elverktygets stickkontakt måste passa i eluttaget. Modifiera aldrig kontakten på något sätt. Använd inga adapterkontakter tillsammans med jordade elverktyg.** Icke modifierade kontakter och passande uttag minskar risken för elektrisk stöt.
- Undvik kroppskontakt med jordade ytor, t.ex. rör, värmeelement, spisar och kylskåp.** Det finns en ökad risk för elektrisk stöt om din kropp är jordansluten eller jordad.
- Utsätt inte elverktyget för regn eller våta omgivelningar.** Vatten som kommer in i ett elverktyg ökar risken för elektrisk stöt.
- Misshandla inte nätsladden. Använd aldrig sladden för att bära, dra eller koppla bort elverktyget från uttaget. Håll sladden borta från värme, olja, skarpa kanter eller rörliga delar.** Skadade eller tilltrasslade sladdar ökar risken för elektrisk stöt.
- Använd en förlängningssladd som lämpar sig för utomhusbruk när du arbetar med elverktyg utomhus.** Användning av en sladd som är lämplig för utomhusbruk minskar risken för elektriska stötar.

- Om du måste använda ett elverktyg på en fuktig plats, bör du använda en strömförsörjning med jordfelsbrytare.** Användning av en jordfelsbrytare minskar risken för elektrisk stöt.

3. Personlig säkerhet

- Var uppmärksam, se på vad du gör och använd sunt omdöme när du använder elverktyget. Använd inte ett elverktyg när du är trött eller påverkad av droger, alkohol eller mediciner.** Ett ögonblicks ouppmärksamhet när du arbetar med elektriska verktyg kan leda till allvarliga personskador.
- Använd personlig skyddsutrustning. Använd alltid skyddsglasögon.** Skyddsutrustning såsom skyddsmask, halksäkra säkerhetskor, skyddshjälm eller hörselskydd som används för lämpliga förhållanden minskar personskador.
- Förhindra oavsiktlig start. Kontrollera att strömbrytaren står i avstängt läge innan du ansluter verktyget till elnätet eller sätter i batteriet, samt innan du tar upp eller bär verktyget.** Att bära elektriska verktyg med fingret på strömbrytaren eller att koppla strömmen till elektriska verktyg när strömbrytaren är på leder till olyckor.
- Ta bort alla inställningsverktyg och skruvnycklar innan du startar elverktyget.** Ett verktyg eller en nyckel som har lämnats kvar på en roterande del av det elektriska verktyget kan orsaka kroppsskador.
- Sträck dig inte för mycket. Ha ordentligt föfäste och balans hela tiden.** Detta möjliggör bättre kontroll av elverktyget i oväntade situationer.
- Bär lämpliga kläder. Bär inte lösa kläder eller smycken. Håll hår och kläder borta från delar i rörelse.** Lösa kläder, smycken eller långt hår kan fastna i rörliga delar.
- Om enheten har dammsugnings- och uppsamlingsutrustning, se till att den är ansluten och används på korrekt sätt.** Användning av dammuppsamling kan minska dammrelaterade risker.
- Låt inte förtrogenheten som uppstått genom regelbunden användning av verktyg låta dig bli självsäker och ignorera verktygets säkerhetsprinciper.** En oförsiktig handling kan orsaka allvarliga skador under bräkdelen av en sekund.

4. Användning och skötsel av elverktyg

- Överbelasta inte elverktyget. Använd rätt elverktyg för ditt arbete.** Det korrekta elverktyget gör arbetet bättre och säkrare vid den hastighet för vilket det konstruerades.
- Använd inte elverktyget om det inte kan startas och stängas av med strömbrytaren.** Ett elverktyg som inte kan kontrolleras med strömbrytaren är farligt och måste repareras.

- c. **Dra stickproppen ur vägguttaget och/eller ta ut batteriet ur elverktyget innan inställningar görs, tillbehör byts ut eller elverktyget ställs undan.** Sådana förebyggande säkerhetsåtgärder minskar risken att oavsiktligt starta elverktyget.
 - d. **Förvara elverktyg utom räckhåll för barn och låt inte personer som är ovana vid elverktyget eller som inte läst denna bruksanvisning använda det.** Elverktyg är farliga i händerna på ovana användare.
 - e. **Underhålla elverktyg och tillbehör. Kontrollera att rörliga komponenter fungerar felfritt och inte kärvar, att komponenter inte gått sönder eller skadats och inget annat föreligger som kan påverka elverktygets funktion. Om det är skadat, se till att elverktyget blir reparerat före användning.** Många olyckor orsakas av dåligt underhållna elektriska verktyg.
 - f. **Håll skärande verktyg vassa och rena.** Korrekt underhållna kapverktyg med vassa skär är mindre troliga att de fastnar och är lättare att kontrollera.
 - g. **Använd elverktyg, tillbehör, bits m.m. enligt dessa anvisningar, samtidigt som arbetsförhållandena och det arbete som ska utföras beaktas.** Användning av elverktyget för andra uppgifter än vad som avsetts kan resultera i farliga situationer.
 - h. **Håll handtagen och greppytorna torra, rena och fria från olja och fett.** Hala handtag och feta ytor förhindrar säker hantering och kontroll av verktyget i oväntade situationer.
- 5. Service**
- a. **Låt en kvalificerad reparatör som bara använder identiska reservdelar utföra service på elverktyget.** Detta säkerställer att elverktygets säkerhet bibehålls.

Säkerhetsinstruktioner för bordssågar

1. Vägledande varningar

- a. **Håll skydden på plats. Skydden måste fungera och vara korrekt monterade.** Ett skydd som sitter löst eller inte fungerar korrekt måste repareras eller bytas.
- b. **Använd alltid sågklingkydd och spaltkniv vid varje genomsågningsarbete.** För genomsågningsarbeten där sågklingan sågar helt igenom arbetsstyckets tjocklek hjälper skyddet och andra enheter till att reducera skaderisken.
- c. **Sätt omedelbart tillbaka skyddssystemet efter att ett arbete avslutats (såsom falsning, bröstlistsågning eller klyvsågning) vilka kräver borttagning av skyddet och spaltkniven.** Skyddet och spaltkniven hjälper till att minska risken för skador.
- d. **Se till att sågklingan inte kommer i kontakt med skyddet, spaltkniven eller arbetsstycket innan strömbrytaren slås på.** Oavsiktlig kontakt med dess delar med sågklingan kan orsaka allvariga situationer.

- a. **Justera spaltkniven enligt beskrivning i den här bruksanvisningen.** Vid fel avstånd, placering eller justering kan göra att spaltkniven ineffektiv för att reducera risken för rekyl.
- f. **För att spaltkniven ska fungera måste den vara i arbetsstycket.** Spaltkniven är ineffektiv vid sågning av arbetsstycken som är alltför korta att aktiveras med spaltkniven. Under dessa förhållanden kan inte en rekyl förhindras av spaltkniven.
- g. **Välj rätt sågklinga för spaltkniven.** För att spaltkniven ska fungera korrekt måste sågklingans diameter matcha den lämpliga spaltkniven och stommen på sågklingan måste vara tunnare än spaltkniven och klingans sågbredd måste vara bredare än spaltknivens tjocklek.

2. Sågningsprocedurer varningar

- a. **FARA: Placera aldrig fingrarna eller händerna i närheten eller i linje med sågklingan.** Ett ögonblicks uppmärksamhet eller glidning med handen kan föra in din hand mot sågklingan vilket kan resultera i allvariga skador.
- b. **Mata endast in arbetsstycket i sågklingan mot rotationsriktningen.** Matning av arbetsstycket i samma riktning som sågklingan roterar över bordet kan resultera i att arbetsstycket och din hand dras in i sågklingan.
- c. **Använd aldrig geringsmätaren för att mata arbetsstycket vid klyvning och använd inte klyvningsanslaget som längdstopp vid kapping med geringsmätaren.** Styrning av arbetsstycket med klyvningsanslaget och geringsmätaren samtidigt ökar risken för att sågklingan fastnar och ger en rekyl.
- d. **Vid klyvning, använd alltid arbetsstycket matningskraft mellan anslaget och sågklingan.** Använd en påskjutare när avståndet mellan anslaget och sågklingan är mindre än 150 mm och använd ett påskjutarblock när avståndet är mindre än 50 mm. "Arbetshjälpare" enheter kommer att hålla din hand på ett säkert avstånd från sågklingan.
- e. **Använd endast påskjutaren som medföljer från tillverkaren eller som tillverkats i enlighet med instruktionerna.** Denna påskjutaren ger tillräckligt avstånd för handen från sågklingan.
- f. **Använd aldrig en skadad eller tillsagd påskjutare.** En skadad påskjutare kan gå sönder och göra att handen halkar in i sågklingan.
- g. **Utför inte något arbete på "fri hand". Använd alltid antingen klyvningsanslaget eller geringsmätaren för att positionera och styra arbetsstycket.** "Fri hand" betyder att du använder dina händer för att stödja eller styra arbetsstycket i linje med klyvningsanslaget eller geringsmätaren. Frihandssågning leder till felriktning, kärvning eller rekyl.

- h. **Sträck dig aldrig runt eller över en roterande sågklinga.** Att sträcka sig efter ett arbetsstycke kan leda till oavsiktlig kontakt med den rörliga sågklingan.
- i. **Ge hjälpande stöd åt arbetsstycken på baksidan och/eller sidorna på sågbordet för långa och/eller breda arbetsstycken för att hålla dem plant.** Ett långt och/eller brett arbetsstycke har en tendens att vrida sig på bordets kanter och göra att kontrollen förloras, sågklingan kärvar och ger en rekyl.
- j. **Mata arbetsstycket i jämn takt. Böj inte eller vrid arbetsstycket. Om kärvning uppstår, stäng omedelbart av verktyget och rensa kärvningen.** Kärvning av sågklingan av arbetsstycket kan orsaka rekylar eller att motorn fastnar.
- k. **Ta inte bort delar av sågat material medan sågen körs.** Materialet kan fastna mellan anslaget eller inuti sågklingans skydd och sågen drar in dina fingrar in mot sågklingan. Stäng av sågen och vänta tills sågklingan stamma innan materialet tas bort.
- l. **Använd ett hjälpanslag i kontakt med bordsskivan vid klyvning av arbetsstycken smalare än 2 mm.** Ett tunt arbetsstycke kan kila sig under klyvningsanslaget och skapa en rekyl.

3. Orsaker till rekylar och relaterade varningar

Rekyl är en plötslig reaktion hos arbetsstycket på grund av att sågklingan kläms eller nypas fast eller felinriktad såglinje i arbetsstycket i förhållande till sågklingan eller när en del av arbetsstycket kläms fast mellan sågklingan och klyvningsanslaget eller annat fast föremål.

Vanligast under rekylar är att arbetsstycket lyfts från bordet med bakre delen av sågklingan och kastas mot operatören. Rekyl är resultatet av felanvändning av verktyget och/eller felaktiga arbetsprocedurer eller arbetsförhållanden, och kan undvikas genom att vidta ordentliga försiktighetsåtgärder så som beskrivs här nedan.

- a. **Stå aldrig i direkt linje med sågklingan. Placera alltid kroppen på samma sida om sågbordet som anslaget.** Rekylar kan kasta arbetsstycket med hög hastighet mot alla som står framför och i linje med sågklingan.
- b. **Sträck dig aldrig över eller bakom sågklingan för att dra eller stödja arbetsstycket.** Oavsiktlig kontakt med sågklingan kan ske eller rekylar kan dra dina fingrar in mot sågklingan.
- c. **Håll aldrig eller tryck arbetsstycket som sågas mot den roterande sågklingan.** Tryck på arbetsstycket som kapas mot sågklingan kommer att göra att det kärvar och orsaka en rekyl.
- d. **Rikta in anslaget parallellt mot sågklingan.** Ett felinriktat anslag kommer att nypa fast arbetsstycket mot sågklingan och skapa en rekyl.
- e. **Var extra försiktig när sågning görs i dolda områden på monterade arbetsstycken.** Den inträngande sågklingan kan såga föremål som kan orsaka rekylar.
- f. **Stöd stora arbetsstycken för att minimera risken att sågklingan kärvar och för rekylar.** Stora arbetsstycken böjs ofta av sin egen vikt. Stöd måste placeras under alla delar av skivan som hänger utanför bordsskivan.
- g. **Var extra försiktig vid sågning av ett arbetsstycke som är vridet, knöligt, skevt eller inte har raka kanter för att styras med en geringssåg eller längs med anslaget.** Ett skevt, knöligt eller vridet arbetsstycke är instabilt och orsakar felinriktningar hos spaltkniven mot sågklingan med kärvning och rekyl som resultat.
- h. **Såga aldrig mer än ett arbetsstycke staplade vertikalt eller horisontellt.** Sågklingan kan lyfta upp en eller flera delar och orsaka en rekyl.
- i. **Om du startar om sågen när sågklingan befinner sig i arbetsstycket ska du centrera sågklingan i snittet och kontrollera att sågtänderna inte sitter fast i materialet.** Om sågklingan fastnar kan det klättra uppåt eller kastas ut från arbetsstycket när sågen startas igen.
- i. **Håll sågklingor rena, vassa och med tillräcklig inställning. Använd aldrig skeva sågklingor eller sågklingor med spruckna eller trasiga tänder.** Vassa och korrekt inställda sågklingor minimerar kärvning, att den fastnar och rekylar.

4. Bordssåg driftprocedurvarningar

- a. **Stäng av bordssågen och koppla ifrån strömsladden när bordsinsatsen tas bort, sågklingan byts eller inställningar görs på spaltkniven eller sågklingans skydd och när maskinen är utan uppsikt.** Förebyggande åtgärder gör att olyckor undviks.
- b. **Lämna aldrig bordssågen utan uppsikt när den är igång. Stäng av den och lämna inte verktyget innan den stannat helt.** En såg som körs utan uppsikt utgör en okontrollerad fara.
- c. **Placera bordssågen på en väl upplyst och jämn yta där du kan ha bra fötäste och balans. Den skall installeras på en plast som har tillräckligt med utrymme för att enkelt kunna hantera storleken på dit arbetsstycke.** Trånga och mörka områden och ojämna hala golv inbjuder till olyckor.
- d. **Rengör regelbundet och ta bort sågdamm från undersidan av bordssågen och/eller från dammuppsamlingsenheten.** Ackumulerat sågdamm är brännbart och kan självantända.
- e. **Bordssågen måste sitta fast.** En bordssåg som inte är ordentligt fastsatt kan flytta sig eller tippa.
- f. **Ta bort verktyg, träskräp etc. from bordet innan bordssågen slås på.** Ouppmärksamhet eller potentiell klämning kan vara farligt.
- g. **Använd alltid sågklingor med rätt storlek och lämpligt infästningshål (t.ex. i stjärnform eller rund).**

Sågklingor som inte passar till sågens monteringskomponenter roterar excentriskt och leder till att kontrollen förloras över sågen.

- h. Använd aldrig skadade eller felaktiga monteringshjälpmedel för sågklingor såsom flänsar, brickor till sågklingor, bultar eller muttrar.** Dessa monteringshjälpmedel är särskilt designade för din såg, för säker drift och optimal prestanda.
- i. Stå aldrig på bordssågen, använd inte den som en klätterstol.** Allvarliga skador kan uppstå om verktyget tippar eller om oavsiktlig kontakt sker med sågverktyget.
- j. Se till att sågklingan är installerad så att den roterar i korrekt riktning. Använd inte vinkelslipskivor, stålborstar eller slipskivor på bordssågen.** Felaktiga sågklingor som installerats eller används som tillbehör som inte rekommenderats kan orsaka allvarliga skador.

Ytterligare säkerhetsinstruktioner för bordssågar

- ◆ Avsedd användning beskrivs i denna bruksanvisning. Om andra tillbehör eller tillsatser används, eller om någon annan åtgärd än de som rekommenderas i den här bruksanvisningen utförs med verktyget, kan personer och/eller egendom ta skada.
- ◆ Använd inte spruckna, böjda, skadade eller deformerade klingor.
- ◆ Använd inte klingor med större eller mindre diameter än rekommenderat. För korrekt klingklassificering se tekniska data.



Varning! Sågning ger upphov till damm som kan skada den som använder verktyget och andra i närheten vid kontakt eller inandning. Använd en specialkonstruerad ansiktsmask som skyddar mot damm och ångor och se till att personer som vistas inom eller i närheten av arbetsområdet också är skyddade.

- ◆ Arbeta aldrig med material som innehåller asbest. Asbest anses vara cancerframkallande.
- ◆ Bär handskar när du hanterar sågklingor och grova material (sågklingor ska bäras i en hållare när det är möjligt).
- ◆ Använd hörselskydd för att minska risken för hörselskador.
- ◆ Använd om möjligt specialkonstruerade och bullerdämpande klingor.
- ◆ Använd ögonskydd för att minska risken för personskador.
- ◆ Använd den medföljande damppåsen när du sågar i trä.
- ◆ Välj korrekt sågklinga för det material som skall sågas.
- ◆ Använd inte maskinen utan att montera skyddet. Använd inte maskinen om skyddet inte fungerar eller inte rätt underhållet.
- ◆ Innan varje sågning se till att maskinen är stabil.
- ◆ Håll handtagen torra, rena och fria från olja och fett.

- ◆ Håll området runt maskinen välordnat och fritt från löst material, t.ex. spån och spillbitar.
- ◆ Se till att maskinen och arbetsområdet har tillräcklig allmän- eller direktbelysning.
- ◆ Låt inte oerfarna personer använda den här maskinen.
- ◆ Kontrollera att klingan är korrekt monterad innan användning. Se till att klingan roterar i korrekt riktning. Håll klingan vass. Följ anvisningen för smörjning och byte av tillbehör.
- ◆ Se till att hastigheten som markerats på sågklingan är minst lika med den hastighet som är markerad på sågen.
- ◆ Koppla alltid bort maskinen från elnätet innan något underhåll utförs eller när klingan byts.
- ◆ Utför aldrig rengöring, underhåll eller borttagning av spillbitar eller andra delar av arbetsstycket inom kapområdet när maskinen är igång och såghuvudet inte är i viloläge.
- ◆ Se till att alla låsrattar och handtag är ordentligt åtdragna innan du börjar arbeta.
- ◆ Försök aldrig att snabbt stoppa maskinen när den roterar genom att slå ett verktyg eller liknande mot klingan eftersom det kan leda till allvarliga olyckor.
- ◆ Läs bruksanvisningen innan du använder eller monterar något tillbehör. Felaktig användning av ett tillbehör kan orsaka skador.
- ◆ Se alltid till att elverktygets varningsskyltar går att läsa.
- ◆ Stå aldrig på elverktyget. Elverktyget kan tippa över eller du kan komma åt sågklingan, vilket kan leda till allvarliga skador.
- ◆ Vidrör aldrig sågklingan innan den har svalnat. Sågklingan blir mycket varm under arbetet.
- ◆ Undvik att bitar kastas iväg genom att dra ut sågens nätsladd så att den inte startas oavsiktligt och ta sedan bort småbitar.
- ◆ Se till att spaltkniven är inställd på korrekt avstånd från klingan.

Varning! Kontrollera alltid att spaltkniven är låst på plats och i linje med bladet före varje användning och efter underhåll.

- ◆ Kontrollera att klingskyddet fungerar korrekt innan användning och efter underhåll. Denna kontroll måste göras med sågen avstängd och nätsladden urdragen. Om skyddet inte fungerar på rätt sätt ska det repareras av en utbildad reparatör. Kontakta BLACK+DECKER kundtjänst för att hitta närmaste återförsäljare.
- ◆ **Den här bordssågen har designats endast för sågning av trä, plast och icke-järnhaltiga metaller.** Använd inte sågen för att såga andra material än de som rekommenderas av tillverkaren.
- ◆ Vidrör aldrig sågklingan innan den har svalnat. Sågklingan blir mycket varm under arbetet.



Varning! Sågning i plast, savtäckt trä eller annat material kan orsaka att smält material ackumuleras på klingspetsarna och själva sågklingan vilket ökar risken för att klingan överhettas och kärvar under sågningen.

Återstående risker

Följande risker följer med användning av sågar:

Även om alla relevanta säkerhetsanvisningar följs och säkerhetsanordningar används kan vissa ytterligare risker inte undvikas. Dessa omfattar:

- ◆ Skador orsakade av att roterande/rörliga delar vidrörs.
- ◆ Hörselnedsättning.
- ◆ Olycksrisker som orsakas av den roterande klingans oskyddade delar.
- ◆ Risk för skador som uppstår vid byte av delar, klingor eller tillbehör.
- ◆ Risk att fingrar kläms när skydden öppnas.
- ◆ Hälssofaror orsakade av inandning av damm som uppkommer vid sågning av trä, särskilt ek, bok och MDF.
- ◆ Skador som orsakas av långvarig användning av ett verktyg. Se till att regelbundet ta vilopausar när du använder ett verktyg under en längre period.

Buller

De uppgivna bullervärdena har uppmätts i enlighet med en standardtestmetod och kan användas för jämförelser med andra verktyg.

De angivna bullervärdena kan även användas för en preliminär bedömning av exponeringen.

Varning! Bullervärdena under faktisk användning av elverktyget kan skilja sig från de uppgivna värdena beroende på hur verktyget används, särskilt vilka typer av arbetsstycken som behandlas.

Varning! Använd alltid personliga hörselskydd. Under vissa omständigheter och vid användning kan buller från denna produkt bidra till hörselskador. Var uppmärksam på följande faktorer som påverkar exponeringen för buller:

- ◆ Använd sågklingor som konstruerats för att minska bullernivån,
- ◆ Använd endast väl slipade sågklingor och
- ◆ Använd särskilt designade bullerreducerande sågklingor.

Etiketter på verktyget

Följande symboler tillsammans med datumkoden är synliga på verktyget:



Varning! Läs bruksanvisningen före användning för att minska risken för personskador.



Använd säkerhetsglasögon eller skyddsglasögon



Bär hörselskydd



Använd en andningsmask



Denna produkt får inte användas av barn under 16 år



Håll alltid händerna undan från klingan



Bär handskar när du hanterar sågklingor



Utsätt inte apparaten för regn eller hög luftfuktighet.



Koppla ifrån elkontakten om sladden skadas eller traslar ihop sig.



Försiktighet! Läs bruksanvisningen för korrekt justering och låsning av skyddet och spaltkniven.

Elsäkerhet



Eftersom verktyget är dubbelisolerat behövs ingen jordledare. Kontrollera alltid så att spänningen på nätet motsvarar den spänning som finns angiven på märkplåten.

- ◆ Om nätsladden är skadad måste den bytas ut av tillverkaren eller ett auktoriserat Stanley FatMax servicecenter för att farliga situationer ska undvikas.

Spänningsfall

Inkopplingsströmmar orsakar korta spänningsfall.

Annan utrustning kan påverkas under ogymsamma strömförhållanden. Om spänningskällans systemimpedans är lägre än 0,361 Ω kommer sannolikt inga störningar att inträffa.

Använda förlängningsladd

Använd alltid en godkänd förlängningsladd som klarar verktygets ineffekt (se Tekniska data). Innan du använder sladden, kontrollera att den inte är skadad, sliten eller nött. Byt ut förlängningsladden om den är skadad eller defekt. Om du använder en sladdvinda, vira alltid av sladden fullständig. Om du använder en förlängningsladd som inte är lämplig för verktyget eller som är skadad eller defekt ökar risken för brand och elektriska stötar.

Funktioner

Detta verktyg har några eller samtliga av följande funktioner.

1. Sågbord
2. Bladskydd
- 2a. Förvaringsutrymme klingskydd
3. Spaltkniv
4. Sågblad
- 4a. Förvaringsutrymme för sågklinga
5. Klyvningsanslag
- 5a. Förvaringutrymme klyvningsanslag
6. Geringsmätare
- 6a. Förvaringsutrymme geringsmätare
7. Damppåse
8. Strömbrytare
9. Benställning
10. Låsrratt fasinställning
11. Handtag klinghöjning
12. Låsrratt benställning
13. Lutningshjul klinga
14. Låshandtag för förlängningsbord
15. Låshandtag för klyvningsanslag
16. Förlängningsbord
17. Skiftnyckel X2
18. Styrskena
19. Påskjutare
20. Bordsinsats
21. Överbelastningsskydd
22. Nivåjustering benställning
23. Strömkabel
24. Förvaringskrokar strömkabel

Montering

- ◆ Öppna lådan och lyft ut sågen.
- ◆ Placera sågen på en jämn och plan yta såsom en arbetsbänk eller ett stadigt bord.
- ◆ Maskinen levereras med sågklingan (4) inställd på 45 grader. Återställ till 0 grader enligt inställningen av bladvinkelinstruktionerna nedan

Montering av benställningen (bild A, B och C)

Notera: Benställningen har designats så att den endast kan monteras på ett sätt för att garantera att benen alltid lutar utåt såsom visas på framsidan och i monteringsritningen på sidan 2.

- ◆ Skruva loss och ta bort benställningens alla fyra låsrrattar (12) såsom visas i bild A.
- ◆ Placera bordssågen upp och ned på en stabil yta och sätt in benställningarna (9) såsom visas i bild B. Se till att de är korrekt inriktade.
- ◆ Sätt tillbaka benställningens låsrrattar (12) se till att de passerar genom hålen på benställningarna (9) och dra åt såsom visas i bild B.

- ◆ Bordsågen levereras med en nivåjusterare (22) för benställningen, denna kan justeras för att kompensera för ojäma golv såsom visas i bild C.

Inställning av spaltkniv (bild D, E och F)

Varning! Spaltkniven (3) ska levereras i rätt läge för kapning. Innan du använder maskinen och innan du ansluter maskinen till strömförsörjningen, se till att spaltkniven sitter fast, i linje med kniven och rätt avstånd från kniven - se bild F. Arbeta bara med maskinen om spaltkniven (3) är i det övre läget såvida inte sågen används för skärning. SKYDDET MÅSTE TAS BORT VID SKÄRNING. HÖJ OMEDELBART SPALTKNIVEN OCH SÄTT TILLBAKA SKYDDEN EFTER SLUTFÖRANDE AV ANVÄNDNING SOM KRÄVER BORTTAGNING AV SKYDD ELLER SÄNKNING AV SPALTKNIVEN. Fästa spaltkniven (3) i övre positionen enligt följande:

- ◆ Ta bort säkerhetsskruven (20a) på bordsinsatsen (20) och lyft bort bordsinsatsen från sågen såsom visas i bild D.
- ◆ Høj upp sågklingan och spaltkniven genom att vrida på handtaget för klinghöjning (11) medurs såsom visas i bild E.
- ◆ Lossa låshandtaget (3a) och dra spaltkniven (3) in i den övre positionen såsom visas i bild F.
- ◆ Återför låshandtaget (3a) till den lästa positionen.

Varning! Om låshandtaget (3a) inte kan placeras i det nedre kvadratlåsta läget (bild F) kan det hända att spaltkniven inte är korrekt placerad.

Flytta spaltkniven och återställ låshandtaget i det nedre kvadrantläget.

Varning! Låshandtaget (3A) måste vara i den nedre kvadranten, under horisontell position - se bild F, för att vara helt låst. Kontrollera detta noggrant.

Klingskyddsmonter (bild G)

Varning! Spaltkniven måste vara låst i det övre läget innan skyddet monteras.

Skyddet får inte monteras när spaltkniven är placerad och låst i nedre läge.

- ◆ Klingskyddet (2) levereras med ett fjäderbelastad låsstift (2c) för att lokalisera och fästa skyddet vid spaltkniven (3). Skyddet måste monteras vid genomskärningar för att minska risken för skador.
- ◆ Høj upp sågklingan och spaltkniven genom att vrida på handtaget för klinghöjning (11) moturs såsom visas i bild E.
- ◆ Placera stängen på baksidan av skyddet (2b) nedåt och på baksidan av spaltknivens läge (3b).
- ◆ Tryck på låsstiftet (2c) och sänk ned skyddet för att rikta in med spaltknivens främre position (3c)
- ◆ Lossa låsstiftet och bekräfta att skyddet är säkert på spaltkniven.

- ◆ Operatören ska endast kunna ta bort skyddet från spaltkniven genom att trycka ner låspinnen (2c) och sedan lyfta skyddet uppåt.
- ◆ Dra försiktigt upp skyddet från spaltkniven för att säkerställa att den är helt monterad.

Dammhantering

- ◆ Din såg är försedd med en dammpåse (7) som ska fästas på dammporten på enhetens baksida (som visas på sidan 3) om inget vakuum används.
- ◆ Om du vill använda en dammsugare är både skyddsporten och den bakre porten lämpliga för 35 mm munstycken. Dammsugaren måste vara lämplig för det material som beröteras.
 - ◆ När du dammsugar torrt damm som är särskilt skadligt för hälsan eller är cancerframkallande, använd dammsugare av klass M.
 - ◆ Se till att dammsugningsslangen som används är lämplig för uppgiften och för materialet som sågas. Hantera slangen korrekt

Sågklinga montering/byte (fig. O)

Varning! Kontrollera alltid spaltknivens inriktning och skyddets funktion efter eventuellt underhåll.

Varning! Kontrollera alltid att spaltkniven är låst på plats och i linje med bladet före varje användning och efter underhåll. Skyddet måste monteras vid genomskärningar.

Varning! Se till att maskinen är fränkopplad från strömkällan. Använd skyddshandskar.

- ◆ Demontera sågklingskyddet (2).
- ◆ Ta bort bordsinsatsen (20).
- ◆ Lossa sågklingans mutter genom att placera skiftnyckeln (17) på muttern och i motsatt riktning med en annan skiftnyckel (17) på flänsen.

Varning! Vrid muttern i sågklingans rotationsriktning.

- ◆ Ta bort den yttre flänsen och ta bort sågklingan från den inre flänsen med en diagonal nedåtående rörelse.
- ◆ Rengör försiktigt flänsen innan den nya sågklingan sätts dit.
- ◆ Sätt in den nya sågklingan och fäst med den yttre flänsen.

Varning! Tänderna på sågklingan är mycket vassa och kan vara farliga. Se till att tänderna pekar nedåt på framsidan av bordet i linje med pilarna som är markerade på sågklingans skydd (2).

Varning! Kontrollera alltid spaltknivens inriktning och skyddets funktion efter eventuellt underhåll.

Varning! Kontrollera alltid att spaltkniven är låst på plats och i linje med bladet före varje användning och efter underhåll. Skyddet måste monteras vid genomskärningar.

Strömbrytare (8)

- ◆ För att slå på maskinen, lyft den svarta paddellocket och tryck på den gröna startknappen.

- ◆ För att stänga av maskinen tryck på den svarta paddeln.

Sågdjup

Vrid på handtaget för klinghöjning (11) för att ställa in klingan på önskat sågdjup.

- ◆ Vrid moturs för att öka sågdjupet.
- ◆ Vrid medurs för att minska sågdjupet.

Vid varje ny justering är det lämpligt att utföra en testsågning för att kontrollera de inställda måtten.

Notera: Hög sågklingan tills den är 3,2 mm högre än ovasidan av arbetsstycket.

Klyvningsanslagsmontaget (bild H och I)

- ◆ Fäst klyvningsanslaget (5) på baksidan och tryck låshandtaget (15) nedåt.
- ◆ Vid demontering, dra låshandtaget (15) uppåt och ta bort klyvningsanslaget (5).
- ◆ Klyvningsanslaget kan dra ås med den bakre räfflade muttern (5b).

Ställa in sågdjupet (bild J)

Klyvningsanslaget (5) används för långsgående sågning av material.

- ◆ Placera klyvningsanslaget (5) på styrskenan (18) till höger eller vänster om sågklingan.
- ◆ Skalan på styrskenan (18) kan användas för att visa gapet mellan anslagsskenan och sågklingan (4), endast när bordet inte är i förlängda positionen (bild L)
- ◆ Ställ in klyvningsanslaget (5) enligt önskad specifikation i nivåglas och fäst med låshandtaget för klyvningsanslaget (15).

Hjälpestopp (bild J1)

Vid sågning av smala arbetsstycken och fasningsvinklar måste hjälpestoppet (5c) monteras på klyvningsanslaget (5) såsom visas i bild J1.

Vid sågning av smala arbetsstycken kan de klämmas fast mellan klyvningsanslaget och sågklingan, fastna i sågklingans rotation och kastas från maskinen. Justera därför hjälpestoppet (5c) på så sätt att dess styrkant är placerad mellan fronten på sågklingan och frontänden på spaltkniven.

Använda geringsmätaren (bild K)

- ◆ Skjut geringsmätaren in i en öppning (1a) på sågbordet (1).
- ◆ Lossa låshandtaget (6a).
- ◆ Vrid geringsmätaren (6b) tills önskad vinkel är inställd.
- ◆ Skalan (6c) visar inställd vinkel.
- ◆ Dra åt låshandtaget (6a).

Förlängningsbord (bild L)

Förlängningsbordet (16) kan användas för särskilt breda arbetsstycken.

- ◆ Lossa låshandtaget (14) och dra ut bordsbreddens förlängning till önskad längd.

Inställning av klingvinkeln (bild M)

Ställ in önskad fasvinkel från 0 till 45 grader.

- ◆ Lossa låsratten till fasinställningen (10).
- ◆ Skjut in klingans lutningsratt (13) och vrid till önskad vinkel.
- ◆ Ställ in önskad vinkel och lås sedan ratten (10) igen.

Arbetsinstruktioner

Vid varje ny justering är det lämpligt att utföra ett test för att kontrollera de inställda måtten. Efter att sågen slagits på, vänta tills klingan når dess maximala rotationshastighet innan sågningen påbörjas.

Säkra långa arbetsstycken så att de inte faller ned vid slutet av sågningen (t.ex. med en rullställning etc.) Var extra försiktig när sågningen startar!

Göra långsgående sågningar

Långsgående sågning (också känt som slitsning) är när du använder sågen för att såga längs med fibrerna i trä. Tryck ena änden av arbetsstycket mot klyvningsanslaget (5) med den plana sidan mot sågbordet (1). Klingkyddet (2) måste alltid sänkas ned över arbetsstycket. När du gör långsgående sågningar välj aldrig en arbetsposition som är i linje med sågriktningen.

- ◆ Slå på sågen.
- ◆ Placera dina händer (med fingrarna slutna) plant på arbetsstycket och skjut arbetsstycket längs med och in i klingan (4).
- ◆ Styr på sidan med din vänstra eller högra hand (beroende på positionen) endast så lång som till främre kanten på sågklingans skydd (2).
- ◆ Skjut alltid arbetsstycket genom till slutet av spaltkniven (3) med en påskjutare (19) såsom visas i bild N.
- ◆ Den avsågade biten blir kvar på sågbordet (1).
- ◆ Säkra långa arbetsstycken så att de inte faller ned vid slutet av sågningen med en rullställning.

Varning! Använd alltid en påskjutare (19) vid klyvning av små arbetsstycken.

Försök inte att såga mycket små bitar.

Kapning

- ◆ Lås geringsmätaren (6) på 0 grader.
- ◆ Ställ in fasvinkel till 0 grader.
- ◆ Ställ in sågklingans (4) höjd.
- ◆ Håll arbetsstycket plant på bordet (1) och mot anslaget. Håll arbetsstycket undan från klingan.
- ◆ Håll båda händerna borta från sågklingans väg.
- ◆ Slå på maskinen och låt sågklingan nå full hastighet.
- ◆ Håll arbetsstycket tätt mot anslaget och flytta arbetsstycket sakta tillsammans med anslagsmontaget tills arbetsstycket kommer under det över klingkyddet.

- ◆ Låt tänderna utföra sågningen och tvinga inte arbetsstycket genom förbi sågklingan. Klinghastigheten bör förbli konstant.

Efter att kapningen är klar, stäng av maskinen och låt sågklingan stanna och ta sedan bort arbetsstycket.

Varning! Skjut aldrig eller håll i den "fria" eller avkapade sidan av arbetsstycket.

Hantering av klingkärnvning

- ◆ Se till att maskinen är fränkopplad från strömkällan.
- ◆ Ta bort arbetsstycket. Var försiktig så att inte händerna vidrör sågklingan.
- ◆ Tryck på överbelastningsskyddet (21) och anslut kontakten igen, maskinen kan återuppta arbetet.

Efter användning

- ◆ Efter användning, torka av flis och damm som klibbar fast vid verktyget med en trasa eller liknande.
- ◆ Smörj gliddelarna med maskinolja för att förhindra rost.

Skydda miljön



Separat insamling. Produkter och batterier som är markerade med denna symbol får inte kastas i de vanliga hushållsoporna.

Produkter och batterier innehåller material som kan återanvändas eller återvinnas för att minska behovet av råmaterial. Återvinn elektriska produkter och batterier enligt lokala föreskrifter. Närmare information finns tillgänglig på www.2helpU.com

Tekniska data

		BES720 Typ 1
Spänning	V	230
Frekvens	Hz	50
Ineffekt	W	1800
Obelastat varvtal	/min	5200
Klingdiameter	mm	254
Tjocklek klingstomme	mm	2.0
Tillåtet område för sågsparbredd	mm	2.8
Hälstorlek	mm	30
Tjocklek spaltkniv	mm	2.5
Max. sågdjup vid 45°	mm	58
Max. sågdjup vid 90°	mm	80
Klingfasområde		0 - 45°
vikt	kg	27.56

Ljudtrycksnivå enligt EN 62841:

L_{pA} (ljudtryck) 95 dB(A), osäkerhet (K) 3 dB(A)

Ljudtrycksnivå enligt EN 62841:

 L_{wa} (ljudeffekt) 108 dB(A), osäkerhet (K) 3 dB(A)

EG-försäkran om överensstämmelse

MASKINDIREKTIVET



BES720 bordsåg

Black & Decker försäkrar att dessa produkter, beskrivna under "tekniska data" uppfyller:

EN62841-1:2015, EN62841-3-9:2015+A11:2017,

Dessa produkter överensstämmer även med direktiven 2006/42/EU, 2014/30/EG och 2011/65/EU.

Kontakta Black & Decker för ytterligare information på följande adress, eller se handbokens baksida.

Undertecknad är ansvarig för sammanställningen av tekniska data och gör denna försäkran för Black & Decker.

Patrick Diepenbach
General Manager, Benelux
Black and Decker,
Egide Walschaertsstraat 14-18
2800 Mechele, Belgien
21/05/2021

Garanti

Black & Decker är säkra på kvaliteten hos denna produkt och erbjuder kunder 24 månaders garanti från inköpsdatumet. Denna garanti är ett tillägg till dina lagstadgade rättigheter och påverkar inte dessa på något sätt. Garantin är giltig i de områden som tillhör medlemsstaterna i Europeiska unionen och det europeiska frihandelsområdet.

För yrkande under garantin måste yrkandet vara i enlighet med Black & Deckers villkor och du kommer att behöva skicka in bevis på köpet till försäljaren eller en auktoriserad reparatör. Villkoren för Black & Deckers tvååriga garanti och var du hittar din närmaste auktoriserade reparatör kan erhållas på internet på www.2helpU.com, eller genom att kontakta ditt lokala Black & Decker-kontor på adressen som anges i denna bruksanvisning.

Besök vår webbplats www.blackanddecker.eu för att registrera din nya Black & Decker-produkt samt för att få information om nya produkter och specialerbjudanden.

Tiltent bruk

Denne BLACK+DECKER BES720 bordsag er designet for saging og tverruttning av alle typer trekonstruksjoner som passer for maskinens størrelse. Dette verktøyet er bare ment som et forbrukerverktøy.

Sikkerhetsinstruksjoner

Generelle sikkerhetsadvarsler for elektroverktøy



Advarsel! Les alle sikkerhetsanvisninger, instruksjoner, illustrasjoner og spesifikasjoner som følger dette elektriske verktøyet. Hvis advarslene og anvisningene nedenfor ikke overholdes, kan det medføre elektrisk støt, brann og/eller alvorlige personskader.

Ta vare på alle advarsler og instruksjoner for fremtidig bruk. Uttrykket "elektroverktøy" i alle advarslene nedenfor gjelder for strømdrevne elektroverktøy (med ledning) og batteridrevne elektroverktøy (uten ledning).

1. Sikkerhet i arbeidsområdet

- Hold arbeidsområdet rent og godt opplyst.** Rotete eller mørke områder er en invitasjon til ulykker.
- Ikke arbeid med elektroverktøy i eksplosjonsfarlige omgivelser, for eksempel der det befinner seg brennbare væsker, gass eller støv.** Elektrisk verktøy skaper gnister som kan antenne støv eller gasser.
- Hold barn og andre personer unna når du bruker et elektroverktøy.** Distraksjoner kan føre til at du mister kontrollen.

2. Elektrisk sikkerhet

- Støpselet til verktøyet må passe til stikkkontakten. Aldri modifier støpselet på noen måte. Ikke bruk adapterstøpsler til jordede elektriske verktøy.** Umofiserte støpsler og stikkontakter som passer vil redusere risikoen for elektrisk sjokk.
- Unngå kroppskontakt med jordede overflater som rør, radiatorer, komfyrer og kjøleskap.** Det er økt risiko for elektrisk støt dersom kroppen din er jordet.
- Ikke utsett elektroverktøy for regn eller fuktighet.** Dersom det kommer vann inn i et elektrisk verktøy vil det øke risikoen for elektrisk sjokk.
- Unngå uforsvarlig behandling av ledningen. Aldri bruk ledningen til å bære, trekke eller dra ut støpselet til det elektriske verktøyet. Hold ledningen borte fra varme, olje, skarpe kanter eller bevegelige deler.** Skadede eller innviklede ledninger øker risikoen for elektrisk sjokk.
- Når du bruker et elektroverktøy utendørs, må du bruke en skjøteledning som er egnet til utendørs bruk.** Bruk av en skjøteledning beregnet for utendørs bruk reduserer risikoen for elektrisk støt.

- f. Hvis du ikke kan unngå å bruke elektroverktøy på et fuktig sted, må du bruke en strømforsyning som er beskyttet med jordfeilbryter (RCD). Bruk av jordfeilbryter (RCD) reduserer risikoen for elektrisk støt.
3. **Personlig sikkerhet**
- a. Vær oppmerksom, pass på hva du gjør, og vis sunn fornuft når du arbeider med et elektroverktøy. Ikke bruk et elektrisk verktøy dersom du er trøtt eller er påvirket av medikamenter, narkotika eller alkohol. Ett øyeblikks uoppmerksomhet under bruk av elektriske verktøy kan føre til alvorlig personskade.
- b. Bruk personlig verneutstyr. Bruk alltid vernerbriller. Verneutstyr slik som støvmaske, sklisiske vernesko, hjelm eller hørselsvern brukt under passende forhold vil redusere personskader.
- c. Forhindre utilsiktet start. Kontroller at bryteren står i posisjon «av» før du kobler til strømkilden og/eller batteripakken, og før du tar opp eller bærer verktøyet. Å bære elektriske verktøy med fingeren på bryteren eller å sette inn støpselet mens elektriske verktøy har bryteren på øker faren for ulykker.
- d. Fjern eventuelt innstillingsverktøy eller skruverktøy før du slår på elektroverktøyet. Et skruverktøy eller en nøkkel som fortsatt er festet til en roterende del av elektroverktøyet, kan føre til personskade.
- e. Ikke strekk deg for langt. Ha godt fofeste og stå støtt hele tiden. Dette fører til at du har bedre kontroll over det elektriske verktøyet ved uventede situasjoner.
- f. Bruk egnede klær. Ikke ha på deg løstsittende klær eller smykker. Hold hår og klær borte fra bevegelige deler. Løstsittende klær, smykker og langt hår kan bli fanget opp av bevegelige deler.
- g. Hvis det kan monteres støvavsug- og oppsamlingsinnretninger, må du forvisse deg om at disse er tilkoblet og brukes på riktig måte. Bruk av støvoppsamlere kan redusere støvrelaterte farer.
- h. Ikke la erfaring med hyppig bruk av verktøy la deg bli likegyldig og ignorere verktøyet sikkerhetsregler. En uforsiktig handling kan føre til alvorlig personskade på brokdelen av et sekund.
4. Bruk og stell av elektriske verktøy
- a. Ikke bruk makt på elektroverktøyet. Bruk det elektriske verktøyet som situasjonen krever. Det riktige elektriske verktøyet vil gjøre jobben bedre og tryggere ved den hastigheten det ble konstruert for.
- b. Ikke bruk elektroverktøyet hvis du ikke kan slå det på og av med bryteren. Ethvert elektrisk verktøy som ikke kan kontrolleres med bryteren er farlig og må repareres.
- c. Trekk støpselet ut av stikkkontakten og/eller koble fra batteripakken på elektroverktøyet før du utfører innstillinger, bytter tilbehør eller legger elektroverktøyet bort for lagring. Slike preventive sikkerhetsforanstaltninger reduserer risikoen for å starte det elektriske verktøyet ved et uhell.
- d. Elektroverktøy som ikke er i bruk, må oppbevares utilgjengelig for barn. Ikke la verktøyet bli brukt av personer som ikke er fortlørlige med det, eller som ikke kjenner disse instruksjonene. Elektriske verktøy er farlige i hendene på utrenede brukere.
- e. Sørg for vedlikehold av elektroverktøy og tilbehør. Undersøk om bevegelige deler er feiljustert eller blokkert, om deler er skadet, og om det er andre forhold som kan påvirke elektroverktøets funksjon. Dersom det er skadet, få verktøyet reparert før neste bruk. Mange ulykker forårsakes av dårlig vedlikeholdte verktøy.
- f. Hold skjæreverktøy skarpe og rene. Godt vedlikeholdte skjæreverktøy med skarpe skjærekanter setter seg mindre sannsynlig fast og er lettere å kontrollere.
- g. Bruk elektroverktøy, tilbehør, bor osv. i henhold til disse instruksjonene. Ta hensyn til arbeidsforholdene og arbeidet som skal utføres. Bruk av det elektriske verktøyet for oppgaver som er forskjellige fra de som er tiltenkt kan føre til en farlig situasjon.
- h. Hold håndtakene og gripeflatene tørre, rene og frie for olje og fett. Glatte håndtak og gripeflater forhindrer trygg håndtering og kontroll av verktøyet i uventede situasjoner.
5. Service
- a. Elektroverktøyet skal repareres av kvalifisert personell og bare med originale reservedeler. Dette vil sikre at verktøyet sikkerhet blir ivarettatt.

Sikkerhetsinstrukser for bordsager

1. Advarsler om beskyttelser

- a. Hold beskyttelsene på plass. Beskyttelsene skal være fungerende og ordentlig montert. En løs, skadet eller ikke fungerende beskyttelse skal repareres eller skiftes ut.
- b. Bruk alltid bladbeskyttelse og spaltekniv for all gjennomgående saging. For gjennomgående saging der sagbladet går helt gjennom tykkelsen av arbeidsstykket, vil beskyttelsen og andre beskyttelsesenheter bidra til å redusere risikoen for personskader.
- c. Fest straks på igjen beskyttelsesystemet etter ferdig bruk (som saging av spor, tverrspor eller omsaging) som krever fjerner fjerning av beskyttelsen og spaltekniiven. Beskyttelsen og spaltekniiven reduserer risikoen for personskader.
- d. Forsikre deg om at sagbladet ikke er i kontakt med beskyttelse, spaltekniiven eller arbeidsstykket før du slår på.

Utilsiktet kontakt med sagbladet kan føre til en farlig situasjon.

- e. **Juster spaltekniven som beskrevet i denne bruksanvisningen.** Uriktig mellomrom, posisjonering og innretning kan gjøre spaltekniven ineffektiv i å forhindre tilbakeslag.
- f. **For at spaltekniven skal fungere, må den gå inn i arbeidsstykket.** Spaltekniven er ikke effektiv ved saging av arbeidsstykker som er for korte til at spaltekniven kan gå inn. I så fall kan ikke spaltekniven forhindre tilbakeslag.
- g. **Bruk riktig sagblad for spaltekniven.** For at spaltekniven skal fungere, må sagbladets diameter passe til spaltekniven, godset i sagbladet være tynnere og skjærebredden på bladet tykkere enn spaltekniven.

2. Advarsler for saging

- a. **FARE: Plasser aldri fingre eller hender i nærheten av eller på linje med sagbladet.** Et øyeblikks uoppmerksomhet kan føre hånden din mot sagbladet og føre til alvorlig personskade.
- b. **Før arbeidsstykket inn mot sagbladet kun mot rotasjonsretningen.** Ved å føre arbeidsstykket i samme retning som sagbladet roterer over bordet, kan føre til at arbeidsstykket og hånden din trekkes inn mot sagbladet.
- c. **Bruk aldri gjæringsindikatoren for å mate arbeidsstykket ved kløyving, og bruk aldri kløvebakken som lengdestopp ved tverssaging med gjæringsindikatoren.** Å føre arbeidsstykket med parallellanlegget og gjæringsindikatoren samtidig vil øke faren for fastkjøring og tilbakeslag på sagbladet.
- d. **Ved kløyving, legg alltid føringskraften på arbeidsstykket mellom føringen og sagbladet. Bruk en skyvepinne dersom avstanden mellom sagbladet og føringen er mindre enn 150 mm og en skyveblokk dersom avstanden er mindre enn 50 mm.** Slik "arbeidshjelp" vil holde hånden din på trygg avstand fra sagbladet.
- e. **Bruk bare skyvepinne levert fra produsenten eller produsert i samsvar med instruksene.** Denne skyvepinne gir tilstrekkelig avstand mellom hånden og sagbladet.
- f. **Bruk aldri en skadet eller kuttet skyvepinne.** En skadet skyvepinne kan brette og føre til at hånden din glipper inn i sagbladet.
- g. **Ikke foreta saging på frihånd. Bru bare kløvebakken for å posisjonere og styre arbeidsstykket.** "Frihånd" betyr at du bruker hendene for å støtte eller styre arbeidsstykket og ikke kløvebakken eller gjæringsindikatoren. Frihåndssaging fører til skjevheter, fastkjøring og tilbakeslag.
- h. **Grip aldri rundt eller over et roterende sagblad.** Å gripe etter et arbeidsstykke kan føre til utilsiktet kontakt med det roterende sagbladet.

- i. **Pass på ekstra støtte av arbeidsstykket bak og/eller på sidene for å holde lange/brede arbeidsstykker i plan.** Lange og/eller brede arbeidsstykker har en tendens til å vippe på bordkanten, som fører til at du mister kontrollen, fastkjøring av sagbladet og tilbakeslag.
- j. **Før arbeidsstykket med jevn hastighet. Ikke bøy eller vri arbeidsstykket. Ved fastkjøring, slå straks av verktøyet, trekk ut støpselet og løsne fastkjøringen.** Fastkjøring av sagbladet i arbeidsstykket kan føre til tilbakeslag eller at motoren kjøres fast (stopper).
- k. **Ikke fjern avkapp mens saken er i gang.** Materialet kan komme i lås mellom føringen eller i sagbladets beskyttelse og sagbladet kan trekke fingrene dine inn i sagbladet. Slå av saken og vent til sagbladet har stoppet før du fjerner materialet.
- l. **Bruk en ekstra føring i kontakt med bordplaten ved kløyving av arbeidsstykker som har tykkelse under 2 mm.** Tynne arbeidsstykker kan kile seg under kløvebakken og føre til tilbakeslag.

3. Årsaker til tilbakeslag og relaterte advarsler

Tilbakeslag er den plutselige reaksjonen på arbeidsstykket ved et inneklemt, fastkjørt sagblad eller feil innrettet sagelinje i arbeidsstykket i forhold til sagbladet når en del av arbeidsstykket festes mellom sagbladet og kløvebakken eller andre faste deler.

Som regel ved tilbakeslag vil arbeidsstykket løftes fra sagbladet av bakre del av sagbladet og kastes mot brukeren. Tilbakeslag er resultatet av feil bruk av saken og/eller feil driftsprosedyrer eller betingelser, og kan unngås ved å treffe skikkelige forholdsregler, som angitt nedenfor.

- a. **Stå aldri på linje med sagbladet. Plasser alltid kroppen på samme side av saken som føringen.** Tilbakeslag kan kaste arbeidsstykket med høy hastighet mot personer som står foran eller på linje med sagbladet.
- b. **Grip aldri over eller bak sagbladet for å trekke i eller støtte arbeidsstykket.** Utilsiktet kontakt med sagbladet kan skje, eller et tilbakeslag kan trekke fingrene dine inn i sagbladet.
- c. **Hold eller trykk aldri arbeidsstykket som sages mot det roterende sagbladet.** Ved å trykke arbeidsstykket mot sagbladet vil det føre til fastkjøring eller tilbakeslag.
- d. **Ret inn føringen parallelt med sagbladet.** Fei innrettet føring vil knipe arbeidsstykket mot sagbladet og føre til tilbakeslag.
- e. **Vær ekstra forsiktig ved saging i blinde områder eller sammensatte arbeidsstykker.** Det utstikkende bladet kan kutte objekter som kan forårsake tilbakeslag.
- d. **Støtt opp store paneler for å redusere risikoen for tilbakeslag og at bladet setter seg fast.** Store arbeidsstykker har en tendens til å henge ned under sin egen vekt. Støtte skal plasseres under hele området av panel som stikker ut over bordet.

- g. **Vær ekstra forsiktig ved saging arbeidsstykker som er vridd, har kvister eller som ikke har en rett kant som kan ligge an mot gjæringsindikatoren eller føringen.** Et arbeidsstykke som er vridd, har kvister eller er ustabil og gir feilstyring av snittet, fastkjøring og tilbakeslag.
- h. **Sag aldri mer enn ett arbeidsstykke, hverken vertikalt eller horisontalt stablet.** Sagbladet kan kjøre seg fast i ett eller flere deler og føre til tilbakeslag.
- i. **Når du starter en sag på nytt i arbeidsstykket, plasser sagbladet sentrert i snittet og sjekk at sagtennene ikke sitter i materialet.** Hvis sagbladet kjører seg fast, kan det klatre eller slå tilbake fra arbeidsstykket når sagan startes igjen.
- i. **Hold sagbladene rene, skarpe og korrekt slipt. Bruk aldri bøyde sagblad eller sagblad med sprukne eller knekte tenner.** Skarpe og korrekt satte sagblad minimaliserer fastkjøring, klating og tilbakeslag.

4. Advarsler for bruk av bordsager

- a. **Slå av bordsagen og koble fra strømkabelen ved fjerning av bordinlegget, skifte av sagblad eller justering av spaltekniven eller sagbladbeskyttelsen og dersom maskinen skal være uten tilsyn.** Forebyggende tiltak forhindrer ulykker.
- b. **La aldri bordsagen være uten tilsyn. Slå av og ikke forlat verktøyet før det er stoppet helt.** En sag som er i gang uten tilsyn er en ukontrollert risiko.
- c. **Plasser bordsagen på et godt opplys og flatt område der du har godt fotfeste og god balanse. Den bør installeres i et område med tilstrekkelig plass for enkel håndtering av arbeidsstykker i dine ønskede størrelser.** Trange, mørke områder og ujevne, glatte gulv er å be om ulykker.
- d. **Rengjør og fjern sagflis fra under sagbordet og/eller støvsugerutstyret.** Oppsamling av sagflis er brennbart og kan selvantennes.
- e. **Bordsagen må være godt festet.** En bordsag som ikke er godt feste kan bevege seg eller velte.
- f. **Fjern verktøy, avkapp og lignende fra bordet før bordsagen slås på.** Distratering eller potensiell fastkjøring kan være farlig.
- g. **Bruk alltid blad med korrekt størrelse og form (diamant kontra rund) på festehullet.** Blad som ikke passer til festemekanismen på sagan vil gå eksentrisk som fører til at du mister kontrollen.
- h. **Bruk aldri skadede eller feil sagbladfester som flenser, sagbladskiver, bolter eller muttere.** Slikt monteringsutstyr er spesielt designet for sagan, for trygg bruk og optimal ytelse.
- i. **Aldri stå på bordsagen eller bruke den for oppstigning.** Det kan gi alvorlig personskade dersom verktøyet velter eller du utilsiktet i kontakt med kutteverktøyet.
- j. **Sørg for at sagbladet er montert slik at det roterer i riktig retning. Ikke bruk slipeskiver, stålbørster eller kappeskiver på bordsagen.** Feil installasjon av sagbladet eller bruk av tilbehør som ikke er anbefalt kan føre til alvorlige personskader.



Advarsel! Kontakt med eller innånding av støv som oppstår ved saging, kan være helseskadelig for brukeren og eventuelle personer i nærheten. Bruk en støvmaske som er spesielt utformet for å beskytte mot støv og damp/gass, og pass på at personer som er i eller kommer inn i arbeidsområdet, også er beskyttet.

- ◆ Ikke arbeid med materialer som inneholder asbest. Asbest regnes som kreftfremkallende.
- ◆ Bruk hansker når du håndterer sagblader og grovt materiale (sagblader skal bæres i en holder når det er praktisk mulig).
- ◆ Bruk hørselvern for å redusere risikoen for hørselskade.
- ◆ Vurder å bruke spesielt konstruerte støvreduksjonsblader.
- ◆ Bruk vernebriller for å redusere risikoen for alvorlig personskade.
- ◆ Bruk støvposen som følger med, når du sager tre.
- ◆ Velg et blad tilpasset materialet som skal skjæres.
- ◆ Ikke bruk maskinen uten at vernet er på plass. Bruk aldri maskinen hvis ikke vernet fungerer eller er i god stand.
- ◆ Før hver kapping skal du passe på at maskinen står støtt.
- ◆ Hold håndtakene rene, ore og frie for olje og fett.
- ◆ Hold området rundt maskinen i god orden og fritt for løst materiale, for eksempel spon og kapp.
- ◆ Kontroller at maskinen og arbeidsområdet får nok lys fra rombelysning eller plassbelysning.
- ◆ Ikke la personer uten opplæring bruke denne maskinen.
- ◆ Kontroller at bladet er montert riktig før bruk. Sørg for at bladet roterer i riktig retning. Hold bladet skarpt. Følg anvisningen for smøring og utskifting av tilbehør.
- ◆ Bruk kun sagblad der hastigheten markert på bladet er tilsvarende eller mer enn hastigheten markert på sagan.
- ◆ Koble strømmen fra verktøyet før vedlikeholdsarbeid og når du skifter blad.

- ◆ Utfør aldri rengjøring, vedlikehold eller fjerning av avkapp eller andre deler av arbeidsstykket fra skjærområdet når maskinen går og saghodet ikke er i hvilestilling.
- ◆ Kontroller at alle låseknitter og håndtak er strammet godt til før du starter en operasjon.
- ◆ Forsøk aldri å stoppe maskinens bevegelse raskt ved å presse et verktøy eller noe annet mot bladet. Det kan skje alvorlige ulykker uforvarende på denne måten.
- ◆ Les håndboken før du bruker eller monterer tilbehør. Feil bruk av tilleggsutstyr kan forårsake skade.
- ◆ Gjør aldri advarselmerkingen på elektroverktøyet uleselig.
- ◆ Stå aldri på elektroverktøyet. Det kan oppstå alvorlig personskade hvis elektroverktøyet vipper, eller hvis du kommer i kontakt med sagbladet.
- ◆ Ikke ta i sagbladet etter arbeidet før det er blitt avkjølt. Sagbladet blir svært varmt under arbeidet.
- ◆ Unngå personskade forårsaket av materialer som kastes. Koble saken fra nettstrømmen for å unngå utilsikket start, og fjern deretter små materialbiter.
- ◆ Sørg for at spaltekniven er justert til riktig avstand fra bladet.

Advarsel! Sjekk alltid at spaltekniven er låst på plass og rettet inn med bladet for hver bruk og etter vedlikehold.

- ◆ Før bruk og etter vedlikehold må du kontrollere bladvernet for å sikre at det fungerer riktig. Denne kontrollen må utføres mens saken er slått av og støpset trukket ut av stikkkontakten. Hvis vernet ikke fungerer riktig, må elektroverktøyet repareres av et godkjent serviceverksted. Ring BLACK+DECKER kundeservice for å få oppgitt nærmeste serviceverksted.
- ◆ **Denne bordsagen er kun beregnet for å sage tre, plast og metaller som ikke inneholder jern.** Ikke bruk saken for å sage andre materialer enn de som er anbefalt av leverandøren.
- ◆ Ikke ta i sagbladet etter arbeidet før det er blitt avkjølt. Sagbladet blir svært varmt under arbeidet.



Advarsel! Saging av plast, tremateriale med sevjé eller andre materialer kan førte til at smeltet materiale samler seg opp på bladet og bladspissene, dette øker risikoen for at bladet blir overopphetet og bøyer seg under bruk.

Restrisikoer

Følgende risikoer er alltid tilstede ved bruk av sager: Selv om de relevante sikkerhetsbestemmelsene blir fulgt, og sikkerhetstiltakene blir gjennomført, kan visse gjenværende risikoer ikke unngås. Disse inkluderer:

- ◆ Personskader som forårsakes av berøring av en roterende/bevegelig del.
- ◆ Hørselskader.
- ◆ Risiko for ulykker forårsaket av delene av sagbladet som ikke er tildekket.

- ◆ Risiko for personskader som forårsakes av at en del, et blad eller tilbehør endres.
- ◆ Risiko for klemte fingre ved åpning av beskyttelsene.
- ◆ Helsefarer som skyldes innånding av støv som oppstår ved saging av tre – spesielt eik, bøk og MDF.
- ◆ Personskader som forårsakes av langvarig bruk av apparatet. Når du bruker et verktøy i lange perioder, må du sørge for å ta regelmessige pauser.

Støy

Den oppgitte støyemisjonsverdien er blitt målt i henhold til en standard testmetode, og kan brukes til å sammenligne et verktøy med et annet.

Den oppgitte støyverdien kan også brukes til en foreløpig vurdering av eksponering.

Advarsel! Støyemisjonsverdien under faktisk bruk av elektroverktøyet kan avvike fra de oppgitte verdiene avhengig av måten verktøyet blir brukt på, og spesielt hva slags materiale det brukes på.

Advarsel! Bruk alltid riktig hørselvern. Under viss forhold og bruksvarighet kan støv fra dette produktet bidra til å miste hørselen. Vær oppmerksom på følgende faktorer som påvirker belastningen fra støv:

- ◆ Bruk sagblader som er designet for å redusere støyutvikling.
- ◆ Bruk kun godt skjerpede sagblader.
- ◆ Bruk spesielt designede støyreduerte sagblad.

Etiketter på verktøyet

De følgende symbolene sammen med datokode vises på apparatet:



Advarsel! Brukeren må lese håndboken for å redusere risikoen for personskade.



Bruk vernebriller



Bruk hørselvern



Bruk en støvmaske



Produktet skal ikke benyttes av barn under 16 år



Hold hendene unna bladet



Benytt hansker når du håndterer sagblader



Ikke utsett maskinen for regn eller høy fuktighet.



Ta ut støpselet dersom strømkabelen er skadet eller floket.



Forsiktig! Les bruksanvisningen for korrekt justerings- og låseprosedyre for beskyttelsen og spaltekniven.

Elektrisk sikkerhet



Dette verktøyet er dobbeltisolert. Jording er derfor ikke nødvendig. Kontroller alltid at strømforsyningen samsvarer med spenningen på merkeskiltet.

- ◆ Hvis strømforsyningen blir skadet, må den skiftes av produsenten eller et autorisert Stanley FatMax-servicесenter så man unngår fare.

Spenningsfall

Høyt strømforbruk i korte perioder kan føre til kortvarige spenningsfall. Under uheldige forhold når det gjelder strømtilførsel, kan annet utstyr bli berørt. Hvis systemimpedansen for strømforsyningen er mindre enn 0,361 Ω, er det lite sannsynlig at det oppstår forstyrrelser.

Bruke skjøteledning

Bruk alltid en godkjent skjøteledning som passer til inngangseffekten for dette verktøyet (se tekniske data). Før bruk må du undersøke skjøteledningen for tegn på skade, slitasje og aldring. Bytt skjøteledningen hvis den er skadet eller defekt. Vikle alltid ut kabelen fullstendig når du bruker en kabeltrommel. Hvis du bruker skjøteledning som ikke passer til verktøyets inngangseffekt, eller som er skadet eller defekt, kan det føre til risiko for brann og elektrisk støt.

Funksjoner

Dette verktøyet har noen av eller alle følgende egenskaper.

1. Sagbord
2. Bladbeskyttelse
- 2a. Oppbevaring av bladbeskyttelse
3. Spaltekniv
4. Sagblad
- 4a. Oppbevaring av sagblad
5. Parallellanlegg
- 5a. Oppbevaring av parallellføring
6. Gjæringsindikator
- 6a. Oppbevaring av gjæringsindikator
7. Støppose

8. På-/av-bryter
9. Understell
10. Vinkeljustering låseknapp
11. Håndtak bladløfting
12. Låseknapp understell
13. Vippehjul blad
14. Låsehåndtak for bordforlengelse
15. Låsehåndtak for kløvebakke
16. Bordforlengelse
17. Nøkkel X2
18. Styreskinne
19. Skyvepinne
20. Bordinnlegg
21. Overbelastningsbeskyttelse
22. Understell nivåjustering
23. Strømkabel
24. Strømkabel oppvikling

Montering

- ◆ Åpne boksen og løft ut sagen.
- ◆ Plasser sagen på en jevn, flat overflate slik som en arbeidsbenk eller et solid bord.
- ◆ Maskinen leveres med sagbladet (4) stillt til 45 grader. Tilbakestill til 0 grader i henhold til anvisningene om innstilling av bladvinkel, se under

Montere understellet (figur A, B & C)

Merk: Understellsbena er designet slik at de bare kan monteres på en måte. Forsikre deg om at bena alltid skrår utover som vist på forsiden og i monteringstegningen på side 2.

- ◆ Skru av og ta av alle fire festeknottene (12) for bena som vist i figur A.
- ◆ Sett bordsagen opp ned på et stabilt underlag og sett inn bena (9) som vist i figur B. Pass på korrekt retning.
- ◆ Sett på igjen festeknottene (12), pass på at de går igjennom hullene på bena (9) og trekk godt til som vist i figur B.
- ◆ Bordsagen leveres med en justering for understellet (22), den kan justeres for å kompensere for ujevne gulv som vist i figur C.

Oppsett av spaltekniv (figur D, E & F)

Advarsel! Spaltekniven (3) leveres i korrekt posisjon for gjennomgående saging. Men før første bruk og før maskinen kobles til strømmen, sjekk at spaltekniven er festet, på linje med bladet og i korrekt avstand fra bladet - se fig. F. Bruk bare maskinen dersom spaltekniven (3) er i øvre posisjon såfremt ikke sagen brukes for sporsaging. **BESKYTTELSEN SKAL TAS AV VED SPORSAGING.**

LØFT STRAKS SPALTEKNIVEN OG SETT PÅ IGJEN BESKYTTELSEN ETTER AVSLUTTET BRUK SOM KREVDE AT BESKYTTELSEN BLE TATT AV ELLER SPALTEKNIVEN BLE SENKET. Sett spaltekniven (3) i øvre posisjon som følger:

- ◆ Ta av festeskruen (20a) på bordinnlegget (20) og løft bordinnlegget klar av sagen som vist i figur D.
- ◆ Løft sagbladet og spalteknivmodulen ved å løfte bladløftehåndtaket (11) med klokken som vist i figur E.
- ◆ Løsne låsehåndtaket (3a) og trekk spaltekniven (3) til øvre posisjon som vist i figur F.
- ◆ Sett låsehåndtaket (3a) tilbake til låst stilling.

Advarsel! Dersom låsehåndtaket (3a) ikke kan settes i nedre kvadrant låst stilling (fig. F), kan spaltekniven kanskje ikke stilles riktig.

Flytt spaltekniven og tilbakestill låsehåndtaket i posisjon nedre kvadrant.

Advarsel! Låsehåndtaket (3A) skal være i nedre kvadrant, under horisontal posisjon - se fig. F - for å være helt låst. Sjekk dette nøye.

Montering bladbeskyttelse (figur G)

Advarsel! Spaltekniven skal låses i øvre posisjon før feste av beskyttelsen.

Beskyttelsen skal ikke være montert når spaltekniven er satt og låst i nedre posisjon.

- ◆ Bladbeskyttelsen (2) leveres med en fjærbelastet låsepinne (2c) for å plassere og låse beskyttelsen til spaltekniven (3). Beskyttelsen skal være montert ved gjennomgående saging for å redusere faren for personskader.
- ◆ Løft sagbladet og spalteknivmodulen ved å løfte bladløftehåndtaket (11) mot klokken som vist i figur E.
- ◆ Plasser stangen bak i beskyttelsen (2b) nedover bak posisjonen til spaltekniven (3b).
- ◆ Trykk låsepinnen (2c) og senk beskyttelsen for å rette inn med spalteknivens frontposisjon (3c)
- ◆ Løsne låsepinnen og bekreft at beskyttelsen sitter festet på spaltekniven.
- ◆ Brukeren skal bare kunne ta av beskyttelsen fra spaltekniven ved å trykke ned låsepinnen (2c) og deretter løfte beskyttelsen oppover.
- ◆ Trekk beskyttelsen forsiktig opp fra spaltekniven for å sikre at den sitter godt.

Støvhåndtering

- ◆ Sagen er utstyrt med en støvpose (7) som kan festes på støvporten bak på enheten (som vist på side 3) dersom det ikke brukes støvsuger.
- ◆ Dersom du ønsker å bruke støvsuger er både beskyttelsesporten og bakre port passende for 35 mm dyser. Støvsugeren skal passe for materialet som bearbeides.

- ◆ Ved støvsuging av tørt støv som er spesielt helsefarlig eller kreftfremkallende, bruk en støvsuger av klasse M.
- ◆ Se til at slangen for støvavsuging som brukes er egnet for bruksområdet og materialet som skal kappes. Se til at slangen håndteres riktig

Montering/skifte av sagblad (fig. O)

Advarsel! Sjekk alltid at spaltekniven er innrettet og at beskyttelsen fungerer etter vedlikehold.

Advarsel! Sjekk alltid at spaltekniven er låst på plass og rettet inn med bladet for hver bruk og etter vedlikehold.

Beskyttelsen skal være montert ved gjennomgående saging.

Advarsel! Pass på at maskinen er frakoblet strømmen. Bruk vernehansker.

- ◆ Demonter sagblad-beskyttelsen (2).
- ◆ Fjern bordinnlegget (20).
- ◆ Løsne sagbladmutteren ved å sette nøkkelen (17) på mutteren og bruk en annen nøkkel (17) på flensen.

Advarsel! Vri mutteren i sagbladets rotasjonsretning.

- ◆ Ta av ytre flens og ta sagbladet ut av indre flens, med en diagonal bevegelse nedover.
- ◆ Rengjør flensen nøye før du setter på nytt sagblad.
- ◆ Sett inn nytt sagblad og fest ytre flens.

Advarsel! Tennene på et nytt blad er meget skarpe og kan være farlige. Pass på at bladene peker nedover foran på bordet, rettet inn med pilen på sagbladbeskyttelsen (2).

Advarsel! Sjekk alltid at spaltekniven er innrettet og at beskyttelsen fungerer etter vedlikehold.

Advarsel! Sjekk alltid at spaltekniven er låst på plass og rettet inn med bladet for hver bruk og etter vedlikehold. Beskyttelsen skal være montert ved gjennomgående saging.

Av/på-bryter (8)

- ◆ For å slå på maskinen, løft bakre deksel og trykk på den grønne startknappen.
- ◆ For å slå maskinen av, trykk på den svarte knappen.

Kuttedybde

Vri bladets løftehåndtak (11) for å sette badet til ønsket kuttedybde.

- ◆ Vri mot klokka for å få større kuttedybde.
- ◆ Vri med klokka for å få mindre kuttedybde.

Etter hver justering, anbefales det å foreta en testsaging for å sjekke innstilte dimensjoner.

Merk: Løft bladet til det er ca 3,2 mm høyere enn toppen av arbeidsstykket.

Montering av kløvebakke (figur H & I)

- ◆ Fest kløvebakken (5) på baksiden og trykk låsehåndtaket (15) ned.
- ◆ Ved demontering, trekk låsehåndtaket (15) opp og ta av kløvebakken (5).
- ◆ Kløvebakken kan strammes med bakre fingermutter (5b).

Stille inn skjærebredde (figur J)

Kløvebakken (5) brukes for splitting av materiale med vedretningen.

- ◆ Sett kløvebakken (5) på styreskinnen (18) på høyre eller venstre side av sagbladet.
- ◆ Skalaen på styreskinnen (18) kan brukes for å vise mellomrommet mellom styreskinnen og sagbladet (4), kun når bordet ikke er i forlenget posisjon (figur L)
- ◆ Sett kløvebakken (5) til nødvendig spesifikkasjon og lås den med låsehåndtaket for kløvebakken (15).

Ekstrastopp (figur J1)

Ved saging av smale arbeidsstykker og vinkler, må ekstrastoppen (5c) monteres på kløvebakken (5) som vist i figur J1.

Ved saging av smale arbeidsstykker kan de kjøre seg fast mellom kløvebakken og sagbladet, låses av rotasjonen på sagbladet og kastes ut av maskinen. Juster derfor ekstrastoppen (5c) slik at styrekanten er plassert mellom fremre tann på sagbladet og fremre ende av spaltekni-ven.

Bruk av gjæringsindikatoren (figur K)

- ◆ Skyv gjæringsindikatoren inn i et spor (1a) på sagbordet (1).
- ◆ Løsne låsehåndtaket (6a).
- ◆ Roter gjæringsindikatoren (6b) til du har ønsket vinkel.
- ◆ Skalaen (6c) viser innstilt vinkel.
- ◆ Lås låsehåndtaket (6a) igjen.

Bordforlengelse (figur L)

Bordforlengelsen (16) kan brukes for spesielt store arbeidsstykker.

- ◆ Løsne låsehåndtaket (14) og trekk bordforlengelsen ut til ønsket lengde.

Justere bladvinkelen (figur M)

Still inn ønsket skråvinkel fra 0 til 45 grader.

- ◆ Løsne skråvinkel-justeringsknott (10).
- ◆ Skyv inn bladets vippehjul (13) og vri til ønsket vinkel.
- ◆ Sett ønsket vinkel og lås knotten (10) igjen.

Arbeidsanvisninger

Etter hver justering, anbefales det å foreta en testsaging for å sjekke innstilte dimensjoner. Etter at du har slått på sagen, vent på at bladet har nådd maks hastighet før du starter saging.

Sikre lange arbeidsstykker mot å falle av på enden av kuttet (for eksempel med et rullestativ eller lignende). Vær ekstra forsiktig ved start av sagingen!

Langsgående saging

Langsgående saging (splitting, kløving) er å bruke sagen for å sage langs vedretningen.

Trykk en kant av arbeidsstykket mot kløvebakken (5) med den flate siden mot sagbordet (1). Bladbeskyttelsen (2) skal alltid være senket over arbeidsstykket. Når du foretar langsgående saging, stå aldri slik at du er på linje med sageretningen.

- ◆ Slå på sagen.
- ◆ Sett hendene (med fingrene lukket) flatt på arbeidsstykket og skyv arbeidsstykket langs og inn mot bladet (4).
- ◆ Styr på siden med venstre eller høyre hånd (avhengig av posisjonen) bare så langt som fremre kant av sagbladbeskyttelsen (2).
- ◆ Skyv alltid arbeidsstykket gjennom til enden av spaltekni-ven (3) ved hjelp av skyvepinne (19) som vist i figur N.
- ◆ Avkappet forblir på sagbordet (1).
- ◆ Sikre lange arbeidsstykker mot å falle av på enden av kuttet med et rullestativ eller lignende.

Advarsel! Bruk alltid en skyvepinne (19) ved kapping av små arbeidsstykker.

Ikke forsøk å kappe svært små biter.

Tverssaging

- ◆ Lås gjæringsindikatoren (6) på 0 grader.
- ◆ Still inn ønsket skråvinkel til 0 grader.
- ◆ Juster høyden av sagbladet (4).
- ◆ Hold arbeidsstykket flatt på bordet (1) og mot føringen. Hold arbeidsstykket vekk fra bladet.
- ◆ Hold begge hendene unna banen til sagbladet.
- ◆ Slå maskinen på og la sagbladet komme opp i full hastighet.
- ◆ Hold arbeidsstykket godt mot føringen og før arbeidsstykket langsomt sammen med føringsmodulen til arbeidsstykket er under øvre bladbeskyttelse.
- ◆ La tennene skjære seg gjennom arbeidsstykket, ikke bruk makt for å tvinge arbeidsstykket gjennom sagbladet. Hastigheten på sagbladet bør holdes konstant.

Etter at kappingen er fullført, slå av maskinen, la bladet stoppe og ta bort arbeidsstykket.

Advarsel! Du må aldri skyve på, eller berøre den avkappede enden av arbeidsstykket.

Håndtering av fastkjørt sagblad

- ◆ Pass på at maskinen er frakoblet strømmen.
- ◆ Fjern arbeidsstykket. Pass på så hendene dine ikke berører sagbladet.
- ◆ Trykk inn overbelastningsbeskyttelsen (21) og koble til maskinen igjen for å fortsette jobben.

Etter bruk

- ◆ Etter bruk, tork av spon og støv som har festet seg til verktøyet med en klut eller lignende.
- ◆ Smør glidende flater med maskinolje for å forhindre rust.

Miljøvern

Separat avfallshåndtering. Produkter og batterier merket med dette symbolet skal ikke kastes i vanlig husholdningsavfall.

Produkter og batterier inneholder materialer som kan gjenbrukes eller gjenvinnes for å redusere behovet for nye råmaterialer. Vennligst lever elektrisk utstyr og batterier til gjenbruk i henhold til lokale retningslinjer. Mer informasjon finner du på www.2helpU.com

Tekniske data

		BES720 Type 1
Spenning	V	230
Frekvens	Hz	50
Inngangseffekt	W	1800
Ubelastet hastighet	/min	5200
Bladdiameter	mm	254
Bladtykkelse	mm	2,0
Tillatt område snittbredde	mm	2,8
Hullstørrelse	mm	30
Spalteknivtykkelse	mm	2,5
Maks. kuttedybde ved 45°	mm	58
Maks. kuttedybde ved 90°	mm	80
Blad vinkelområde		0 - 45°
Vekt	kg	27,56

Lydtryknivå i henhold til EN 62841:

L_{pA} (lydtrykk) 95 dB(A), usikkerhet (K) 3 dB(A)

L_{WA} (lydeffekt) 108 dB(A), usikkerhet (K) 3 dB(A)

EF-samsvarserklæring
MASKINDIREKTIVET

BES720 Bordsag

Black & Decker erklærer at disse produktene, som er beskrevet under "Tekniske data", er i samsvar med:

EN62841-1:2015, EN62841-3-9:2015+A11:2017,

Disse produktene er også i samsvar med direktiv 2006/42/EU, 2014/30/EU og 2011/65/EU.

Hvis du ønsker mer informasjon, kan du kontakte Black & Decker på adressen under eller se baksiden av bruksanvisningen.

Undertegnede er ansvarlig for utarbeidelsen av den tekniske dokumentasjonen og gir denne erklæringen på vegne av Black & Decker.

Patrick Diepenbach
General Manager, Benelux
Black & Decker,
Egide Walschaertsstraat 14-18
2800 Mechelen, Belgia
21/05/2021

Garanti

Black & Decker er trygg på kvaliteten av produktene sine og tilbyr en 24 måneders garanti fra kjøpsdato. Denne garantierklæringen kommer i tillegg til dine lovbestemte rettigheter og er ikke i konflikt med disse. Garantien er gyldig innen områdene tilhørende medlemslandene i den Europeiske Union (EU) og det Europeiske Frihandelsområdet (EFTA).

For å ta garantien i bruk må kravet være i samsvar med kjøpsbetingelsene fra Black&Decker og du må vise kjøpskvittering til forhandleren eller til et autorisert serviceverksted. Betingelsene for Black & Deckers 2 års garanti og adressen til din nærmeste autoriserte serviceverksted kan du finne på internett under www.2helpU.com, eller ved å kontakte ditt lokale Black & Decker kontor, adressen er angitt i denne bruksanvisningen.

Besøk våre nettsider på www.blackanddecker.no for å registrere ditt nye Black & Decker-produkt og for å få informasjon om nye produkter og spesialtilbud.

Tilsigtet brug

Din BLACK+DECKER BES720 bordsav er beregnet til at save og krydssave alle slags tømmer svarende til maskinens størrelse. Værktøjet er kun beregnet til privat brug.

Sikkerhedsinstruktioner

Generelle sikkerhedsadvarsler vedrørende elværktøj



Advarsel! Læs alle sikkerhedsadvarsler, instruktioner, illustrationer og specifikationer, der følger med elværktøjet. Hvis efterfølgende advarsler og instruktioner ikke følges, er der risiko for elektrisk stød, brand og alvorlige kvæstelser.

Gem alle advarsler og instruktioner til fremtidig reference.

Begrebet "elværktøj", der benyttes i nedenstående advarsler, henviser til netdrevet elværktøj (med netledning) eller batteridrevet elværktøj (uden netledning).

1. Sikkerhed i arbejdsområdet

- Hold arbejdsområdet rent og ordentligt oplyst.** Rodede eller mørke områder giver anledning til ulykker.
- Brug ikke elværktøj i eksplosive omgivelser, f.eks. hvor der er brændbare væsker, gasser eller støv.** Elværktøj danner gnister, der kan antænde støv eller dampe.
- Hold børn og andre personer i nærheden på afstand, når der arbejdes med elværktøj.** Distractioner kan medføre, at du mister kontrollen.

2. Elektricitet og sikkerhed

- Elværktøjets stik skal passe til kontakten. Stikket må aldrig modificeres på nogen måde. Undlad at bruge adapterstik sammen med (jordforbundet) elektrisk værktøj.** Umodificerede stik og dertil passende stikkontakter reducerer risikoen for elektrisk stød.
- Undgå kropskontakt med jordforbundne overflader som f.eks. rør, radiatorer, komfurer og køleskabe.** Der er øget risiko for elektrisk stød, hvis din krop er jordforbundet.
- Udsæt ikke elværktøj for regn, og brug det ikke, hvor omgivelserne er våde.** Hvis der trænger vand ind i et elektrisk værktøj, øges risikoen for elektrisk stød.
- Pas på, at ledningen ikke beskadiges. Brug aldrig ledningen til at bære, trække værktøjet eller trække det ud af stikkontakten. Hold ledningen borte fra varme, olie, skarpe kanter og bevægelige dele.** Beskadigede eller sammenfiltrede ledninger øger risikoen for elektrisk stød.
- Hvis elværktøj benyttes i det fri, skal der benyttes en forlængerledning, som er godkendt til udendørs brug.** Brug af en ledning, der er egnet til udendørs brug, reducerer risikoen for elektrisk stød.

- Brug en strømkilde med fejlstrømsrelæ, hvis det er nødvendigt at anvende elværktøj på fugtige steder.** Ved at benytte en fejlstrømsafbryder reduceres risikoen for elektrisk stød.

3. Personersikkerhed

- Vær opmærksom, hold øje med, hvad du laver, og brug elværktøjet fornuftigt. Betjen ikke værktøjet, hvis du er træt, påvirket af narkotika, alkohol eller medicin.** Et øjeblikvis uopmærksomhed under anvendelse af et elektrisk værktøj kan forårsage alvorlige kvæstelser.
 - Brug personligt beskyttelsesudstyr. Bær altid beskyttelsesbriller.** Det er muligt at reducere risikoen for kvæstelser ved alt efter omstændighederne at anvende det passende sikkerhedsudstyr såsom en støvmaske, skridsikre sikkerhedssko, sikkerhedshjelm eller høreværn.
 - Træf forholdsregler, så utilsigtet start ikke er mulig. Kontrollér, at afbryderkontakten står på slukket, inden værktøjet tilsluttes strømkilden og/eller batteriet, samles op eller bæres.** Når elektrisk værktøj bæres med fingeren på kontakten eller tilsluttes, når kontakten er tændt, giver det anledning til ulykker.
 - Fjern indstillingsnøgle eller skruenøgle, inden elværktøjet startes.** En skruenøgle eller anden nøgle, der bliver siddende på en roterende del af elektrisk værktøj, kan give anledning til personskade.
 - Stræk dig ikke for langt. Hold hele tiden en god fodstilling og balance.** Dette udgør at du har bedre kontrol over det elektriske værktøj, når uventede situationer opstår.
 - Brug egnet arbejdstøj. Bær ikke løst tøj eller smykker. Hold hår og tøj væk fra bevægelige dele.** Løstsiddende tøj, smykker eller langt hår kan blive fanget i bevægelige dele.
 - Hvis der kan monteres støvudsugnings- og opsamlingsudstyr, skal dette tilsluttes og benyttes korrekt.** Anvendelse af støvsopsamlingsudstyr kan begrænse farer forårsaget af støv.
 - Lad ikke kendskab fra hyppig brug af værktøjer gøre dig uforsigtig og få dig til at ignorere principperne for værktøjssikkerhed.** En uforsigtig handling kan forårsage alvorlig personskade på en brøkdal af et sekund.
- #### 4. Brug og vedligeholdelse af elværktøj
- Overbelast ikke elværktøjet. Brug det elværktøj, der er bedst egnet til det arbejde, der skal udføres.** Det korrekte elværktøj klarer opgaven bedre og mere sikkert med den effekt, som det er konstrueret til.
 - Brug ikke elværktøjet, hvis afbryderkontakten er defekt.** Alt elektrisk værktøj, der ikke kan kontrolleres med kontakten, er farligt og skal repareres.

- c. **Træk stikket ud af stikkontakten og/eller batteriet inden indstilling, tilbehørsudskiftning eller opbevaring af elværktøjet.** Sådanne forebyggende sikkerhedsforanstaltninger mindsker risikoen for, at værktøjet startes utilsigtet.
- d. **Opbevar ubenyttet elværktøj uden for børns rækkevidde. Lad aldrig personer, der ikke er fortrolige med elværktøjet, eller som ikke har læst denne vejledning, benytte maskinen.** El-værktøj er farligt i hænderne på personer, som ikke er instrueret i brugen deraf.
- e. **Elværktøj og tilbehør skal vedligeholdes. Kontroller, om bevægelige dele er skæve og ikke sidder fast, og om delene er brækket eller beskadiget, så elværktøjets funktion påvirkes. Hvis det elektriske værktøj er beskadiget, skal det repareres før brug.** Mange ulykker er forårsaget af dårligt vedligeholdt værktøj.
- f. **Hold skæreværktøj skarpt og rent.** Ordentligt vedligeholdt skæreværktøj med skarpe skærekanter har mindre tilbøjelighed til at binde og er lettere at styre.
- g. **Brug elværktøjet, tilbehøret, værktøjsindsatser osv. i overensstemmelse med disse instruktioner under hensyntagen til arbejdsforholdene og arbejdet, der skal udføres med værktøjet.** Brug af elektrisk værktøj til andre opgaver end dem, det er beregnet til, kan resultere i en farlig situation.
- h. **Hold håndtagene og håndtagsfladerne tørre, rene og fri for olie og fedt.** Glatte håndtag og fedtede håndtagsflader giver ikke en sikker håndtering og kontrol af værktøjet i uventede situationer.
5. **Service**
- a. **Lad kun fagkyndige personer reparere elværktøjet og benyt kun originale reservedele.** Derved sikres det, at værktøjets driftssikkerhed opretholdes.

Sikkerhedsinstruktioner gældende for alle bordsave

1. **Advarsler relateret til beskyttelseskærme**
- a. **Hold beskyttelseskærme på plads. Beskyttelseskærme skal virke og være korrekt monteret.** En beskyttelseskærm, der er løs, beskadiget eller ikke fungerer korrekt, skal repareres eller udskiftes.
- b. **Brug altid savklingsens beskyttelseskærm og spaltekniv til alle gennemsavninger.** Ved gennemsavninger, hvor savklingen skærer helt gennem arbejdsemnets tykkelse, hjælper beskyttelseskærmen og andre sikkerhedsanordninger med at reducere risikoen for personskade.
- c. **Genmonter øjeblikkeligt beskyttelseskærmsystemet efter gennemførelse af en handling (såsom falsning, sokkefladearbejde, kløvsavning), som kræver fjernelse af beskyttelseskærmen og spaltekniven.** Beskyttelseskærmen og spaltekniven hjælper med at reducere risikoen for personskade.
- d. **Sørg for, at savklingen ikke kommer i kontakt med beskyttelseskærmen, spaltekniven eller arbejdsemnet, inden kontakten tændes.** Utilsigtet kontakt af disse elementer med savklingen kan forårsage en farlig tilstand.
- e. **Justér spaltekniven som beskrevet i denne instruktionsmanual.** Forkert afstand, placering og justering kan medføre, at spaltekniven ikke effektivt kan reducere sandsynligheden for tilbageslag.
- f. **For at spaltekniven kan arbejde, skal de sidde fast i arbejdsemnet.** Spaltekniven er ineffektiv, når der skal saves arbejdsemner, som er for korte til at blive tilkoblet med spaltekniven. Under disse tilstande kan et tilbageslag ikke forhindres af spaltekniven.
- g. **Brug den rette savklinge til spaltekniven.** Hvis spaltekniven skal fungere korrekt, skal savklingsens diameter stemme overens med den passende spaltekniv, og selve savklingen skal være tyndere end tykkelsen af spaltekniven, og savklingsens skærebredde skal være bredere end spalteknivens tykkelse.
2. **Advarsler for skæreprocedurer**
- a. **FARE: Anbring aldrig dine fingre eller hænder i nærheden eller på linje med savklingen.** Et øjeblikks uopmærksomhed eller et fald kan føre din hånd mod savklingen og resultere i alvorlig personskade.
- b. **Før kun arbejdsemnet ind i savklingsens rotationsretningen.** Hvis arbejdsemnet føres i den samme retning, som savklingen roterer over bordet, kan det resultere i at arbejdsemnet, og din hånd, trækkes ind i savklingen.
- c. **Brug aldrig geringsmåleren til at indføre arbejdsemnet, når der saves på langs, og brug ikke styreskinnen som et længdestop, når du krydssaver med geringsmåleren.** Når arbejdsemnet indføres med langsnitanslaget og geringsmåleren samtidig, øges sandsynligheden for, at savklingen binder og slår tilbage.
- d. **Når der saves på langs, skal du altid anvende kraft ved indførslen af arbejdsemnet mellem anslaget og savklingen.** Brug en skubbestok, når afstanden mellem anslaget og savklingen er mindre end 150 mm, og brug en skubbeblok, når denne afstand er mindre end 50 mm. "Arbejdshjælpende" enheder holder din hånd ved en sikker afstand fra savklingen.
- e. **Brug kun skubbestocken forsynet af producenten eller fremstillet i overensstemmelse med instruktionerne.**

Denne skubbestok giver tilstrækkelig afstand mellem hånden og savklingen.

- f. **Brug aldrig en beskadiget eller skåret skubbestok.** En beskadiget skubbestok kan gå i stykker og få din hånd til at glide ind i savklingen.
- g. **Arbejd ikke på "frihånd". Brug altid enten langsnitanslaget eller geringsmåleren til position, og vejled arbejdsemnet.** "Frihånd" betyder, at du bruger dine hænder til at støtte eller vejlede arbejdsemnet, i stedet for et langsnitanslag eller en geringsmåler. Frihåndssavning fører til skævhed, binding og tilbageslag.
- h. **Tag aldrig omkring eller over en roterende savklinge.** Hvis du strækker ud efter et arbejdsemne, kan det føre til utilsigtet kontakt med savklingen i bevægelse.
- i. **Sørg for en hjælpearbejdsemnestøtte til bagsiden og/eller siderne af savbordet for lange og/eller brede arbejdsemner for at holde dem lige.** Et langt og/eller bredt arbejdsemne har tendens til at pivotere på bordets kant, hvilket forårsager tab af kontrol, savklingebinding og -tilbageslag.
- j. **Indfør arbejdsemne i et jævnt tempo. Undlad at bøje eller sno arbejdsemnet. Hvis der forekommer fastklemning, skal du straks slukke for værktøjet, trækker værktøjsstikket ud og fjerner fastklemningen.** Hvis savklingen fastklemmes af arbejdsemnet, kan det forårsage tilbageslag eller motorstop.
- k. **Fjern ikke stykker af afskåret materiale, mens saven kører.** Materialet kan sætte sig fast mellem anslaget eller inden i savklings beskyttelseskærm, og savklingen kan trække dine fingre ind i savklingen. Sluk for saven, og vent til savklingen stopper, inden du fjerner materiale.
- l. **Brug et hjælpeanslag i kontakt med bordpladen, når du saver arbejdsemner på langs, som har en tykkelse på under 2 mm.** Et tyndt arbejdsemne kan blive fastklebet under langsnitanslaget og skabe et tilbageslag.

3. Årsager til tilbageslag og relaterede advarsler

Tilbageslag er en pludselig reaktion af arbejdsemnet pga. en blokeret, fastklemt savklinge eller en skæv savlinje i arbejdsemnet hvad angår savklingen, eller når en del af arbejdsemnet bindes mellem savklingen og langsnitanslaget eller anden fastgjort genstand.

Oftest under tilbageslag løftes arbejdsemnet fra bordet af den bageste del af savklingen og drives mod operatøren.

Et tilbageslag opstår som følge af forkert brug eller ved misbrug af saven. Det kan undgås ved at følge nedenstående forholdsregler.

- a. **Stå aldrig direkte på linje med savklingen. Placer altid din krop på samme side af savklingen som anslaget.** Tilbageslag kan drive arbejdsemnet ved høj hastighed mod nogen, der står foran og på linje med savklingen.
- b. **Stræk dig aldrig over eller bag savklingen for at trække eller støtte arbejdsemnet.**

Utilsigtet kontakt med savklingen kan forekomme, eller tilbageslag kan trække dine fingre ind i savklingen.

- c. **Hold og pres aldrig det arbejdsemne, der saves af, mod den roterende savklinge.** Hvis det arbejdsemne, der saves af, bliver presset mod savklingen, skabes der en bindende tilstand og et tilbageslag.
- d. **Anbring anslaget parallelt med savklingen.** Et skævt anslag kniber arbejdsemnet mod savklingen og skaber tilbageslag.
- e. **Vær ekstra forsigtig, når du laver et snit ind i blinde områder af samlede arbejdsemner.** Savklingen, der skal dykke ned, kan skære genstande, som kan medføre tilbageslag.
- f. **Understøt lange paneler for at minimere risikoen for, at savklingen sidder fast og for tilbageslag.** Større plader har en tendens til at bøje pga. deres vægt. Støtte(r) skal placeres under alle dele af panelet, der hænger over bordpladen.
- g. **Vær ekstra forsigtig, når du skærer et arbejdsemne, der er snoet, knudret, skævt eller ikke har en lige kant til at føre det med en geringsmåler eller langs anslaget.** Et skævt, knudret eller snoet arbejdsemne er ustabilt og forårsager skævhed af snittet med savklingen, binding og tilbageslag.
- h. **Sav aldrig mere end ét arbejdsemne, stablet vertikalt og horisontalt.** Savklingen kan opsamle et eller flere emner og forårsage tilbageslag.
- i. **Når du starter saven op igen med savklingen i arbejdsemnet, skal savklingen centreres i skærrerillen, så savtænderne ikke har kontakt med materialet.** Hvis savklingen sætter sig fast, kan den løfte arbejdsemnet op og forårsage tilbageslag, når saven startes igen.
- j. **Hold savklingerne rene, skarpe og med tilstrækkeligt indstillet. Brug aldrig skæve savklinger eller savklinger med revnede eller ødelagte tænder.** Skarpe og korrekt indstillede savklinger minimerer binding, standsning og tilbageslag.

4. Advarsler for driftsprocedure af bordsav

- a. **Sluk for bordsaven og træk strømledningen ud, når du fjerner bordindsatsen, udskifter savklingen eller foretager justeringer til spaltekniven eller savklings beskyttelseskærm, og når maskinen efterlades uden opsyn.** Sikkerhedsforanstaltninger forhindrer ulykker.
- b. **Efterlad aldrig bordsaven i drift uden opsyn. Sluk den, og efterlad ikke værktøjet, indtil det er standstødt helt.** En igangværende sav uden opsyn er en ukontrolleret fare.
- c. **Placer bordsaven på et godt oplyst og plant område, hvor du kan bevare et godt fodfæste og en god balance. Den bør installeres på et område, der giver tilstrækkelig plads til nem håndtering af dit arbejdsemnes størrelse.** Trange, mørke områder og ujævne glatte gulve giver lettere uheld.

- d. **Rengør og fjern regelmæssigt savsmuld fra under bordsaven og/eller støvopsamlingsenheden.** Akkumuleret savsmuld er brændbart og kan selvantænde.
- e. **Bordsaven skal være fastgjort.** En bordsav, der ikke er korrekt fastgjort, kan bevæge sig eller vippe.
- f. **Fjern værktøjer, træstumper osv. fra bordet, inden bordsaven tændes.** Distractioner eller en potentiel fastklemning kan være farlig.
- g. **Brug altid savklinger med den korrekte størrelse og form (diamant kontra rund) spændehuller.** Savklinger, som ikke passer til det monterede udstyr på saven, vil køre excentrisk og medføre tab af kontrol.
- h. **Brug aldrig beskadigede eller forkerte savklingsmonteringsmidler såsom flanger, savklingskiver, bolte eller møtrikker.** Disse monteringsmidler blev specifikt udviklet til din sav, til sikker drift og optimal ydeevne.
- i. **Stå aldrig på bordsaven, og brug den ikke som taburet.** Der kan opstå alvorlig personskade, hvis værktøjet vipper, eller hvis der utilsigtet opstår kontakt med skæreværktøjet.
- j. **Sørg for at savklingen er monteret til at rotere i den korrekte retning. Brug ikke slibeskiver, metalbørster eller sliberuller på bordsaven.** Forkert montering af savklinge eller brug af tilbehør, der ikke er anbefalet, kan forårsage alvorlig personskade.
- ◆ Bær øjeværn for at reducere risikoen for alvorlig personskade.
 - ◆ Brug den medfølgende støvpose ved savning i træ.
 - ◆ Vælg den korrekte klinge til det materiale, der skal skæres.
 - ◆ Brug ikke maskinen uden påmonteret skærm. Brug ikke maskinen, hvis skærmen ikke fungerer eller ikke er korrekt vedligeholdt.
 - ◆ Før hvert savsnit kontroller, at maskinen er stabil.
 - ◆ Sørg for, at håndtagene er tørre, rene og fri for olie og fedt.
 - ◆ Hold området omkring maskinen ryddeligt og frit for løst materiale som f.eks. spåner og afsavede stykker.
 - ◆ Sørg for, at maskinen og arbejdsområdet har tilstrækkeligt generelt eller lokalt lys.
 - ◆ Lad ikke uerfarne personer betjene maskinen.
 - ◆ Kontroller, at klingen er monteret korrekt før brug. Sørg for at klingens retning er i den korrekte retning. Hold klingens skarp. Følg vejledningen vedrørende smøring og udskiftning af tilbehør.
 - ◆ Kontrollér at den afmærkede hastighed på savklingen mindst svarer til den hastighed, der er afmærket på klassificeringsklingen.
 - ◆ Frakobl altid maskinen, før du udfører vedligeholdelse eller udskifter klingens.
 - ◆ Rengør og vedligehold ikke maskinen, og fjern ikke afsavede stumper eller andre dele af arbejdsområdet fra saveområdet, når maskinen kører, og savhovedet ikke er i hvilestilling.
 - ◆ Kontroller, at alle låseknapper og greb er spændt, før arbejdet påbegyndes.
 - ◆ Forsøg aldrig at stoppe maskinen hurtigt, mens den kører, ved at blokere savbladet med et værktøj eller andet; det kan forårsage alvorlige ulykker.
 - ◆ Læs brugervejledningen før anvendelse eller montering af tilbehør. Ukorrekt anvendelse af tilbehør kan medføre skader.
 - ◆ Gør ikke advarselsskiltene på elværktøjet ulæselige.
 - ◆ Stå ikke på elværktøjet. Der kan opstå alvorlig tilskadekomst, hvis elværktøjet vælter eller ved kontakt med klingens.
 - ◆ Rør ikke ved klingens efter arbejde, før den er kølet af. Klingens temperatur bliver meget varm under arbejde.
 - ◆ For at undgå tilskadekomst forårsaget af materialer, der kastes ud, skal savens ledning tages ud af stikkontakten, før mindre dele fjernes.
 - ◆ Sørg for, at spaltekniven er justeret til den korrekte afstand fra klingens.

Ekstra sikkerhedsinstruktioner for bordsave

- ◆ Den tilsigtede anvendelse er beskrevet i denne betjeningsvejledning. Brug af ekstraudstyr eller tilbehør eller udførelse af andre opgaver med dette værktøj end de, der anbefales i denne vejledning, kan medføre risiko for personskade og/eller materiel skade.
- ◆ Brug ikke revnede/bøjede/beskadigede/deformerede savklinger.
- ◆ Anvend ikke klinger med længere eller mindre diameter end anbefalet. For korrekt vurdering af klinger, se de tekniske data.



Advarsel! Berøring af eller indånding af støvpartikler fra savarbejde kan udgøre en fare for både brugerens og eventuelle tilskuers helbred. Bær en specielt designet støvmaske til beskyttelse mod støv og røg, og sørg for, at personer, der befinder sig på eller kommer ind på arbejdsområdet, også er beskyttet.

- ◆ Arbejd ikke med materiale, der indeholder asbest. Asbest kan være kræftfremkaldende.
- ◆ Bær handsker ved håndtering af savklinger og ru materialer (savklinger bør opbevares i en holder, hvor det er muligt).
- ◆ Bær høreværn for at reducere risikoen for påført høretab.
- ◆ Brug evt. specialudviklede støjreducerende savblade.

Advarsel! Kontroller altid, at spaltekniven er låst i position og flugter med klingens, før hver brug og efter enhver vedligeholdelse.

- ◆ Klingens skærm skal kontrolleres for korrekt funktion før brug og efter vedligeholdelse.

Denne test skal udføres, mens saven er slukket og ledningen taget ud af stikkontakten. Få elværktøjet serviceret af et kvalificeret værksted, hvis skærmen ikke fungerer korrekt. Kontakt BLACK+DECKER kundeservice for at få oplyst nærmeste serviceværksted.

- ◆ Denne bordsav er kun beregnet til savning i træ, plastik og ikke-jernholdigt metal. Anvend ikke saven til at skære i andre materialer end dem, der anbefales af producenten.
- ◆ Rør ikke ved klingens efter arbejde, før den er kølet af. Klingens bliver meget varm under arbejde.



Advarsel! Skæring i plastik, saftigt træ og andre materialer kan forårsage, at smeltede materialer akkumuleres på klingspidserne og selve savklingen, hvilket øger risikoen for, at klingens bliver overophedet og binder under skæring.

Tilbageværende risici

De følgende risici er uløseligt forbundet med brugen af save: Selv ved overholdelse af relevante sikkerhedsforskrifter og anvendelse af sikkerhedsudstyr kan visse resterende risici ikke undgås. Disse omfatter:

- ◆ Tilskadekomst forårsaget af berøring af roterende/bevægelige dele.
- ◆ Hørenedsættelse.
- ◆ Risiko for uheld forårsaget af udækkede dele af det roterende savblad.
- ◆ Risiko for tilskadekomst ved udskiftning af dele, klinger eller tilbehør.
- ◆ Risiko for at klemme fingre ved åbning af beskyttelsesskærme.
- ◆ Sundhedsrisici forårsaget af indånding af det støv, der udvikles ved savning i træ, især eg, bøg og MDF.
- ◆ Tilskadekomst forårsaget af langvarig brug af et apparat. Husk at holde pause jævnligt ved brug af et apparat i længere tid.

Støj

De angivne værdier for udsendelse af støj er målt iht. standardtestmetoden og kan bruges til at sammenligne ét værktøj med et andet.

De angivne støjemissionsværdier kan også bruges i forbindelse med en foreløbig vurdering af eksponeringen.

Advarsel! Støjmissionerne ved faktisk brug af elværktøjet kan afvige fra de angivne værdier afhængig af måden, værktøjet anvendes på, især typen af behandlet arbejdsemne.

Advarsel! Bær altid høreværn. Under nogle forhold og varigheden af brug, kan støj fra dette produkt give høretab. Vær opmærksom på de følgende faktorer, som har indflydelse på udsættelse for støj:

- ◆ Brug savklinger, der er designet til at reducere støjstråling.
- ◆ Brug kun godt slebne savklinger, og
- ◆ Brug specifikt designede støjreducerende savklinger.

Mærkater på værktøjet

Følgende piktogrammer vises på værktøjet sammen med datokoder:



Advarsel! Brugeren skal læse brugervejledningen for at reducere risikoen for kvæstelser.



Bær sikkerhedsbriller eller beskyttelsesbriller



Bær høreværn



Bær en støvmaske



Dette produkt må ikke bruges af børn under 16 år



Hold hænderne væk fra klingens



Bær handsker ved håndtering af savblade



Udsæt ikke apparatet for regn eller høj fugtighed.



Tag stikket ud af stikkontakten, hvis ledningen bliver beskadiget eller filtrer.



Forsigtig! Læs instruktionsmanualen for den korrekte justerings- og læseprocedure for skærmen og spaltekniiven.

Elektricitet og sikkerhed



Denne maskine er dobbelt isoleret. Derfor er jordledning ikke nødvendig. Kontrollér altid, at strømforsyningen svarer til spændingen på mærkepladen.

- ◆ Hvis netledningen beskadiges, skal den udskiftes af producenten eller et autoriseret Stanley FatMax-værksted, så farlige situationer undgås.

Spændingsfald

Indkoblingsstrømspidser forårsager kortvarige spændingsfald. Under ugunstige strømforsyningsforhold kan andet udstyr påvirkes. Hvis strømforsyningsens systemimpedans er lavere end 0,361 opstår der normalt ikke forstyrrelser.

Brug af en forlængerledning

Brug altid en godkendt forlængerledning, der er egnet til dette værktøjs strømstik (se de tekniske data). Før brug skal forlængerledningen inspiceres for tegn på beskadigelse, slid og ældning. Udskift forlængerledningen, hvis den er beskadiget eller defekt. Ved brug af en ledningstrømle skal ledningen altid rulles helt ud. Brug af en forlængerledning, der ikke passer til værktøjets strømstik, eller som er beskadiget eller defekt, kan medføre risiko for brand eller elektrisk stød.

Funktioner

Udstyret har nogle eller alle af de efterfølgende funktioner.

1. Savbord
2. Klingens beskyttelsesskærm
- 2a. Opbevaring af klingens beskyttelsesskærm
3. Spaltekniv
4. Savklinge
- 4a. Opbevaring af savklinge
5. Langsnitanslag
- 5a. Opbevaring af langsnitanslag
6. Geringsmålér
- 6a. Opbevaring af geringsmålér
7. Støvpose
8. Afbryderkontakt
9. Benholder
10. Låsegreb til justering af smig
11. Håndtag til klingeløft
12. Låsegreb til benholder
13. Klingevipningshjul
14. Låsehåndtag til forlængerbord
15. Låsehåndtag til langsnitanslag
16. Forlængerbord
17. Hagenøgle X2
18. Styreskinne
19. Skubbestok
20. Bordindsats
21. Overbelastet beskyttelsesenhed
22. Justeringsenhed til beholderniveau
23. Strømkabel
24. Strømkabelopbevaringsklapper

Samling

- ◆ Åbn din æske, og løft saven ud.
- ◆ Anbring saven på en glat, flad overflade såsom en arbejdsbænk eller et stærkt bord.
- ◆ Maskinen leveres med savklingen (4) indstillet til 45 grader.

Nulstil til 0 grader efter indstilling af klingevinklen som i nedenstående instruktioner

Montering af benholderen (fig. A, B & C)

Bemærk: Benholderne er blevet udviklet, så de kun kan monteres på én måde. Sørg for, at benene altid hælder udad, som vist på forsidens og monteringstegningen på side 2.

- ◆ Løsn og fjern alle fire låsegreb til benholder (12), som vist på figur A.
- ◆ Anbring bordsaven på hovedet på en stabil overflade, og indsæt benholderne (9), som vist på figur B. Sørg for korrekt retning.
- ◆ Sæt låsegrebene til benholder (12) på plads, mens du sørger for, at de passerer gennem hullerne på benholderne (9) og stramme dem godt, som vist på figur B.
- ◆ Bordsaven kommer med en justeringsenhed til beholderniveau (22). Denne kan justeres for at kompensere for uregelmæssige gulve, som vist på figur C.

Opsætning af spaltekniv (fig. D, E & F)

Advarsel! Spaltekniven (3) skal leveres i den korrekte position til gennemskæring. Før første brug og inden tilslutning af maskinen til strømmen skal du dog sikre dig, at spaltekniven er fast, på linje med klingens og har den korrekte afstand til klingens - se fig.F. Arbejd kun med maskinen, hvis spaltekniven (3) er i den øverste position, medmindre saven bruges til langsnit. SKÆRMEN SKAL FJERNES I FORBINDELSE MED LANGSNIT. HÆV STRAKS SPALTEKNIVEN OG SÆT SKÆRMEN PÅ IGEN EFTER GENNEMFØRELSEN AF ENHVER HANDLING, DER KRÆVER FJERNELSE AF SKÆRMEN ELLER SÆNKNING AF SPALTEKNIVEN. Påmontering af spaltekniven (3) i den øverste position som følger:

- ◆ Fjern fastgørelsesskruen (20a) på bordindsatsen (20), og løft bordindsatsen væk fra saven, som vist i figur D.
- ◆ Hæv savklingen og spalteknivsamlingen ved at dreje håndtaget til klingeløft (11) med uret, som vist på figur E.
- ◆ Løsn låsehåndtaget (3a), og træk spaltekniven (3) ind i den øverste position, som vist på figur F.
- ◆ Sæt låsehåndtaget (3a) tilbage til den låste position.

Advarsel! Hvis låsehåndtaget (3a) ikke kan placeres i den nederste kvadrants låste position (fig. F), vil spaltekniven muligvis ikke blive placeret korrekt.

Flyt spaltekniven og nulstil låsehåndtaget i den nederste kvadrantposition.

Advarsel! Låsekniven (3A) skal være i den nederste kvadrant, under vandret position - se fig. F, for at blive helt låst. Kontroller dette omhyggeligt.

Klingens beskyttelsesskærmenhed (fig. G)

Advarsel! Spaltekniven skal låses i den øverste position, før skærmen påmonteres.

Skærmen må ikke påmonteres, når spaltekniven er placeret og låst i den nederste position.

- ◆ Klingens beskyttelsesskærm (2) leveres med en fjederbelastet låsestift (2c) til at placere og fastgøre skærmen på spaltekniven (3). Skærmen skal påmonteres, når der foretages gennemsvævninger, for at reducere risikoen for personskade.
- ◆ Hæv savklingen og spalteknivsamlingen ved at dreje håndtaget til klingeløft (11) mod uret som vist på figur E.
- ◆ Placer stangen bag på skærmen (2b) nedad og mod bagsiden af spalteknivens placering (3b).
- ◆ Tryk på låsestiften (2c) og sænk skærmen, så den flugter med spalteknivens forreste placering (3c)
- ◆ Frigør låsestiften og bekræft, at skærmen sidder godt fast på spaltekniven.
- ◆ Operatøren bør kun kunne fjerne skærmen fra spaltekniven ved at trykke ned på låsestiften (2c) og derefter løfte skærmen opad.
- ◆ Træk forsigtigt beskyttelsen op fra spaltekniven for at sikre, at den er helt monteret.

Støvhåndtering

- ◆ Din sav er forsynet med en støvpose (7), der skal fastgøres til støvporten bag på enheden (som vist på side 3), hvis der ikke anvendes en støvsuger.
- ◆ Hvis du vil bruge en støvsuger, er både skærmporten og den bageste port velegnet til mundstykker på 35 mm. Støvsugeren skal være velegnet til det materiale, der arbejdes med.
 - ◆ Ved støvsugning af tørt støv, der er særligt sundhedsskadeligt eller kræftfremkaldende, skal du bruge en støvsuger af støvklasse M.
 - ◆ Kontrollér, at den anvendte støvopsamlingslange passer til applikationen og det materiale, der skal skæres. Sørg for korrekt slangestyling

Savklingsmontering-/udskiftning (fig. O)

Advarsel! Kontrollér altid, at spaltekniven flugter, og at skærmene fungerer, efter hver vedligeholdelse.

Advarsel! Kontrollér altid, at spaltekniven er låst i position og flugter med klingens, før hver brug og efter enhver vedligeholdelse.

Skærmen skal påmonteres, når der foretages gennemsvævninger.

Advarsel! Sørg for, at maskinen er afbrudt fra strømkilden. Bær beskyttelseshandsker.

- ◆ Demonter savklingsens beskyttelsesskærm (2).
- ◆ Fjern bordindsatsen (20).

- ◆ Løsn savklingsmøtrikken ved at placere hagenøglen (17) på møtrikken og modvirke med en anden hagenøgle (17) på flangen.

Advarsel! Drej møtrikken i savklingsens rotationsretning.

- ◆ Fjern den ydre flange, og tag savklingen ud af den indre flange, med diagonal nedadgående bevægelse.
- ◆ Rengør omhyggeligt flangen, inden du fastsætter den nye savklinge.
- ◆ Indsæt den nye savklinge, og fastgør den ydre flange.

Advarsel! Tænderne på en ny klinge er meget skarpe og kan være farlige. Sørg for, at tænderne peger ned på forsiden af bordet, på linje med pilene markeret på savklingsens beskyttelsesskærm (2).

Advarsel! Kontrollér altid, at spaltekniven flugter, og at skærmene fungerer, efter hver vedligeholdelse.

Advarsel! Kontrollér altid, at spaltekniven er låst i position og flugter med klingens, før hver brug og efter enhver vedligeholdelse. Skærmen skal påmonteres, når der foretages gennemsvævninger.

Tænd/sluk-kontakt (8)

- ◆ For at tænde for maskinen skal du løfte det sorte paddeldæksel og trykke på den grønne startknap.
- ◆ Du slukker for maskinen ved at trykke på den sorte paddel.

Skæredybde

Drej håndtaget til klingeløft (11) for at indstille klingens indstilling til den påkrævede skæredybde.

- ◆ Drej mod uret for at øge skæredybden.
- ◆ Drej med uret for at reducere skæredybden.

Efter hver ny justering anbefales det at udføre et prøvesnit for at kontrollere de indstillede dimensioner.

Bemærk: Det anbefales, at savklingsens højde er ca. 3,2 mm over toppen af arbejdsområdet.

Montering af langsnitanslag (fig. H, & I)

- ◆ Fastgør langsnitanslaget (5) på bagsiden, og tryk låsehåndtaget (15) nedad.
- ◆ Under demontering skal du trække låsehåndtaget (15) op og fjerne langsnitanslaget (5).
- ◆ Langsnitanslaget kan strammes med den bageste rouletterede møtrik (5b).

Indstilling af savbredde (fig. J)

Langsnitanslaget (5) bruges til at skære materiale på langs.

- ◆ Anbring langsnitanslaget (5) på styreskinen (18) til højre eller venstre for savklingen.
- ◆ Skalaen på styreskinen (18) kan bruges til at vise mellemrummet mellem anslagsskinen (4), kun når bordet ikke er i den forlængede position (fig. L)
- ◆ Indstil langsnitanslaget (5) til den påkrævede specifikation på skueglasset, og fastgør det med låsehåndtaget til langsnitanslaget (15).

Hjælpestop (fig. J1)

Ved savning af smalle arbejdsemner og geringsvinkler skal hjælpestoppet (5c) monteres på langsniantslaget (5), som vist på J1.

Ved savning af smalle arbejdsemner kan de blive fastklemt mellem langsniantslaget og savklingen, sætte sig fast ved savklingens rotation og blive kastet fra maskinen. Juster derfor hjælpestoppet (5c) på en sådan måde, at dets føringskant er placeret mellem den forreste savklingetand og forenden af spaltekniven.

Brug af geringsmåleren (fig. K)

- ◆ Skub geringsmåleren ind i en åbning (1a) på savbordet (1).
- ◆ Løsn låsehåndtaget (6a).
- ◆ Roter geringsmåleren (6b), indtil den påkrævede vinkel er indstillet.
- ◆ Skalaen (6c) viser den indstillede vinkel.
- ◆ Genstram låsehåndtaget (6a).

Forlængerbord (fig. L)

Forlængerbordet (16) kan bruges til særligt brede arbejdsemner.

- ◆ Løsn låsehåndtaget (14), og træk bordbreddeforlængelsen ud til den påkrævede længde.

Indstilling af klinge vinklen (fig. M)

Indstil den påkrævede geringsvinkel fra 0 til 45 grader.

- ◆ Løsn låsegrebet (10) til justering af smig.
- ◆ Skub klinge vipningshjulet (13) ind, og drej til den ønskede vinkel.
- ◆ Opsæt den ønskede vinkel, og lås derefter grebet (10) igen.

Arbejdsinstruktioner

Efter hver ny justering anbefales det at udføre en prøve for at kontrollere de indstillede dimensioner. Efter at have tændt saven skal du vente på, at klingen når dens maksimale rotationshastighed, inden du går i gang med snittet.

Fastgør det lange arbejdsemne mod at falde ned ved enden af snittet (f.eks. med et valsestativ osv.) Pas ekstra på, når du starter snittet!

Foretagelse af snit på langs

Snit på langs (også kendt som langsnit) er når du bruger savn til at skær langs træets åre. Tryk den ene kant af arbejdsemnet mod langsniantslaget (5) med den flade side på savbordet (1). Klingens beskyttelsesskærm (2) skal altid sænkes over arbejdsemnet. Når du foretager et snit på langs, må du aldrig indtage en arbejdsstilling, der er på linje med skæreretningen.

- ◆ Tænd for saven.

- ◆ Placer dine hænder (med lukkede fingre) fladt på arbejdsemnet, og skub arbejdsemnet med og ind i klingens (4).
- ◆ Før dent ind i siden med din venstre eller højre hånd (afhængigt af positionen), kun så langt som forkanten af savklingens beskyttelsesskærm (2).
- ◆ Skub altid arbejdsemnet gennem enden af spaltekniven (3) ved hjælp af skubbestokken (19), som vist på figur N.
- ◆ Det afsavede emne forbliver på savbordet (1).
- ◆ Fastgør det lange arbejdsemne mod at falde ned ved enden af snittet med et valsestativ osv.

Advarsel! Brug altid skubbestokken (19) ved langsnitning af små arbejdsemner.

Skær ikke i meget små arbejdsemner.

Krydssavning

- ◆ Lås geringsmåleren (6) ved 0 grader.
- ◆ Indstil geringsvinklen til 0 grader.
- ◆ Juster savklingens (4) højde.
- ◆ Hold arbejdsemnet fladt på bordet (1) og imod anslaget. Hold arbejdsemnet på afstand af klingens (4).
- ◆ Hold begge hænder på afstand af savklingen.
- ◆ Slå maskinen til og lad savklingen komme op på fuld hastighed.
- ◆ Hold arbejdsemnet tæt mod anslaget, og bevæg langsomt arbejdsemnet sammen med anslagssamlingen, indtil arbejdsemnet kommer under den øverste klinge beskyttelsesskærm.
- ◆ Lad tænderne skære og tving ikke arbejdsemnet gennem savklingen. Savklingens hastighed skal holdes konstant.

Når snittet er færdigt, sluk for maskinen, lad savklingen stoppe og udtag arbejdsemnet.

Advarsel! Skub aldrig eller hold i den eller afskærne side af arbejdsemnet.

Håndtering af klingefastklemning

- ◆ Sørg for, at maskinen er afbrudt fra strømkilden.
- ◆ Fjern arbejdsemnet. Pas på, at dine hænder ikke rører ved savklingen.
- ◆ Tryk på den overbelastede beskyttelsesenhed (21), og tilslut stikket igen. Maskinen kan genoptage arbejde.

Efter brug

- ◆ Efter brug skal du tørre spåner og støv af, som sidder fast på værktøjet, med en klud eller lignende.
- ◆ Smør glidedelene med maskinolie for at forebygge rust.

Miljøbeskyttelse



Særskilt bortskaffelse. Produkter og batterier mærket med dette symbol må ikke bortskaffes sammen med normalt husholdningsaffald.

Produkter og batterier indeholder materialer, der kan genvindes eller genbruges og således reducere efterspørgslen efter råvarer. Genbrug venligst elektriske produkter og batterier i henhold til lokale bestemmelser. Yderligere informationer findes på www.2helpU.com

EF-overensstemmelseserklæring

MASKINDIREKTIV



BES720 Bordsav

Black & Decker erklærer, at produkterne beskrevet under "Tekniske data" er i overensstemmelse med: EN62841-1:2015, EN62841-3-9:2015+A11:2017, Disse produkter er endvidere i overensstemmelse med direktiv 2006/42/EF, 2014/30/EU og 2011/65/EU.

Kontakt Black & Decker på nedenstående adresse eller se vejledningens bagside for at få yderligere oplysninger.

Undertegnede er ansvarlig for udarbejdelsen af de tekniske data og fremsætter denne erklæring på vegne af Black & Decker.

Patrick Diepenbach

Patrick Diepenbach
Generaldirektør, Benelux

Black and Decker,
Egide Walschaertsstraat 14-18
2800 Mechelen, Belgien
21/05/2021

Tekniske data

		BES720 type 1
Spænding	V	230
Frekvens	Hz	50
Effektindgang	W	1800
Tomgangshastighed	/min.	5200
Klingediameter	mm	254
Klingens kropstykkelse	mm	2.0
Tilladt interval af snitbredde	mm	2.8
Hulstørrelse	mm	30
Spaltekniv tykkelse	mm	2.5
Maks. skæredybde ved 45°	mm	58
Maks. skæredybde ved 90°	mm	80
Klingegeeringsinterval		0 - 45°
vægt	kg	27.56

Lydtrykniveau i henhold til EN 62841:	
L_{pa} (lydtryk) 95 dB(A), usikkerhed (K) 3 dB(A)	
L_{wa} (lydeffekt) 108 dB(A), usikkerhed (K) 3 dB(A)	

Garanti

Black & Decker er overbevist om den gode kvalitet af sine produkter og giver forbrugerne en garanti på 24 måneder fra købsdatoen. Garantien er et tillæg til forbrugers lovmæssige rettigheder og påvirker ikke disse. Garantien er gyldig inden for medlemsstaterne af Den Europæiske Union og Det Europæiske Frihandelsområde.

Når du gør krav på garantien, skal kravet være i overensstemmelse med Black & Decker vilkår og betingelser, og du skal indsende dokumentation for købet til sælgere eller til en autoriseret reparatør. Vilkår og betingelser for Black & Decker 2 års garanti og placeringen af dit nærmeste autoriserede serviceværksted kan fås på internettet på www.2helpU.com, eller ved at kontakte dit lokale Black & Decker kontor på den adresse, der er angivet i denne.

Besøg venligst vores websted www.blackanddecker.eu for at registrere dit nye Black & Decker produkt og modtage opdateringer om nye produkter og specielle tilbud.

Käyttötarkoitus

BLACK+DECKER BEST720 -pöytäsaaha on tarkoitettu kaikenlaisen laitteen mittoihin sopivan materiaalin leikkaamiseen ja poikkileikkaamiseen. Tämä työkalu on tarkoitettu vain yksityiskäyttöön.

Turvallisuusohjeet

Sähkötyökalujen yleiset turvavaroitukset



Varoitus! Lue kaikki sähkötyökalun mukana toimitetut varoitukset, käyttöohjeet ja tekniset tiedot. Alla olevien varoitusten ja ohjeiden noudattamisen laiminlyönti saattaa johtaa sähköiskuumen, tulipaloon ja/tai vakavaan loukkaantumiseen.

Säästä kaikki varoitukset ja ohjeet tulevaa käyttöä varten. Ohjeissa käytetty käsite "sähkötyökalu" tarkoittaa verkkokäyttöisiä sähkötyökaluja (verkkojohdolla varustettuja) ja akkukäyttöisiä sähkötyökaluja (ilman verkkojohdtoa).

1. Työalueen turvallisuus

- Pidä työalue puhtaana ja hyvin valaistuna.** Onnettomuuksia sattuu herkemmin epäsiistissä tai huonosti valaistussa ympäristössä.
- Älä käytä sähkötyökalua räjähdysalttiissa ympäristössä, jossa on syttyvää nestettä, kaasua tai pölyä.** Sähkötyökalujen aiheuttamat kipinät voivat sytyttää pölyn tai kaasut.
- Pidä lapset ja sivulliset loitolla sähkötyökalua käyttäessäsi.** Keskittymiskyvyn herpaantuminen voi aiheuttaa hallinnan menettämisen.

2. Sähköturvallisuus

- Sähkötyökalun pistokkeen on sovitava pistorasiaan. Älä koskaan tee pistokkeeseen mitään muutoksia. Älä yhdistä maadoitettua sähkötyökalua jatkojohtoon.** Sähköiskun vaara vähenee, jos pistokkeisiin ei tehdä muutoksia ja ne yhdistetään vain niille tarkoitettuihin pistorasioihin.
- Vältä koskettamasta maadoitettuja pintoja, kuten putkia, lämpöpattereita, liesiä tai jääkaappeja.** Voit saada sähköiskun, jos kehosi on maadoitettu.
- Älä altista sähkötyökalua sateelle tai kosteudelle.** Sähkötyökaluun menevä vesi lisää sähköiskun vaaraa.
- Älä käsittele virtajohtoa kovakouraisesti. Älä kannata työkaluja sähköjohdosta tai vedä pistoketta pistorasiasta sähköjohdon avulla. Pidä sähköjohto kaukana kuumuudesta, öljystä, terävistä reunoista tai liikkuvista osista.** Vaurioituneet tai soikeutuneet johdot lisäävät sähköiskun vaaraa.
- Käyttäessäsi sähkötyökalua ulkona käytä ainoastaan ulkokäyttöön soveltuvaa jatkojohtoa.**

Ulkokäyttöön tarkoitettujen sähköjohdon käyttäminen vähentää sähköiskun vaaraa.

- Jos sähkötyökalua on välttämättä käytettävä kosteassa paikassa, käytä vikavirtasuojalla (RCD) suojattua virtalähdettä.** Tämä vähentää sähköiskun vaaraa.
- Henkilöturvallisuus**
 - Ole valpas, keskity työhön ja noudata tervettä järkeä sähkötyökalun käytössä. Älä käytä tätä työkalua ollessasi väsynyt tai alkoholin, huumeiden tai lääkkeiden vaikutuksen alaisena.** Keskittymisen herpaantuminen hetkeksikin sähkötyökalua käytettäessä voi aiheuttaa vakavan henkilövahingon.
 - Käytä henkilökohtaisia suojavarusteita. Käytä aina suojalaseja.** Hengityssuojaimen, liukumattomien turvajalkineiden, kypärän ja kuulonsuojaimen käyttäminen vähentää henkilövahinkojen vaaraa.
 - Vältä tahatonta käynnistämistä. Varmista, että kytkin on OFF-asennossa, ennen kuin liität laitteen virtalähteeseen ja/tai akkuun, nostat laitteen tai kannat sitä.** Sähkötyökalun kantaminen sormi virtakytkimellä lisää onnettomuusvaaraa.
 - Irrota mahdollinen säätö- tai kiintoavain ennen kuin käynnistät sähkötyökalun.** Sähkötyökalun pyöriivään osaan kiinni jäänyt avain voi johtaa loukkaantumiseen.
 - Älä kurkotta. Huolehdi siitä, että sinulla on koko ajan tukeva jalansija ja hyvä tasapaino.** Näin voit hallita sähkötyökalua paremmin odottamattomissa tilanteissa.
 - Käytä tarkoitukseen soveltuvia vaatteita. Älä käytä löysiä vaatteita tai koruja. Pidä hiukset ja vaatteet loitolla liikkuvista osista.** Löysät vaatteet, korut tai pitkät hiukset voivat tarttua liikkuviin osiin.
 - Jos työkalun voi liittää pölynimuriin, tarkista, että liitos on tehty asianmukaisesti ja että laitteita käytetään oikealla tavalla.** Pölyn ottaminen talteen voi vähentää pölyn aiheuttamia vaaroja.
 - Vaikka käyttäisit usein työkaluja ja sinulla olisi niistä hyvä tuntemus, älä jätä lukematta työkalun turvallisuusohjeita.** Huolimattomuus voi johtaa vakaviin henkilövahinkoihin jopa sekunnin murto-osassa.
 - Sähkötyökalujen käyttö ja hoito**
 - Älä ylikuormita sähkötyökalua. Valitse käyttötarkoituksen kannalta oikea sähkötyökalu.** Sähkötyökalu toimii paremmin ja turvallisemmin, kun sitä käytetään sille suunniteltuun käyttötarkoitukseen.
 - Älä käytä sähkötyökalua, jota ei voida käynnistää ja pysäyttää virtakytkimestä.** Jos sähkötyökalua ei voi hallita kytkimen avulla, se on vaarallinen ja se on korjattava.

- c. **Irrota pistotulppa pistorasiasta ja/tai akku laitteesta ennen kuin suoritat säätöjä, vaihdat tarvikkeita tai siirrä sähkötyökalun varastoitavaksi.** Näin voit vähentää vahingossa käynnistymisen aiheuttaman henkilövahingon vaaraa.
- d. **Säilytä sähkötyökalut poissa lasten ulottuvilta, kun niitä ei käytetä. Älä anna sähkötyökalua sellaisen henkilön käyttöön, joka ei tunne sitä tai joka ei ole tutustunut tähän käyttöohjeeseen.** Sähkötyökalut ovat vaarallisia kouluttamattomien käyttäjien käsissä.
- e. **Hoida sähkötyökaluasi ja lisävarusteita huolella.** Tarkista, että liikkuvat osat toimivat moitteettomasti ja etteivät ne ole puristuksessa. Tarkista myös, ettei työkalussa ei ole murtuneita tai vahingoittuneita osia, jotka saattaisivat vaikuttaa haitallisesti sen toimintaan. Jos havaitset vaurioita, korjauta sähkötyökalu ennen niiden käyttämistä. Huonosti kunnossapidetyt sähkötyökalut aiheuttavat onnettomuuksia.
- f. **Pidä leikkausterät terävinä ja puhtaina.** Kunnossa pidettyjen leikkaavien teräviä reunoja sisältävien työkalut todennäköisyys jumiutua vähenee, ja niitä on helpompi hallita.
- g. **Käytä sähkötyökaluja, tarvikkeita, vaihtoteriä yms. näiden ohjeiden mukaisesti. Ota tällöin huomioon työolosuhteet ja suoritettava toimenpide.** Jos sähkötyökalua käytetään näiden ohjeiden vastaisesti, voi syntyä vaaratilanne.
- h. **Pidä kahvat ja kädensijat kuivina ja puhtaina öljystä ja rasvasta.** Liukkaat kahvat ja rasvaiset kädensijat estävät työkalun turvallisen käsittelyn ja hallinnan odottamattomissa tilanteissa.
5. **Huolto**
- a. **Korjauta sähkötyökalu koulutetulla ja ammattitaitoisella henkilöllä ja hyväksy korjauksiin vain alkuperäisiä varaosia.** Tämä varmistaa sähkötyökalun turvallisuuden.

Turvaohjeet kaikille pöytäsaohille

1. **Suoja ja koskevat varoitukset**
- a. **Varmista, että suojat ovat paikoillaan. Varmista suojien hyvä kunto ja kiinnitys.** Löystynyt, vaurioitunut tai virheellisesti toimiva suoja tulee korjata tai vaihtaa.
- b. **Käytä aina sahanterän suoja ja halkaisukiilaa läpileikkauksia suorittaessa.** Kun sahanterä leikkaa työkalupaleen kokonaan, suoja ja muut turvalaitteet auttavat ehkäisemään henkilövahingot.
- c. **Kiinnitä suojat välittömästi takaisin sellaisten toimenpiteiden jälkeen, jotka edellyttävät suojan ja halkaisukiilan poistoa (esim. kynte, kuutiot tai uudelleensahaus).** Suoja ja halkaisukiila auttavat ehkäisemään henkilövahingot.
- d. **Varmista, ettei sahanterä kosketa suoja, halkaisukiilaa tai työkalupalaa ennen kuin virtakytkin on kytketty päälle.** Mikäli sahanterä koskettaa niitä vahingossa, seurauksena voi olla vaaratilanne.
- e. **Säädä halkaisukiila tässä oppaassa kuvatulla tavalla.** Halkaisukiilan virheellinen sijoittelu ja kohdistus voi haitata takaiskun estämistä.
- f. **Jotta halkaisukiila toimisi oikein, sen täytyy koskettaa työkalupalaa.** Halkaisukiila on tehoton sahatessa liian lyhyitä työkalupaleita, joita ei voida asettaa halkaisukiilaan. Halkaisukiila ei voi tällöin estää takaiskua.
- g. **Käytä halkaisukiilaan sopivaa sahanterää.** Jotta halkaisukiila toimisi virheettömästi, sahanterän halkaisijan tulee olla halkaisukiilan mukainen, sahanterän rungon on oltava halkaisukiilaa kapeampi ja sahanterän leikkuuleveyden on oltava halkaisukiilan paksuutta suurempi.
2. **Leikkausmenettelyiden varoitukset**
- a. **VAARA: Älä koskaan aseta sormia tai käsiä sahanterän lähelle tai samansuuntaisesti sahanterään.** Hetkellinenkin epähuomio tai lipsahdus voi aiheuttaa käden siirtymisen sahanterään ja vakavia henkilövahinkoja.
- b. **Syötä työkalupalaa sahanterään ainoastaan kiertosuuntaa vasten.** Jos työkalupalaa syötetään samaan suuntaan pöydän päällä olevan sahanterän kiertosuuntaan nähden, työkalupalaa käyttäjän käsi voivat ohjautua sahanterään.
- c. **Älä koskaan käytä kulmasahauksen mittaria työkalupaleen syöttämiseen halkaisusahauksessa. Älä myöskään käytä halkaisusahausta pituusrajoittimena suorittaessa poikkileikkauksia kulmasahauksen mittarilla.** Jos työkalupalaa ohjataan samanaikaisesti halkaisusahauksella ja kulmasahauksen mittarilla, sahanterän kiinnijuuuttumisen ja takaiskun vaara on suurempi.
- d. **Kohdistu syöttövoima halkaisusahauksessa aina ohjaimen ja sahanterän väliin.** Käytä työntökapulaa, kun ohjaimen ja sahanterän välinen etäisyys on alle 150 mm, ja käytä työntökappaletta etäisyyden ollessa alle 50 mm. Käden riittävä turvaetäisyys voidaan varmistaa "apulaitteiden" avulla.
- e. **Käytä ainoastaan valmistajan toimittamaa tai ohjeiden mukaan valmistettua työntökapulaa.** Kyseinen työntökapula varmistaa riittävän käden ja sahanterän välisen etäisyyden.
- f. **Älä koskaan käytä vaurioitunutta tai leikattua työntökapulaa.** Vaurioitunut työntökapula voi rikkoutua ja aiheuttaa käden siirtymisen sahanterään.
- g. **Älä kannattele leikattavaa kappaletta pelkästään käsissäsi.**

Käytä aina joko halkaisuohjainta tai kulmasahauksen mittaria työkappaleen sijoittamiseen ja ohjaamiseen.

"Kannattelu pelkästään käsillä" tarkoittaa työkappaleen tukemista ja ohjaamista käsillä halkaisuohjaimen tai kulmasahauksen mittarin sijaan. Kannattelu pelkästään käsillä aiheuttaa virheellisen kohdistuksen, kiinnijuuttumisen sekä takaiskuja.

- h. Älä koskaan kurottele pyörivän sahanterän yli tai ympärillä.** Työkappaleeseen kurottelu voi aiheuttaa osumisen pyörivään sahanterään.
- i. Tue työkappaletta ja varmista niiden tasaisuus käyttämällä lisätukia sahanterän takaosassa ja/tai sivuilla pitkiä ja/tai leveitä työkappaleita käsitellessä.** Pitkät ja/tai leveät työkappaleet ohjautuvat helposti pöydän reunaan aiheuttaen hallinnan menetyksen, sahanterän kiinnijuuttumisen sekä takaiskuja.
- j. Syötä työkappaletta tasaisella nopeudella. Älä taita tai väännä työkappaletta. Mikäli työkappale juuttuu kiinni, sammuta laite välittömästi, irrota laite sähköverkosta ja poista tukos.** Jos sahanterä juuttuu kiinni työkappaleeseen, seurauksena voi olla takaisku tai moottorin leikkautuminen kiinni.
- k. Älä poista leikattuja materiaalikappaleita sahan ollessa käynnissä.** Materiaali voi jäädä kiinni ohjaimen tai sahanterän suojan sisäosan ja sahanterän väliin, jolloin sormet voivat ohjautua sahanterään. Sammuta saha ja odota, että sahanterä on pysähtynyt kokonaan ennen materiaalin poistamista.
- l. Käytä lisäohjainta asettamalla se kosketuksiin pöydän yläosaan, kun leikkaat paksuudeltaan alle 2 mm työkappaleita.** Ohuet työkappaleet voivat juuttua halkaisuohjaimen alle ja aiheuttaa takaiskun.

3. Takaiskun syyt ja siihen liittyvät varoitukset

Takaisku on äkinäinen työkappaleen reaktio, joka johtuu puristuksiin jääneestä, kiinni juuttuneesta sahanterästä tai työkappaleen virheellisesti kohdistetusta leikkauslinjasta sahanterään nähden tai työkappaleen jonkin osan juuttumisesta sahanterän ja halkaisuohjaimen tai muun pysyvän osan väliin.

Takaiskun aikana työkappale nousee usein pöydästä sahanterän takaosan vuoksi, jolloin se siirtyy voimalla käyttäjää kohti.

Takaisku aiheutuu työkalun vääranlaisesta käytöstä ja/tai väärin työmenetelmistä tai työolosuhteista, jotka voidaan välttää seuraavilla varoimenpiteillä.

- a. Älä koskaan seisoo suoraan samassa linjassa sahanterään nähden. Aseta keho aina samalle puolelle sahanterää ohjaimen nähden.** Takaisku voi siirtää työkappaleen suurella nopeudella niitä henkilöitä kohti, jotka ovat sahanterän edessä tai samassa linjassa siihen nähden.

- b. Älä koskaan kurottele sahanterän yli tai sen taakse työkappaleen vetämiseksi tai tukemiseksi.** Muutoin sahanterään voidaan osua vahingossa tai seurauksena voi olla takaisku, joka vetää sormet sahanterään.
 - c. Älä koskaan pitele tai paina leikattavaa työkappaletta pyörivää sahanterää vasten.** Jos leikattavaa työkappaletta painetaan sahanterää vasten, se voi juuttua tai seurauksena voi olla takaisku.
 - d. Kohdista ohjain samansuuntaisesti sahanterään nähden.** Virheellisesti kohdistettu ohjain puristaa työkappaleen sahanterää vasten ja aiheuttaa takaiskun.
 - e. Noudata erityistä varovaisuutta leikatessa asennettujen työkappaleiden sokeita kohtia.** Esiin tunkeutuva sahanterä voi kohdata vastuksen, joka aiheuttaa takaiskun.
 - f. Tue isot levyt sahanterän juuttumisen ja takaiskun vaaran vähentämiseksi.** Suuret paneelit taipuvat usein notkolle omasta painostaan. Tuet tulee asettaa pöydän yläosasta ulostulevan paneelin kaikkien osien alle.
 - g. Noudata erityistä varovaisuutta sahatessa vääntynyttä, oksaista tai taipunutta työkappaletta, tai jos työkappaleessa ei ole suoraa reunaa sen ohjaamiseksi kulmasahauksen mittarilla tai ohjaimella.** Vääntyneet, oksaiset tai taipuneet työkappaleet ovat epävakaita ja ne aiheuttavat uuroksen virheellisen kohdistumisen sahanterään, kiinnijuuttumisia ja takaiskuja.
 - h. Älä koskaan sahaa useampaa kuin yhtä työkappaletta pysty- tai vaakasuuntaisessa pinossa.** Sahanterä voi nostaa yhden tai useamman kappaleen ja aiheuttaa takaiskun.
 - i. Kun käynnistät sahan uudelleen sahanterän ollessa työkappaleessa, keskitä sahanterä uurtoon niin, etteivät hampaat ole kiinni materiaalissa.** Jos sahanterä joutuu puristuksiin, se saattaa nostaa työkappaleen ja aiheuttaa takaiskun, kun saha käynnistetään uudelleen.
 - i. Varmista, että sahanterät ovat puhtaita, teräviä ja oikein asetettuja. Älä koskaan käytä vääntyneitä tai haljenneita tai vaurioituneita hampaita sisältäviä sahanteräitä.** Terävät ja oikein asetetut sahanterät minimoivat kiinnijuuttumisen, lukkiutumisen ja takaiskun vaaran.
- 4. Pöytäsahan käyttöä koskevat varoitukset**
 - a. Kytke pöytäsaha pois päältä ja irrota virtajohto sähköverkosta, kun poistat pöydän lisäkappaletta, vaihdat sahanterää tai säädät halkaisukillaa tai sahanterän suojaa, ja aina kun laite jätetään ilman valvontaa.** Onnettomuuden voidaan välttää ennaltaehkäisevillä toimenpiteillä.
 - b. Älä koskaan jätä pöytäsahaa ilman valvontaa sen ollessa toiminnassa. Kytke se pois päältä ja tarkkaile sitä, kunnes se on pysähtynyt kokonaan.**

Mikäli käynnissä oleva saha jätetään ilman valvontaa, olemassa on kontrolloimaton vaara.

- c. **Sijoita pöytäsaha hyvin valaistuun paikkaan ja tasaiselle alustalle hyvän tukevuuden ja tasapainon varmistamiseksi. Varmista, että alueella on riittävästi tilaa työkappaleen helppoa käsittelyä varten.** Epäsiistit ja pimeät alueet sekä epätasaiset liukkaat lattiat aiheuttavat helpommin onnettomuuksia.
- d. **Poista sahanpuru säännöllisesti pöydän alta ja/tai pölynpoistolaitteesta ja puhdista ne.** Kertynyt sahanpuru on palavaa ja se voi syttyä itsestään.
- e. **Pöytäsaha tulee varmistaa hyvin paikoilleen.** Jos pöytäsaha ei ole hyvin paikoillaan, se voi siirtyä tai kaatua.
- f. **Poista työkalut, puokappaleet jne. pöydästä ennen kuin kytket pöytäsahan päälle.** Epähuomio tai mahdollinen kiinnijuuttuminen voi aiheuttaa vaaratilanteita.
- g. **Käytä aina oikean kokoisia sahanteriä, joissa on oikean muotoinen keskus (vinoneliö tai pyöreä).** Jos sahanteriä ei vastaa sahan asennuskiinnikkeitä, terä pyörii epäkeskeisesti aiheuttaen hallinnan menetyksen.
- h. **Älä koskaan käytä vaurioituneita tai virheellisiä sahanterän asennusosia (esim. laipat, sahanterän aluslevyt, pultit ja mutterit).** Nämä asennustarvikkeet on tarkoitettu erityisesti kyseiseen sahaan käyttöturvallisuuden ja optimaalisen suorituskyvyn varmistamiseksi.
- i. **Älä koskaan seiso pöytäsahan päällä tai käytä sitä jalustana.** Seurauksena voivat olla vakavat henkilövahingot, jos työkaluun tai leikkausvälineeseen osutaan.
- j. **Varmista, että sahanteriä on asennettu pyörimään oikeaan suuntaan. Pöytäsahassa ei saa käyttää hiomalaikkoja, teräsharjoja tai hankauslaikkoja.** Mikäli sahanteriä asennetaan virheellisesti tai laitteessa käytetään muita kuin suositeltuja lisävarusteita, seurauksena voivat olla vakavat henkilövahingot.

Pöytäsahojen lisäturvaohjeet

- ◆ Tarkoitettu käyttö on kuvattu tässä käyttöohjeessa. Käytä työkalua ainoastaan sellaiseen työhön, johon se on tarkoitettu, ja käytä vain tässä käyttöohjeessa suositeltuja tarvikkeita ja lisälaitteita. Ohjeesta poikkeava käyttö voi aiheuttaa henkilö- ja/tai omaisuusvahinkoja.
- ◆ Älä käytä murtuneita, taipuneita, voittuneita tai vääntyneitä sahanteriä.
- ◆ Älä käytä teriä, joiden halkaisija on suosituksia suurempi tai pienempi. Katso terän sopivat tyypit ja tekniset tiedoista.

Käytä kasvosuojusta, joka on erityisesti tarkoitettu suojaamaan pölyltä ja höyryiltä, ja varmista, että kaikki työskentelyalueella olevat ja sinne tulevat henkilöt käyttävät suojavarusteita.

- ◆ Älä työstä materiaalia, joka sisältää asbestia. Asbesti on syöpää aiheuttava aine.
- ◆ Käytä hansikkaita, kun käsittelet sahanteriä ja karkeaa materiaalia (sahanteriä tulisi kantaa pidikkeessä, aina kun se on mahdollista).
- ◆ Käytä kuulonsuojaimia kuulon vahingoittumisen estämiseksi.
- ◆ Harkitse erityisesti melun vähentämiseen suunniteltujen terien käyttöä.
- ◆ Käytä suojalaseja henkilövahinkovaaran välttämiseksi.
- ◆ Käytä mukana toimitettavaa pölypussia sahatessasi puuta.
- ◆ Valitse oikea terä leikattavalle materiaalille.
- ◆ Älä käytä laitetta, jos suojus ei ole paikoillaan. Älä käytä laitetta, jos suojus ei toimi tai jos sitä ei ole huollettu oikein.
- ◆ Ennen sahaamista tulee varmistaa, että laite on vakaa.
- ◆ Kahvojen tulee olla kuivat, puhtaat ja rasvatomat.
- ◆ Pidä laitetta ympäröivä alue siistinä ja puhtaana irtoneisestä materiaalista, kuten lastuista ja hukkapaloista.
- ◆ Varmista, että laite ja työskentelyalue on varustettu riittävällä yleis- tai kohdevalolla.
- ◆ Älä anna kouluttamattomien henkilöiden käyttää tätä laitetta.
- ◆ Varmista aina ennen käyttöä, että terä on kiinnitetty oikein. Varmista, että terä pyörii oikeaan suuntaan. Pidä terä terävänä. Noudata voitelusta ja osien vaihdosta annettuja ohjeita.
- ◆ Varmista, että sahanteriin merkitty nopeus on vähintään yhtä suuri kuin sahaan merkitty nopeus.
- ◆ Irrota laite aina sähköverkosta ennen huoltotoimenpiteitä tai terän vaihtamista.
- ◆ Älä koskaan suorita puhdistusta, huoltoa tai hukkapalojen tai muiden työkappaleen palojen irrottamista leikkausalueelta, kun laite on käynnissä eikä sahauspää ole lepoasennossa.
- ◆ Varmista aina ennen käytön aloittamista, että kaikki lukitusnupit ja kahvat ovat tiukat.
- ◆ Älä koskaan yritä pysäyttää nopeassa liikkeessä olevaa konetta työkalulla tai muulla välineellä terää painamalla; tämä voi aiheuttaa vakavia onnettomuuksia.
- ◆ Lue käyttöopas huolellisesti ennen lisälaitteiden asennusta tai käyttöä. Lisävarusten virheellinen käyttö voi aiheuttaa vahinkoja.
- ◆ Älä koskaan tee sähkötyökalun varoitusmerkkejä lukukelvottomiksi.
- ◆ Älä koskaan seiso sähkötyökalun päällä. Käyttäjä voi saada vakavia vammoja, jos sähkötyökalu kaatuu, tai jos hän joutuu kosketuksiin sahanterän kanssa.



Varoitus! Sahauksesta syntyvä pöly voi aiheuttaa terveyshaittoja käyttäjälle ja mahdollisille sivullisille.

- ◆ Älä kosketa sahanterää työskentelyn jälkeen ennen kuin se on jäähtynyt. Sahanterästä tulee erittäin kuuma työstön aikana.
- ◆ Vältä sinkoilevista materiaaleista johtuvat vammat irrottamalla saha verkkovirrasta. Siten estät tahattoman käynnistymisen. Poista irtokappaleet sen jälkeen.
- ◆ Varmista, että halkaisukiihi on säädetty oikealle etäisyydelle terästä.

Varoitus! Tarkista aina, että halkaisukiihi on lukittu paikoilleen ja kohdistettu terään ennen jokaista käyttökertaa ja huollon jälkeen.

- ◆ Teränsuojus on tarkistettava aina ennen käyttöä ja aina huollon jälkeen oikean toiminnan varmistamiseksi. Tämä tarkistus on suoritettava sahan ollessa kytkettynä pois päältä ja irrotettuna virtalähteestä. Jos suojus ei toimi oikein, korjautu sähkötyökalu ammattitaitoisella huoltoedustajalla. Selvitä lähin huoltoedustaja soittamalla BLACK+ DECKERin asiakaspalveluun.
- ◆ **Tämä pöytäsaaha on suunniteltu vain puun, muovin ja ei-rautapitoisen metallin sahaamiseen.** Älä käytä sahaa leikkaamaan muita materiaaleja kuin valmistajan suosittelemia.
- ◆ Älä kosketa sahanterää työskentelyn jälkeen ennen kuin se on jäähtynyt. Sahanterästä tulee erittäin kuuma työstön aikana.



Varoitus! Muovin, pihkan peittämän puun ja muiden materiaalien leikkaaminen voi aiheuttaa sulaneiden materiaalien kerääntymisen terän kärkiin ja sahanterän runkoon, mikä voi lisätä terän ylikuumenemisen ja jumiutumisen riskiä leikattaessa.

Jäännösriski

Seuraavat riskit liittyvät sahojen käyttöön:

Tiettyjä jäännösriskejä ei voi välttää, vaikka noudatat kaikkia turvamääräyksiä ja käytät turvalaitteita. Näitä ovat:

- ◆ Pyörivien tai liikkuvien osien koskettamisen aiheuttamat vahingot.
- ◆ Kuulon heikkeneminen.
- ◆ Onnettomuusriski, joka aiheutuu pyörivän sahanterän peittämättömistä osista.
- ◆ Loukkaantumisen riski osia, teriä tai lisävarusteita vaihdettaessa.
- ◆ Sormien puristumisen riski suojuksia vaihdettaessa.
- ◆ Terveysriskit, jotka aiheutuvat pölyn hengittämisestä sahattaessa puuta, erityisesti tammea, pyökkiä ja MDF-levyä.
- ◆ Työkalun pitkäaikaisen käytön aiheuttamat vahingot. Varmista, että pidät säännöllisesti taukoja laitteen pitkäaikaisen käytön aikana.

Melu

Ilmoitetut äänipäästöarvot on mitattu standardin testausmenetelmän mukaisesti, ja niiden avulla voidaan vertailla työkaluja keskenään.

Ilmoitettuja äänipäästöarvoja voidaan käyttää myös altistumisen alustavaan arviointiin.

Varoitus! Sähkötyökalun käytön aikana mitatut todellinen äänipäästöarvo voi poiketa ilmoitetuista arvoista työkalun käyttötavan ja erityisesti työstettävän kappaleen mukaan.

Varoitus! Käytä aina asianmukaisia kuulonsuojaimia.

Joissakin olosuhteissa ja käytön kestäessä tietyn aikaa tämä tuote voi vaikuttaa kuulon heikentymiseen. Huomioi seuraavat tekijät, jotka vaikuttavat melulle altistumiseen:

- ◆ Käytä sahanteriä, jotka on suunniteltu vähentämään melua.
- ◆ Käytä vain hyvin teroitettuja sahanteriä.
- ◆ Käytä erityisiä äänitasoa alentavia sahanteriä.

Työkalun tarrat

Työkalussa on seuraavat merkit sekä päivämääräkoodi:



Varoitus! Käyttäjän on luettava käyttöohje vahinkojen välttämiseksi.



Käytä suojalaseja.



Käytä kuulonsuojaimia.



Käytä pölysuojainta



Tätä tuotetta ei ole tarkoitettu alle 16-vuotiaiden lasten



Pidä kädet poissa terän ulottuvilta.



Käytä hansikkaita käsitellessäsi sahanteriä



Älä käytä laitetta sateessa tai erittäin kosteissa olosuhteissa.



Irrota laite sähköverkosta, jos johto on vaurioitunut tai soikeutunut.



Huomio! Lue suo-
jan ja halkaisukiilan
oikeaoppiset säätö-
ja lukitusohjeet
ohjekirjasta.

Sähköturvallisuus



Tämä laite on kaksoiseristetty, joten erillistä maadoitusta ei tarvita. Tarkista aina, että verkkovirran jännite vastaa tyyppikiilpeen merkittyä jännitettä.

- ◆ Jos virtajohto vahingoittuu, sen vaihtaminen on turvallisuussyistä jätettävä valmistajan tai valtuutetun Stanley FatMax -huollon tehtäväksi.

Jännitteen aleneminen

Käynnistysvälivirta aiheuttaa lyhytaikaisen jännitteen alenemisen. Epävakaava virransyöttö voi aiheuttaa häiriötä muihin laitteisiin. Jos virran syötön järjestelmäimpedanssi on pienempi kuin 0,361 häiriöiden ilmeneminen on epätodennäköistä.

Jatkojohdon käyttäminen

Käytä aina oikeanlaista jatkojohtoa, joka sopii tämän laitteen virransyöttöliitintään (katso kohta Tekniset tiedot). Tarkista jatkojohdon kunto ennen sen käyttämistä. Vahingoittunut tai viallinen kaapeli on vaihdettava. Jos käytät johtokelaa, kelaa johto aina kokonaan auki. Sellaisen jatkojohdon käyttö, joka ei vastaa laitteen syöttötehoa tai joka on viallinen, voi aiheuttaa tulipalon tai sähköiskun.

Yleiskuvaus

Tässä laitteessa on joitakin tai kaikki seuraavista ominaisuuksista.

1. Sahapöytä
2. Terän suoja
- 2a. Terän suojan säilytystila
3. Halkaisukiila
4. Sahanterä
- 4a. Sahanterien säilytystila
5. Halkaisuohjain
- 5a. Halkaisuohjaimen säilytystila
6. Kulmasahauksen mittari
- 6a. Kulmasahauksen mittarin säilytystila
7. Pölypussi
8. Virtakytkin
9. Jalusta
10. Viistokulman lukitusnappi
11. Terän nostokahva
12. Jalustan lukitusnappi
13. Terän kallistuspyörä
14. Pöydän lisäkappaleen lukituskahva
15. Halkaisuohjaimen lukituskahva
16. Pöydän lisäkappale

17. Mutteriavain X2
18. Ohjauskisko
19. Työntökappale
20. Pöydän lisäkappale
21. Ylikuormitusuoja
22. Jalustan säädin
23. Virtajohto
24. Virtajohdon kiinnittimet

Asennus

- ◆ Avaa pakkaus ja nosta saha pakkauksesta.
- ◆ Aseta saha tasaiselle ja sileälle alustalle (esim. työpöytä tai tukeva pöytä).
- ◆ Laite sisältää sahanterän (4), joka on asetettu 45 asteeseen. Nollaa se 0 asteeseen noudattamalla alla annettuja terän kulman asetusohjeita.

Jalustan asentaminen (kuvat A, B ja C)

Huomautus: Jalustat on tarkoitettu asennettaviksi vain yhteen suuntaan. Varmista, että jalustat kallistuvat aina ulospäin etukannen kuvan ja sivun 2 asennuskaavion mukaisesti.

- ◆ Irrota ruuvit ja poista kaikki neljä jalustan lukitusnuppia (12) kuvan A mukaisesti.
- ◆ Aseta pöytäsaha ylösalaisin vakaalle alustalle ja aseta jalustat (9) kuvan B mukaisesti. Varmista oikea suunta.
- ◆ Asenna jalustan lukitusnupit (12) takaisin paikoilleen ja varmista, että ne menevät jalustoissa (9) olevien reikien läpi, kiristä hyvin kuvan B mukaisesti.
- ◆ Pöytäsahassa on jalustan säädin (22), jolla voidaan kompensoida epätasaisia alustoja kuvan C mukaisesti.

Halkaisukiilan asettaminen (kuvat D, E ja F)

Varoitus! Halkaisukiila (3) toimitetaan oikeassa asennossa läpileikkausta varten. Ennen laitteen kytkemistä verkkovirtaan ja ennen ensimmäistä käyttökertaa tulee kuitenkin tarkistaa, että halkaisukiila on varmasti paikoillaan, samansuuntaisesti terään ja oikean etäisyyden päässä terästä - ks. kuva F. Laitetta saa käyttää vain silloin, kun halkaisukiila (3) on yläasennossa, ellei sahaa käytetä pituusleikkauksiin. SUOJA ON POISTETTAVA PITUUSLEIKKAUKSIEN AJAKSI. NOSTA HALKAISUKIILA VÄLITTÖMÄSTI JA KIINNITÄ SUOJA TAKAISIN PAIKOILLEN SELLAISTEN TOIMENPITEIDEN JÄLKEEN, JOTKA EDELLYTTIVÄT SUOJAN POISTOA TAI HALKAISUKIILAN LASKEMISTA. Halkaisukiilan (3) asentaminen yläasentoon

Toimi seuraavasti:

- ◆ Irrota kiinnitysruuvi (20a) pöydän lisäkappaleesta (20) ja nosta pöydän lisäkappale sahasta irti kuvan D mukaisesti.
- ◆ Nosta sahanterän ja halkaisukiilan kokoonpano kiertämällä terän nostokahvaa (11) myötäpäivään kuvan E mukaisesti.

- ◆ Löysää lukituskahvaa (3a) ja vedä halkaisukiila (3) yläasentoon kuvan F mukaisesti.
- ◆ Palauta lukituskahva (3a) lukittuun asentoon.

Varoitus! Jos lukituskahvaa (3a) ei voida asettaa alempaan lukittuun neljännesasentoon (kuva F), halkaisukiila voi sijoittua virheellisesti.

Säädä halkaisukiilan asentoa ja nollaa lukituskahva alempaan neljännesasentoon.

Varoitus! Lukituskahvan (3A) on oltava alemmassa neljännesasennossa vaaka-asennon alapuolella sen lukitsemiseksi - ks. kuva F. Tarkista tämä huolellisesti.

Terän suojan asentaminen (kuva G)

Varoitus! Halkaisukiila tulee lukita yläasentoon ennen suojan asentamista.

Suojaa ei saa asentaa, kun halkaisukiila on asetettu ja lukittu ala-asentoon.

- ◆ Terän suoja (2) on jousikuormitteinen lukitustappi (2c) suojan sijoittamiseksi ja kiinnittämiseksi halkaisukiilaan (3). Henkilövahinkojen välttämiseksi suoja tulee asentaa läpipleikkauksia suorittaessa.
- ◆ Nosta sahanterän ja halkaisukiilan kokoonpano kiertämällä terän nostokahvaa (11) vastapäivään kuvan E mukaisesti.
- ◆ Siirrä suojan (2b) takaosassa olevaa palkkia alaspäin ja halkaisukiilan (3b) taakse.
- ◆ Paina lukitustappia (2c) ja laske suojaan sen kohdistamiseksi halkaisukiilan etuosaan (3c).
- ◆ Vapauta lukitustappi ja varmista, että suoja on hyvin paikoillaan halkaisukiilassa.
- ◆ Käyttäjän tulee voida poistaa suoja halkaisukiilasta ainoastaan lukitustappia (2c) painamalla ja nostamalla suoja sen jälkeen ylöspäin.
- ◆ Vedä suojaa kevyesti ylöspäin halkaisukiilasta varmistaaksesi, että se on hyvin paikoillaan.

Pölynhallinta

- ◆ Sahan mukana toimitetaan pölypusi (7), joka tulee kiinnittää laitteen takana olevaan pölynpoistoaukkoon (kuvan 3 mukaisesti), jos imuria ei käytetä.
- ◆ Jos haluat käyttää pölynimuria, voit liittää suojuksen ja laitteen takana olevaan liitäntään 35 mm:n suulakkeet. Imurin tulee soveltua työstettävään materiaaliin.
 - ◆ Jos työstön aikana syntyy terveydelle erityisen haitallista tai karsinogeenistä kuivaa pölyä, käytä M-pölyluokan pölynimuria.
 - ◆ Varmista, että käytettävä pölynpoistoletku sopii käyttötarkoitukseen ja leikattavaan materiaaliin. Varmista oikeaoppinen letkun hallinta

Sahanterän asentaminen/vaihtaminen (kuva O)

Varoitus! Tarkista aina halkaisukiilan kohdistus ja suojen toiminta huoltotoimenpiteiden jälkeen.

Varoitus! Tarkista aina, että halkaisukiila on lukittu paikoilleen ja kohdistettu terään ennen jokaista käyttökertaa ja huollon jälkeen.

Suoja tulee asentaa läpipleikkauksia suorittaessa.

Varoitus! Varmista, että laite on irrotettu virtalähteestä. Käytä suojakäsineitä.

- ◆ Irrota sahanterän suoja (2).
- ◆ Poista pöydän lisäkappale (20).
- ◆ Löysää sahanterän mutteria asettamalla mutteriavain (17) mutteriin ja käyttämällä toista mutteriavainta (17) vastakkaiseen suuntaan laipassa.

Varoitus! Kierrä mutteria sahanterän kiertosuuntaan.

- ◆ Poista ulkoinen laippa ja irrota sahanterä sisäisestä laipasta siirtämällä sitä diagonaalisesti alaspäin.
- ◆ Puhdista laippa varoen ennen uuden sahanterän asentamista.
- ◆ Aseta uusi sahanterä paikoilleen ja kiinnitä ulkoinen laippa.

Varoitus! Uuden terän hampaat ovat erittäin terävät ja ne voivat olla vaaralliset. Varmista, että hampaat osoittavat alaspäin pöydän etuosassa ja että ne on kohdistettu sahanterän suoja (2) olevaan nuoleen.

Varoitus! Tarkista aina halkaisukiilan kohdistus ja suojen toiminta huoltotoimenpiteiden jälkeen.

Varoitus! Tarkista aina, että halkaisukiila on lukittu paikoilleen ja kohdistettu terään ennen jokaista käyttökertaa ja huollon jälkeen. Suoja tulee asentaa läpipleikkauksia suorittaessa.

Virtakytkin (8)

- ◆ Kytke laite toimintaan nostamalla mustan lastan suojusta ja painamalla vihreää käynnistuspainiketta.
- ◆ Sammuuta laite painamalla mustaa lastaa.

Leikkaussyvyys

Käännä terän nostokahvaa (11) asettaaksesi terän oikean leikkaussyvyiden.

- ◆ Kierrä vastapäivään leikkaussyvyiden lisäämiseksi.
- ◆ Kierrä myötäpäivään leikkaussyvyiden laskemiseksi.

Asetetut mitat on suositeltavaa tarkistaa jokaisen säädön jälkeen suorittamalla koeleikkaus.

Huomautus: Sahanterä on suositeltavaa asettaa noin 3,2 mm päähän työkappaleen yläreunasta.

Halkaisuohjaimen asentaminen (kuvat H ja I)

- ◆ Kiinnitä halkaisuohjain (5) takaosaan ja paina lukituskahvaa (15) alaspäin.
- ◆ Pura vetämällä lukituskahva (15) ylös ja irrottamalla halkaisuohjain (5).
- ◆ Halkaisuohjain voidaan kiristää takana olevalla pyälletyllä mutterilla (5b).

Sahauslevyiden asentaminen (kuva J)

Halkaisuohjainta (5) käytetään pituussuunnassa leikattavaan materiaaliin nähden.

- ◆ Aseta halkaisuhjain (5) ohjauskiskoon (18) sahanterän oikealle tai vasemmalle puolelle.
- ◆ Ohjauskiskon asteikon (18) avulla voidaan tarkistaa ohjauskiskon ja sahanterän (4) välinen etäisyys, kun pöytää ei ole pidennetty (kuva L)
- ◆ Aseta halkaisuhjain (5) vaadittuun kohtaan tarkistuslasissa ja kiinnitä se paikoilleen halkaisuhjaimen (15) lukituskahvalla.

Lisäpysäytin (kuva J1)

Kun sahataan kapeita työkappaleita ja viistekulmia, lisäpysäytin (5c) on asennettava halkaisuhjaimen (5) kuvan J1 mukaisesti.

Kapeat työkappaleet voivat jäädä kiinni halkaisuhjaimen ja sahanterän väliin, pysähtyä sahanterän kierron vuoksi ja sinkoutua laitteesta. Säädä lisäpysäytin (5c) niin, että sen ohjausreuna sijaitsee sahanterän etuhampaan ja halkaisukiilan etuosan välissä.

Kulmasahauksen mittarin käyttäminen (kuva K)

- ◆ Paina kulmasahauksen mittari sahanterässä (1) olevaan uraan (1a).
- ◆ Löysää lukituskahvaa (6a).
- ◆ Kierrä kulmasahauksen mittaria (6b), kunnes saavutat oikean kulman.
- ◆ Asteikko (6c) näyttää asetetun kulman.
- ◆ Kiristä lukituskahva (6a) uudelleen.

Pöydän lisäkappale (kuva L)

Pöydän lisäkappaletta (16) voidaan käyttää erityisen leveissä työkappaleissa.

- ◆ Löysää lukituskahvaa (14) ja vedä pöydän lisäosa ulos vaadittuun pituuteen.

Terän kulman asettaminen (kuva M)

Aseta vaadittu viistokulma 0 - 45 asteen väliltä.

- ◆ Löysää viistokulman säädön lukitusnuppia (10).
- ◆ Paina terän kallistuspyörä (13) sisään ja kierrä se haluamaasi kulmaan.
- ◆ Aseta haluamasi kulma ja lukitse nuppi (10) uudelleen.

Työohjeet

Asetetut mitat on suositeltavaa tarkistaa jokaisen säädön jälkeen suorittamalla koeleikkaus. Odota sahan päälle kytkemisen jälkeen, että terä on saavuttanut maksimikiertonopeuden ennen sahaamisen aloittamista. Kiinnitä pitkät työkappaleet paikoilleen, jotta niiden loppuosat eivät voisi pudota (esim. rullatelineellä). Noudata erityistä huolellisuutta sahaamisen aloittamisen yhteydessä!

Pitkittäinen sahaaminen

Pitkittäinen sahaaminen (ns. pituusleikkaus) tarkoittaa sahaamista puun syiden suuntaan.

Paina työkappaleen yksi reuna halkaisuhjainta (5) vasten tasaisen puolen ollessa sahanterässä (1). Terän suoja (2) tulee aina laskea alas työkappaleen päällä. Pituusleikkauksessa tulee varmistaa, ettei käyttäjä ole koskaan samassa linjassa leikkaussuuntaan nähden.

- ◆ Käynnistä saha.
- ◆ Aseta kädet (sormet kiinni) tasaisesti työkappaleeseen ja paina työkappaletta terän suuntaisesti terään (4).
- ◆ Ohjaa sivulta vasemmalla tai oikealla kädellä (asennosta riippuen) korkeintaan sahanterän suojan (2) etureunaan saakka.
- ◆ Paina työkappale aina läpi halkaisukiilan (3) loppuun työntökapulan (19) avulla kuvan N mukaisesti.
- ◆ Irri leikattu kappale jää sahapöytään (1).
- ◆ Kiinnitä pitkät työkappaleet paikoilleen, jotta niiden loppuosat eivät voisi pudota (esim. rullatelineellä).

Varoitus! Käytä aina työntökapulaa (19) pieniä työkappaleita leikatessa.

Älä leikkaa liian pieniä työkappaleita.

Poikkileikkaukset

- ◆ Lukitse kulmasahauksen mittari (6) 0 asteen kulmaan.
- ◆ Aseta viistokulma 0 asteeseen.
- ◆ Säädä sahanterän (4) korkeutta.
- ◆ Pidä työkappaletta tasaisesti pöydällä (1) ja ohjainta vasten. Pidä työkappale terästä kaukana.
- ◆ Pidä molemmat kädet poissa sahanterän toiminta-alueelta.
- ◆ Kytke laite päälle ja anna sahanterän saavuttaa täysi nopeus.
- ◆ Pidä työkappaletta tiukasti ohjainta vasten ja siirrä työkappaletta hitaasti ohjaimen kanssa, kunnes työkappale asettuu ylemmän terän suojan alle.
- ◆ Anna hampaiden leikata, älä pakota työkappaletta sahanterän läpi. Sahanterän nopeuden tulisi olla tasainen.

Sammuta laite, anna sahanterän pysähtyä ja poista työkappale leikkauksen jälkeen.

Varoitus! Älä koskaan pidä kiinni työkappaleen pois leikatusta puolesta tai paina sitä.

Toimenpiteet terän juutuessa kiinni

- ◆ Varmista, että laite on irrotettu virtalähteestä.
- ◆ Poista työkappale. Varo, etteivät kädet osu sahanterään.
- ◆ Paina ylikuormitusuojaa (21) ja liitä pistoke uudelleen sähköverkkoon laitteen toiminnan palauttamiseksi.

Käytön jälkeen

- ◆ Poista lastut ja pöly käytön jälkeen työkalusta pyyhkimällä se liinalla tai vastaavalla.
- ◆ Voitele liukuvat osat koneöljyllä ruostumisen estämiseksi.

Ympäristönsuojelu



Toimita tämä laite erilliskeräykseen. Tällä symbolilla merkityjä tuotteita ja akkuja ei saa hävittää tavallisen kotitalousjätteen mukana.

Tuotteissa ja akuissa on materiaaleja, jotka voidaan ottaa talteen tai kierrättää uudelleen käyttöä varten. Kierrätä sähkölaitteet ja akut paikallisten määräyksien mukaan.

Lisätietoa on saatavilla osoitteessa www.2helpU.com

Tekniset tiedot

		BES720 Tyyppi 1
Jännite	V	230
Taajuus	Hz	50
Ottoteho	W	1800
Kuormittamaton nopeus	/min	5200
Terän läpimitta	mm	254
Terän rungon paksuus	mm	2,0
Uurroksen sallittu leveys	mm	2,8
Aukon koko	mm	30
Halkaisukiilan paksuus	mm	2,5
Maksimileikkaussyvyys 45° kulmassa	mm	58
Maksimileikkaussyvyys 90° kulmassa	mm	80
Terän viistokulma		0 - 45°
Paino	kg	27,56

Äänenpainetaso standardin EN 62841 mukaisesti:

L_{pa} (äänenpaine) 95 dB(A), epävarmuus (K) 3 dB(A)

L_{wa} (äänitehotaso) 108 dB(A), epävarmuus (K) 3 dB(A)

Allekirjoittanut vastaa teknisten tietojen kokoamisesta tehden tämän ilmoituksen Black & Deckerin puolesta.

Patrick Diepenbach

Patrick Diepenbach
Pääjohtaja, Benelux
Black and Decker,
Egide Walschaertsstraat 14-18
2800 Mechelen, Belgium
21/05/2021

Takuu

Black & Decker on vakuuttanut tuotteidensa korkeasta laadusta ja tarjoaa kuluttajille 24 kuukauden takuun, joka astuu voimaan ostopäivänä. Takuu on lisäys kuluttajan laillisiin oikeuksiin eikä vaikuta niihin. Tämä takuu on voimassa kaikissa EU- ja ETA-maissa.

Edellytyksenä takuun saamiselle on, että vaade täyttää Black & Deckerin ehdot ja että ostaja toimittaa ostotositteen jälleenmyyjälle tai valtuutetulle huoltoliikkeelle. Black & Deckerin kahden vuoden takuun ehdot ja lähimmän valtuutetun korjauspalvelun yhteystiedot ovat saatavilla osoitteessa www.2helpU.com tai ottamalla yhteyttä paikalliseen Black & Deckerin toimipisteeseen tässä ohjekirjassa ilmoitettuun osoitteisiin.

Käy verkkosivuillemme osoitteessa www.blackanddecker.eu ja rekisteröi uusi Black & Decker -tuotteesi saadaksesi tietoa uusista tuotteista ja erikoistarjouksista.

EY-vaatimustenmukaisuusvakuutus

KONEDIREKTIIVI



BES720 Pöytäsaaha

Black & Decker ilmoittaa, että Tekniset tiedot -kohdassa kuvatut tuotteet täyttävät seuraavien direktiivien vaatimukset:

EN62841-1:2015, EN62841-3-9:2015+A11:2017,

Nämä tuotteet täyttävät myös direktiivien 2006/42/EY, 2014/30/EY ja 2011/65/EY vaatimukset.

Lisätietoja saa ottamalla yhteyden Black & Deckeriin seuraavassa osoitteessa. Tiedot ovat myös käyttöohjeen takakannessa.

Προβλεπόμενη χρήση

Το πριόνι πάγκου BLACK+DECKER BES720 έχει σχεδιαστεί για την κοπή και εγκάρσια κοπή όλων των τύπων ξυλείας σύμφωνα με το μέγεθος του μηχανήματος. Αυτό το εργαλείο προορίζεται μόνο για καταναλωτική χρήση.

Οδηγίες ασφαλείας

Γενικές προειδοποιήσεις ασφαλείας για ηλεκτρικά εργαλεία



Προειδοποίηση! Διαβάστε όλες τις προειδοποιήσεις ασφαλείας, τις οδηγίες, τις απεικονίσεις και τις προδιαγραφές του συνοδού του ηλεκτρικού εργαλείου. Η μη τήρηση των παρακάτω προειδοποιήσεων και οδηγιών μπορεί να προκαλέσει ηλεκτροπληξία, πυρκαγιά και/ή σοβαρές σωματικές βλάβες.

Φυλάξτε όλες τις προειδοποιήσεις και τις οδηγίες για μελλοντική αναφορά. Ο όρος "ηλεκτρικό εργαλείο" που χρησιμοποιείται σε όλες τις παρακάτω προειδοποιήσεις, αναφέρεται είτε σε εργαλείο που λειτουργεί με ρεύμα δικτύου (ρεύματος - με καλώδιο) είτε σε εργαλείο που λειτουργεί με μπαταρία (μπαταρίας - χωρίς καλώδιο).

1. Ασφάλεια χώρου εργασίας

- α. Διατηρείτε τον χώρο εργασίας καθαρό και καλά φωτισμένο.** Οι ατακτοποιητοί ή σκοτεινοί χώροι γίνονται αιτίες ατυχημάτων.
- β. Μη χρησιμοποιείτε ηλεκτρικά εργαλεία σε περιβάλλον όπου υπάρχει κίνδυνος έκρηξης, όπως με παρουσία εύφλεκτων υγρών, αερίων ή σκόνης.** Τα ηλεκτρικά εργαλεία παράγουν σπινθήρες που μπορεί να προκαλέσουν ανάφλεξη της σκόνης ή των αναθυμιάσεων.
- γ. Όταν χρησιμοποιείτε ηλεκτρικό εργαλείο, κρατάτε μακριά τα παιδιά και άλλα άτομα.** Παράγοντες που αποσπούν την προσοχή μπορεί να σας κάνουν να χάσετε τον έλεγχο.

2. Ασφαλής χρήση ηλεκτρικού ρεύματος

- α. Τα φισ των ηλεκτρικών εργαλείων πρέπει να ταιριάζουν στην πρίζα. Σε καμία περίπτωση μην τροποποιήσετε το φισ, με κανένα τρόπο. Μη χρησιμοποιείτε φισ προσαρμογής με γειωμένα ηλεκτρικά εργαλεία.** Τα φισ που δεν έχουν υποστεί τροποποιήσεις και οι κατάλληλες πρίζες μειώνουν τον κίνδυνο ηλεκτροπληξίας.
- β. Αποφεύγετε την επαφή του σώματός σας με γειωμένες επιφάνειες, όπως σωλήνες, καλοριφέρ, κουζίνες και ψυγεία.** Υπάρχει αυξημένος κίνδυνος ηλεκτροπληξίας αν το σώμα σας είναι γειωμένο.
- γ. Μην εκθέτετε τα ηλεκτρικά εργαλεία σε βροχή ή υγρασία.** Η διείσδυση νερού σε ένα ηλεκτρικό εργαλείο αυξάνει τον κίνδυνο ηλεκτροπληξίας.

- δ. Μην κακομεταχειριζέστε το καλώδιο. Ποτέ μη χρησιμοποιήσετε το καλώδιο για να μεταφέρετε, να τραβήξετε ή να αποσυνδέσετε από την πρίζα το ηλεκτρικό εργαλείο. Κρατάτε το καλώδιο μακριά από θερμότητα, λάδια, αιχμηρά άκρα ή κινούμενα μέρη.** Τα καλώδια που έχουν υποστεί ζημιά ή είναι μπερδεμένα αυξάνουν τον κίνδυνο ηλεκτροπληξίας.
- ε. Όταν χρησιμοποιείτε ηλεκτρικό εργαλείο σε εξωτερικούς χώρους, να χρησιμοποιείτε πάντοτε καλώδιο επέκτασης κατάλληλο για εργασία σε εξωτερικούς χώρους.** Η χρήση καλωδίου κατάλληλου για εργασία σε εξωτερικούς χώρους μειώνει τον κίνδυνο ηλεκτροπληξίας.
- στ. Εάν είναι αναπόφευκτη η χρήση ενός ηλεκτρικού εργαλείου σε συνθήκες υγρασίας, χρησιμοποιήστε μια διάταξη προστασίας από ρεύμα διαρροής (RCD).** Η χρήση μιας διάταξης RCD μειώνει τον κίνδυνο ηλεκτροπληξίας.

3. Προσωπική ασφάλεια

- α. Όταν χρησιμοποιείτε ηλεκτρικό εργαλείο, να είστε σε εγρήγορση, να συγκεντρώνετε στην εργασία που κάνετε και να επιστρατεύετε την κοινή λογική. Μη χρησιμοποιείτε ηλεκτρικό εργαλείο όταν είστε κουρασμένος/η ή υπό την επήρεια ναρκωτικών, οινοπνεύματος ή φαρμακευτικής αγωγής.** Μια στιγμή απροεξάλει κατά τη χρήση ηλεκτρικών εργαλείων μπορεί να προκαλέσει σοβαρό τραυματισμό.
- β. Να χρησιμοποιείτε ατομικό εξοπλισμό προστασίας. Πάντα φοράτε προστασία ματιών.** Ο εξοπλισμός προστασίας, όπως μάσκα κατά της σκόνης, αντιολισθητικά παπούτσια ασφαλείας, κράνος ή προστασία ακοής, όταν χρησιμοποιείται για τις κατάλληλες συνθήκες, θα μειώσει τους τραυματισμούς και τις σωματικές βλάβες.
- γ. Αποτρέψτε την ακούσια ενεργοποίηση. Βεβαιωθείτε ότι ο διακόπτης βρίσκεται στη θέση απενεργοποίησης, πριν συνδέσετε το εργαλείο στην πηγή ρεύματος και/ή τοποθετήσετε το πακέτο μπαταριών, καθώς και πριν πάρετε στα χέρια σας ή μεταφέρετε το εργαλείο.** Η μεταφορά ηλεκτρικών εργαλείων με το δάχτυλο πάνω στο διακόπτη ή η σύνδεση στο ρεύμα ηλεκτρικών εργαλείων με το διακόπτη στη θέση ενεργοποίησης, ενέχει κινδύνους ατυχημάτων.
- δ. Πριν θέσετε το ηλεκτρικό εργαλείο σε λειτουργία, αφαιρέστε τυχόν εργαλεία ή κλειδιά ρύθμισης.** Εάν αφήσετε ένα εργαλείο ή κλειδί πάνω σε κάποιο περιστρεφόμενο εξάρτημα του ηλεκτρικού εργαλείου, μπορεί να προκληθούν τραυματισμοί.
- ε. Μην τεντώνετε υπερβολικά. Διατηρείτε πάντα σταθερή στήριξη στα πόδια σας και καλή ισορροπία.** Έτσι μπορείτε να έχετε καλύτερο έλεγχο του ηλεκτρικού εργαλείου σε μη αναμενόμενες καταστάσεις.

- στ. Φοράτε κατάλληλη ενδυμασία εργασίας. Μη φοράτε φαρδιά ρούχα ούτε κοσμήματα. Κρατάτε τα μαλλιά και τα ρούχα σας μακριά από κινούμενα μέρη.** Τα φαρδιά ρούχα, τα κοσμήματα και τα μακριά μαλλιά μπορούν να πιαστούν σε κινούμενα μέρη.
- ζ. Αν παρέχονται διατάξεις για τη σύνδεση συστημάτων απομάκρυνσης και συλλογής της σκόνης, βεβαιωθείτε ότι αυτές είναι συνδεδεμένες και χρησιμοποιούνται σωστά.** Η χρήση διατάξεων συλλογής της σκόνης μπορεί να μειώσει τους κινδύνους που προέρχονται από τη σκόνη.
- η. Μην αφήνετε την εξοικείωση που έχετε αποκτήσει από τη συχνή χρήση εργαλείων να σας επιτρέψει να εφησυχάστε ώστε να αγνοείτε τις αρχές ασφαλούς χρήσης των εργαλείων.** Μια απρόσεκτη ενέργεια μπορεί να προκαλέσει βαρύ τραυματισμό μέσα σε κλάσματα του δευτερολέπτου.
- 4. Χρήση και φροντίδα ηλεκτρικών εργαλείων**
- α. Μην υπερφορτώνετε το ηλεκτρικό εργαλείο. Χρησιμοποιείτε το σωστό ηλεκτρικό εργαλείο για την εφαρμογή σας.** Το σωστό ηλεκτρικό εργαλείο θα εκτελέσει την εργασία καλύτερα και ασφαλέστερα, με την ένταση χρήσης για την οποία σχεδιάστηκε.
- β. Μη χρησιμοποιήσετε το ηλεκτρικό εργαλείο αν ο διακόπτης του δεν μπορεί να το ενεργοποιεί και απενεργοποιεί.** Ένα ηλεκτρικό εργαλείο του οποίου η λειτουργία δεν μπορεί να ελεγχθεί με το διακόπτη είναι επικίνδυνο και πρέπει να επισκευαστεί.
- γ. Αποσυνδέστε το φως από την πηγή ρεύματος και/ή αφαιρέστε το πακέτο μπαταριών από το ηλεκτρικό εργαλείο, πριν πραγματοποιήσετε οποιαδήποτε ρύθμιση, αλλαγή αξεσουάρ ή όταν πρόκειται να αποθηκεύσετε το ηλεκτρικό εργαλείο.** Τέτοια προληπτικά μέτρα ασφαλείας μειώνουν το κίνδυνο αθέλητης εκκίνησης του ηλεκτρικού εργαλείου.
- δ. Να φυλάσσετε μακριά από παιδιά τα ηλεκτρικά εργαλεία που δεν χρησιμοποιείτε. Μην αφήνετε να χρησιμοποιήσουν ηλεκτρικό εργαλείο άτομα που δεν είναι εξοικειωμένα με αυτό ή άτομα που δεν έχουν διαβάσει αυτές τις οδηγίες χρήσης.** Τα ηλεκτρικά εργαλεία είναι επικίνδυνα στα χέρια μη εκπαιδευμένων χρηστών.
- ε. Συντηρείτε τα ηλεκτρικά εργαλεία και τα αξεσουάρ. Ελέγχετε για προβλήματα ευθυγράμμισης ή για μάγκωμα των κινούμενων εξαρτημάτων, θραύση εξαρτημάτων, καθώς και για οποιοδήποτε άλλο πρόβλημα μπορεί να επηρεάσει τη λειτουργία των ηλεκτρικών εργαλείων. Αν το ηλεκτρικό εργαλείο έχει υποστεί ζημιά, φροντίστε να επισκευαστεί πριν το χρησιμοποιήσετε. Η ανεπαρκής συντήρηση των ηλεκτρικών εργαλείων αποτελεί αιτία πολλών ατυχημάτων.**
- στ. Διατηρείτε τα κοπτικά εργαλεία κοφτερά και καθαρά.** Τα κοπτικά εργαλεία με κοφτερές κοπτικές αιχμές που συντηρούνται σωστά έχουν λιγότερες πιθανότητες να μαγκώσουν και ελέγχονται ευκολότερα.
- ζ. Να χρησιμοποιείτε το ηλεκτρικό εργαλείο, τα αξεσουάρ και τις μύτες του εργαλείου κλπ. σύμφωνα με τις παρούσες οδηγίες, λαμβάνοντας υπόψη σας τις συνθήκες εργασίας και την εργασία που θέλετε να εκτελέσετε.** Η χρήση του ηλεκτρικού εργαλείου για εργασίες διαφορετικές από τις προβλεπόμενες θα μπορούσε να οδηγήσει σε επικίνδυνη κατάσταση.
- η. Διατηρείτε τις λαβές και τις επιφάνειες κρατήματος στεγνές, καθαρές και απαλλαγμένες από λάδι και γράσο.** Οι ολισθηρές λαβές και οι λαδωμένες επιφάνειες κρατήματος δεν επιτρέπουν τον ασφαλή χειρισμό και έλεγχο του εργαλείου σε μη αναμενόμενες καταστάσεις.
- 5. Σέρβις**
- α. Αναθέτετε το σέρβις του ηλεκτρικού σας εργαλείου σε εξειδικευμένο τεχνικό επισκευών που χρησιμοποιεί μόνο γνήσια ανταλλακτικά.** Έτσι θα εξασφαλίσετε τη διατήρηση της ασφάλειας του ηλεκτρικού εργαλείου.
- Οδηγίες ασφαλείας για πριόνια πάγκου**
- 1. Προειδοποιήσεις σχετικές με τη χρήση προφυλακτήρων**
- α. Διατηρείτε τους προφυλακτές στη θέση τους. Οι προφυλακτές πρέπει να είναι σε λειτουργική κατάσταση και σωστά στερεωμένοι.** Ένας προφυλακτήρας που έχει λασκάρει, έχει υποστεί ζημιά ή δεν λειτουργεί σωστά, πρέπει να επισκευαστεί ή να αντικατασταθεί.
- β. Πάντα χρησιμοποιείτε τον προφυλακτήρα λεπίδας του πριονιού και το μαχαίρι διαχωρισμού για κάθε εργασία διαμερούς κοπής.** Για εργασίες διαμερούς κοπής όπου η λεπίδα του πριονιού κόβει τελείως όλο το πάχος του αντικείμενου εργασίας, ο προφυλακτήρας και άλλες διατάξεις ασφαλείας βοηθούν να μειωθεί ο κίνδυνος τραυματισμού.
- γ. Επανασυνδέτε άμεσα το σύστημα προφύλαξης μετά την ολοκλήρωση μιας εργασίας (όπως δημιουργίας εσοχής ή κοπής κατά πάχος) για την οποία απαιτείται αφαίρεση του προφυλακτήρα ή του μαχαιριού διαχωρισμού.** Ο προφυλακτήρας και το μαχαίρι διαχωρισμού συντελούν στη μείωση του κινδύνου τραυματισμού.
- δ. Βεβαιωθείτε ότι η λεπίδα πριονιού δεν έρχεται σε επαφή με τον προφυλακτήρα, το μαχαίρι διαχωρισμού ή το αντικείμενο εργασίας, πριν ενεργοποιήσετε το διακόπτη.** Η κατά λάθος επαφή αυτών των εξαρτημάτων με τη λεπίδα πριονιού θα μπορούσε να προκαλέσει μια επικίνδυνη κατάσταση.

- ε. Ρυθμίζετε το μαχαίρι διαχωρισμού όπως περιγράφεται στο εγχειρίδιο οδηγιών.** Η λανθασμένη ρύθμιση αποστάσεων, τοποθέτηση και ευθυγράμμιση μπορεί να κάνουν το μαχαίρι διαχωρισμού αναποτελεσματικό στη μείωση της πιθανότητας ανόδρασης.
- ε. Για να λειτουργήσει το μαχαίρι διαχωρισμού, πρέπει να έχει εισέλθει στο αντικείμενο εργασίας.** Το μαχαίρι διαχωρισμού είναι αναποτελεσματικό όταν κόβετε αντικείμενα εργασίας που είναι πολύ μικρού μήκους και επομένως δεν μπορούν να έρθουν σε επαφή με το μαχαίρι διαχωρισμού. Υπό αυτές τις συνθήκες, το μαχαίρι διαχωρισμού δεν μπορεί να αποτρέψει τυχόν ανάδραση.
- ζ. Χρησιμοποιείτε την κατάλληλη λεπίδα πριονιού για το μαχαίρι διαχωρισμού.** Για τη σωστή λειτουργία του μαχαίριου διαχωρισμού, η διάμετρος της λεπίδας πριονιού πρέπει να αντιστοιχεί στο κατάλληλο μαχαίρι διαχωρισμού, το πάχος του κορμού της λεπίδας πριονιού να είναι μικρότερο από αυτό του μαχαίριου διαχωρισμού και το πλάτος κοπής της λεπίδας πριονιού πρέπει να είναι μεγαλύτερο από το πάχος του μαχαίριου διαχωρισμού.
- 2. Προειδοποιήσεις για τις διαδικασίες κοπής**
- α. ΚΙΝΔΥΝΟΣ: Ποτέ μην τοποθετείτε τα δάκτυλά σας ή τα χέρια σας κοντά στη λεπίδα πριονιού ή στην ίδια ευθεία με αυτήν.** Μια στιγμή απροσεξίας ή ένα γλίστρημα θα μπορούσε να κατευθύνει το χέρι σας προς τη λεπίδα πριονιού και να έχει ως αποτέλεσμα σοβαρό τραυματισμό.
- β. Προωθείτε το αντικείμενο εργασίας μέσα στη λεπίδα πριονιού μόνο αντίθετα με την κατεύθυνση περιστροφής.** Η τροφοδοσία του αντικείμενου εργασίας στην κατεύθυνση περιστροφής της λεπίδας πριονιού πάνω από το τραπέζι μπορεί να έχει ως αποτέλεσμα το αντικείμενο εργασίας, μαζί με το χέρι σας, να τραβηχτούν στη λεπίδα πριονιού.
- γ. Ποτέ μη χρησιμοποιείτε το μετρητή γωνίας φάλτσοκοπής για να προωθείτε το αντικείμενο εργασίας και μη χρησιμοποιείτε τον οδηγό διαμήκου κοπής ως стоп μήκους όταν πραγματοποιείτε εγκάρσια κοπή με το μετρητή γωνίας φάλτσοκοπής.** Η καθοδήγηση του αντικείμενου εργασίας με τον οδηγό διαμήκου κοπής και το μετρητή γωνίας φάλτσοκοπής ταυτόχρονα αυξάνει την πιθανότητα μαγκώματος και ανάδρασης της λεπίδας πριονιού.
- δ. Όταν πραγματοποιείτε διαμήκη κοπή, πάντα εφαρμόζετε τη δύναμη προώθησης του αντικείμενου εργασίας ανάμεσα στον οδηγό και στη λεπίδα πριονιού. Χρησιμοποιείτε μια ράβδο προώθησης όταν η απόσταση ανάμεσα στον οδηγό και στη λεπίδα πριονιού είναι μικρότερη από 150 mm, και χρησιμοποιείτε μπλοκ προώθησης όταν η απόσταση είναι μικρότερη από 50 mm.**
- Διατάξεις "υποβοήθησης της εργασίας" θα διατηρήσουν το χέρι σας σε ασφαλή απόσταση από τη λεπίδα πριονιού.
- ε. Χρησιμοποιείτε μόνο τη ράβδο προώθησης που παρέχεται από τον κατασκευαστή ή που κατασκευάστηκε σύμφωνα με τις οδηγίες.** Αυτή η ράβδος προώθησης παρέχει επαρκή απόσταση του χεριού από τη λεπίδα πριονιού.
- στ. Ποτέ μη χρησιμοποιήσετε ράβδο προώθησης που έχει υποστεί ζημιά ή κοπεί.** Μια ράβδος προώθησης που έχει υποστεί ζημιά μπορεί να σπάσει, κάνοντας το χέρι σας να γλιστρήσει προς τη λεπίδα πριονιού.
- ζ. Μην πραγματοποιείτε οποιαδήποτε εργασία "στο χέρι".** Πάντα χρησιμοποιείτε είτε τον οδηγό διαμήκου κοπής είτε το μετρητή γωνίας φάλτσοκοπής για να ρυθμίζετε τη θέση του αντικείμενου εργασίας και να το καθοδηγείτε. "Στο χέρι" σημαίνει να χρησιμοποιείτε μόνο το χέρι σας για να υποστηρίξετε ή να καθοδηγείτε το αντικείμενο εργασίας, αντί οδηγού διαμήκου κοπής ή μετρητή γωνίας φάλτσοκοπής. Η κοπή "στο χέρι" προκαλεί κακή ευθυγράμμιση, μάγκωμα και ανάδραση.
- η. Ποτέ μην περνάτε μέρος του σώματός σας ή άλλων από μια περιστρεφόμενη λεπίδα πριονιού.** Η προσπάθεια να φθάσετε ένα αντικείμενο εργασίας μπορεί να προκαλέσει αθλήτη επαφή με την κινούμενη λεπίδα πριονιού.
- θ. Παρέχετε βοηθητική υποστήριξη του αντικείμενου εργασίας προς το πίσω μέρος και/ή τις πλευρές του τραπεζιού του πριονιού για μεγάλο μήκος και/ή πλατιά αντικείμενα εργασίας ώστε να τα διατηρείτε επίπεδα.** Ένα μεγάλο και/ή πλατύ αντικείμενο εργασίας έχει την τάση να περιστραφεί στο άκρο του τραπεζιού, προκαλώντας απώλεια ελέγχου, μάγκωμα της λεπίδας πριονιού και ανάδραση.
- ι. Προωθείτε το αντικείμενο εργασίας με σταθερό ρυθμό. Μη λυγίζετε ή συστρέφετε το αντικείμενο εργασίας. Σε περίπτωση σφηνώματος, απενεργοποιήστε άμεσα το εργαλείο, αποσυνδέστε το από την πρίζα και μόνον τότε προσπαθήστε να αντιμετωπίσετε το σφηνώμα.** Το σφηνώμα της λεπίδας πριονιού στο αντικείμενο εργασίας μπορεί να προκαλέσει ανάδραση ή αθλήτη διακοπή λειτουργίας του κινητήρα.
- κ. Μην αφαιρείτε κομμάτια κομμένου υλικού ενώ είναι σε λειτουργία το πριόνι.** Το υλικό μπορεί να παγιδευτεί ανάμεσα στον οδηγό ή μέσα στον προφυλακτήρα λεπίδας του πριονιού και τη λεπίδα πριονιού, με αποτέλεσμα να τραβήξει τα δάκτυλά σας στη λεπίδα του πριονιού. Απενεργοποιήστε το πριόνι και περιμένετε να σταματήσει η λεπίδα του πριονιού πριν αφαιρέσετε υλικό.
- ι. Χρησιμοποιήστε ένα βοηθητικό οδηγό σε επαφή με την πάνω επιφάνεια του τραπεζιού όταν πραγματοποιείτε διαμήκη κοπή σε αντικείμενα εργασίας πάχους μικρότερου των 2 mm.**

Ένα λεπτό αντικείμενο εργασίας μπορεί να σφηνωθεί κάτω από τον οδηγό διαμήκου κοπής και να προκαλέσει ανάδραση.

3. Απίες ανάδρασης και σχετικές προειδοποιήσεις

Η ανάδραση είναι ξαφνική αντίδραση του αντικειμένου εργασίας σε περίπτωση που η λεπίδα πριονιού σφηνώσει ή μπλοκάρει, ή σε περίπτωση κακής ευθυγράμμισης της γραμμής κοπής στο αντικείμενο εργασίας ως προς τη λεπίδα πριονιού, ή αν μέρος του αντικειμένου εργασίας μαγκώσει ανάμεσα στη λεπίδα πριονιού και στον οδηγό διαμήκου κοπής ή άλλο σταθερό αντικείμενο.

Τις περισσότερες φορές κατά την ανάδραση, το πίσω τμήμα της λεπίδας πριονιού ανυψώνει το αντικείμενο εργασίας από το τραπέζι και το κινεί προς το χειριστή.

Η ανάδραση είναι το αποτέλεσμα κακής χρήσης του πριονιού και/ή λανθασμένων διαδικασιών ή συνθηκών χειρισμού και μπορεί να αποφευχθεί με τη λήψη κατάλληλων μέτρων προφύλαξης, όπως αναφέρεται πιο κάτω.

α. Ποτέ μη στέκεστε σε ευθεία με τη λεπίδα πριονιού.

Πάντα τοποθετείτε το σώμα σας στην ίδια πλευρά της λεπίδας πριονιού με τον οδηγό.

Η ανάδραση μπορεί να κινήσει το αντικείμενο εργασίας με υψηλή ταχύτητα προς οποιοδήποτε βρίσκεται μπροστά από τη λεπίδα πριονιού και στην ίδια ευθεία με αυτή.

β. Ποτέ μην περνάτε μέρη του σώματός σας πάνω ή πίσω από τη λεπίδα πριονιού για να τραβήξετε ή να υποστηρίξετε το αντικείμενο εργασίας. Μπορεί να προκληθεί κατά λάθος επαφή με τη λεπίδα πριονιού αν η ανάδραση τραβήξει τα δάκτυλά σας προς τη λεπίδα πριονιού.

γ. Ποτέ μην κρατάτε και πιέζετε το μέρος του αντικειμένου εργασίας που κόβεται προς τη λεπίδα πριονιού. Αν το μέρος του αντικειμένου εργασίας που κόβεται πιεστεί προς τη λεπίδα πριονιού, θα δημιουργηθούν συνθήκες μαγκώματος και ανάδρασης.

δ. Ευθυγραμμίζετε τον οδηγό ώστε να είναι παράλληλος με τη λεπίδα πριονιού. Ένας οδηγός που δεν είναι σωστά ευθυγραμμισμένος θα συμπίσει το αντικείμενο εργασίας προς τη λεπίδα πριονιού και θα δημιουργήσει ανάδραση.

ε. Να είστε ιδιαίτερα προσεκτικοί όταν πραγματοποιείτε μια κοπή σε τυφλές περιοχές συναρμολογημένων αντικειμένων εργασίας. Η λεπίδα που προεξέχει μπορεί να κόψει αντικείμενα που μπορούν να προκαλέσουν ανάδραση.

στ. Υποστηρίξετε μεγάλα φύλλα υλικού για να ελαχιστοποιήσετε τον κίνδυνο να σφηνώσει η λεπίδα πριονιού και να προκληθεί ανάδραση. Τα μεγάλα φύλλα υλικού έχουν την τάση να κάμπτονται από το ίδιο τους το βάρος.

Το υποστηρίγματα (ή το υποστήριγμα) πρέπει να τοποθετούνται κάτω από όλα τα τμήματα του φύλλου που προεξέχουν από το τραπέζι.

ζ. Να προσέχετε ιδιαίτερα όταν κόβετε ένα αντικείμενο εργασίας που έχει συστραφεί, περιέχει ρόζους, έχει παραμορφωθεί ή δεν έχει ευθεία πλευρά ώστε να μπορεί να καθοδηγηθεί με ένα μετρητή γωνίας φάλτσοκοπής ή κατά μήκος του οδηγού. Ένα αντικείμενο εργασίας που έχει παραμορφωθεί, περιέχει ρόζους ή έχει συστραφεί είναι ασταθές και προκαλεί πρόβλημα ευθυγράμμισης της εντομής κοπής με τη λεπίδα πριονιού, μάγκωμα και ανάδραση.

η. Ποτέ μην κόβετε περισσότερα από ένα αντικείμενο εργασίας που τα έχете στοιβάξει στην κατακόρυφη ή οριζόντια διεύθυνση. Η λεπίδα πριονιού θα μπορούσε να σκαλώσει σε ένα ή περισσότερα τεμάχια και να προκληθεί ανάδραση.

θ. Όταν επανεκκινάτε τη λειτουργία του πριονιού με τη λεπίδα πριονιού μέσα στο αντικείμενο εργασίας, κεντράρετε τη λεπίδα πριονιού στην εντομή έτσι ώστε τα δόντια του πριονιού να μην είναι σε επαφή με το υλικό. Αν μαγκώσει η λεπίδα πριονιού, μπορεί να ανυψώσει το αντικείμενο εργασίας και να προκαλέσει ανάδραση καθώς επανεκκινάτε το πριόνι.

θ. Διατηρείτε τις λεπίδες πριονιού καθαρές, αιχμηρές και με επαρκές άνοιγμα δοντιών. Ποτέ μη χρησιμοποιείτε παραμορφωμένες λεπίδες πριονιού ή λεπίδες πριονιού με ραγισμένα ή σπασμένα δόντια. Οι αιχμηρές λεπίδες πριονιού με σωστά ρυθμισμένο άνοιγμα δοντιών ελαχιστοποιούν το μάγκωμα, την ακινητοποίηση του μοτέρ και την ανάδραση.

4. Προειδοποιήσεις για τη διαδικασία λειτουργίας πριονιών πάγκου

α. Απενεργοποιείτε το πριόνι πάγκου και αποσυνδέετε το καλώδιο ρεύματος όταν αφαιρείτε το ένθετο τραπέζιου, αλλάζετε τη λεπίδα πριονιού ή πραγματοποιείτε ρυθμίσεις στο μαχαίρι διαχωρισμού ή στον προφυλακτήρα της λεπίδας, και όταν αφήνετε το μηχάνημα χωρίς επιτήρηση. Με τα μέτρα προφύλαξης μπορείτε να αποφύγετε ατυχήματα.

β. Ποτέ μην αφήνετε το πριόνι πάγκου να λειτουργεί χωρίς επιτήρηση. Απενεργοποιήστε το και μην απομακρυνθείτε, έως ότου σταματήσει τελείως να κινείται. Ένα πριόνι που λειτουργεί χωρίς επιτήρηση αποτελεί ανεξέλεγκτο κίνδυνο.

γ. Τοποθετήστε το πριόνι πάγκου σε καλά φωτισμένη και οριζόντια περιοχή όπου μπορείτε να διατηρήσετε καλή στήριξη στα πόδια σας και ευστάθεια. Θα πρέπει να εγκατασταθεί σε περιοχή που παρέχει επαρκή χώρο για εύκολο χειρισμό για το μέγεθος του αντικειμένου εργασίας σας.

Οι περιορισμένες, ανεπαρκώς φωτισμένες περιοχές εργασίας και τα ανομοιόμορφα ολισθηρά δάπεδα γίνονται αιτίες ατυχημάτων.

- δ. **Καθαρίζετε συχνά και αφαιρείτε τα πριονίδια από κάτω από το τραπέζι του πριονιού και/ή από τη διάταξη συλλογής σκόνης.** Τα συσσωρευμένα πριονίδια είναι υλικό που τροφοδοτεί μια φωτιά και μπορεί να αυταναφλεγεί.
- ε. **Το πριόνι πάγκου που δεν είναι σωστά στερεωμένο μπορεί να μετακινηθεί ή να ανατραπεί.**
- στ. **Αφαιρείτε εργαλεία, κομμάτια άχρηστου ξύλου κλπ. από το τραπέζι πριν ενεργοποιήσετε το πριόνι πάγκου.** Η απόσπαση της προσοχής ή ενδεχόμενη ενσφήνωση μπορεί να είναι επικίνδυνη.
- ζ. **Πάντα χρησιμοποιείτε λεπίδες πριονιού με σωστό μέγεθος και σχήμα όπών άξονα (κατάλληλο σχήματος, διαμαντιού ή κύκλου).** Οι λεπίδες πριονιού που δεν ταιριάζουν με τα υλικά στερέωσης στο πριόνι θα κινούνται εκτός κέντρου, προκαλώντας απώλεια ελέγχου.
- η. **Ποτέ μη χρησιμοποιείτε μέσα στερέωσης της λεπίδας πριονιού, όπως φλάντζες, ροδέλες λεπίδας πριονιού, μπουλόνια ή παξιμάδια, που έχουν υποστεί ζημιά ή δεν είναι τα σωστά.** Αυτά τα μέσα στερέωσης σχεδιάστηκαν ειδικά για το πριόνι σας, για ασφαλή λειτουργία και βέλτιστη απόδοση.
- θ. **Ποτέ μην πατάτε πάνω στο πριόνι πάγκου, ούτε να το χρησιμοποιείτε σαν σκαλοπάτι.** Θα μπορούσε να προκύψει σοβαρός τραυματισμός αν το εργαλείο ανατραπεί ή αν κατά λάθος έρθετε σε επαφή με το εξάρτημα κοπής.
- ι. **Βεβαιωθείτε ότι η λεπίδα πριονιού έχει εγκατασταθεί ώστε να περιστρέφεται στη σωστή κατεύθυνση. Μη χρησιμοποιείτε τροχούς τροχίσματος, συρματόβουρτσες ή τροχούς λείανσης σε ένα πριόνι πάγκου.** Η ακατάλληλη εγκατάσταση λεπίδας πριονιού ή η χρήση αξεσουάρ που δεν συνιστώνται μπορεί να προκαλέσει σοβαρό τραυματισμό.

Πρόσθετες οδηγίες ασφαλείας για πριόνια πάγκου

- ◆ Η προβλεπόμενη χρήση περιγράφεται στο παρόν εγχειρίδιο οδηγιών. Η χρήση οποιοδήποτε αξεσουάρ ή προσαρτήματος ή η εκτέλεση οποιασδήποτε εργασίας με αυτό το εργαλείο διαφορετικής από αυτές που συστήνονται στο παρόν εγχειρίδιο οδηγιών, ενδέχεται να εγκυμονεί κίνδυνο τραυματισμού και/ή ζημιάς σε ιδιοκτησία.
- ◆ Μη χρησιμοποιείτε λεπίδες πριονιού που παρουσιάζουν ρωγμές, ζημιές ή παραμορφώσεις.
- ◆ Μη χρησιμοποιείτε λεπίδες μεγαλύτερης ή μικρότερης διαμέτρου από τη συνιστώμενη. Για τη σωστή διαβάθμιση της λεπίδας ανατρέξτε στα τεχνικά χαρακτηριστικά.



Προειδοποίηση! Η επαφή με τα διάφορα είδη σκόνης που δημιουργούν οι εφαρμογές κοπής με πριόνι ή η εισπνοή της σκόνης αυτής μπορεί να ενέχει κίνδυνο για την υγεία του χειριστή και των ατόμων που ενδεχομένως παρευρίσκονται. Φορέστε μάσκα σκόνης ειδικά σχεδιασμένη για προστασία από τη σκόνη και τις αναθυμιάσεις και βεβαιωθείτε ότι τα άτομα που βρίσκονται ή εισέρχονται στο χώρο εργασίας είναι επίσης προστατευμένα.

- ◆ Μην εργάζεστε με υλικά τα οποία περιέχουν αμιάντο. Ο αμιάντος θεωρείται καρκινογόνος.
- ◆ Φοράτε γάντια όταν χειρίζεστε λεπίδες πριονιού και τραχιά υλικά (οι λεπίδες πρέπει να μεταφέρονται σε θήκη όποτε είναι δυνατό).
- ◆ Φοράτε προστασία ακοής για να μειώσετε τον κίνδυνο πρόκλησης βλάβης της ακοής.
- ◆ Εξετάστε το ενδεχόμενο χρήσης λεπίδων ειδικά σχεδιασμένων για μείωση του θορύβου.
- ◆ Φοράτε προστατευτικά ματιών για να μειώσετε τον κίνδυνο σωματικής βλάβης.
- ◆ Χρησιμοποιείτε την παρεχόμενη σακούλα συλλογής σκόνης όταν κόβετε ξύλο.
- ◆ Επιλέξτε τη σωστή λεπίδα για το υλικό που πρόκειται να κόψετε.
- ◆ Μη χρησιμοποιήσετε το μηχάνημα, αν ο προφυλακτήρας δεν βρίσκεται στη θέση του. Μη χρησιμοποιήσετε το μηχάνημα, αν ο προφυλακτήρας δεν λειτουργεί σωστά ή αν δεν έχει συντηρηθεί σωστά.
- ◆ Πριν από κάθε κοπή, βεβαιωθείτε ότι το μηχάνημα είναι σταθερό.
- ◆ Διατηρείτε τις λαβές στεγνές, καθαρές, χωρίς λάδι και γράσο.
- ◆ Διατηρήστε το χώρο που περιβάλλει το μηχάνημα σε καλή κατάσταση και ελεύθερο από υλικά όπως πριονίδια και υπολείμματα κοπής.
- ◆ Εξασφαλίστε ότι το μηχάνημα και ο χώρος εργασίας διαθέτουν επαρκή γενικό και τοπικό φωτισμό.
- ◆ Μην επιτρέπετε σε άτομα χωρίς κατάλληλη εκπαίδευση να χρησιμοποιούν το μηχάνημα.
- ◆ Βεβαιωθείτε ότι η λεπίδα έχει τοποθετηθεί σωστά, πριν τη χρησιμοποιήσετε. Βεβαιωθείτε ότι η λεπίδα περιστρέφεται στη σωστή κατεύθυνση. Διατηρείτε τη λεπίδα κοφτερή. Ακολουθήστε τις οδηγίες σε ό, τι αφορά τη λίπανση και την αλλαγή των εξαρτημάτων.
- ◆ Βεβαιωθείτε ότι η ταχύτητα που αναφέρεται πάνω στη λεπίδα πριονιού είναι τουλάχιστον ίση με την ταχύτητα που αναφέρεται πάνω στο πριόνι.
- ◆ Πάντα αποσυνδέετε το μηχάνημα από την πρίζα πριν εκτελέσετε οποιαδήποτε εργασία συντήρησης ή όταν αλλάζετε τη λεπίδα.

- ◆ Ποτέ μην πραγματοποιείτε οποιαδήποτε εργασία καθαρισμού, συντήρησης, αφαίρεσης υπολειμμάτων κοπής ή άλλων τμημάτων του αντικειμένου που επεξεργάζεστε από την περιοχή κοπής, όταν το μηχάνημα είναι σε λειτουργία και η κεφαλή κοπής δεν βρίσκεται στη θέση ηρεμίας.
- ◆ Βεβαιωθείτε ότι όλα τα μπουτόν και οι λαβές ασφάλισης έχουν σφικτεί, πριν ξεκινήσετε οποιαδήποτε εργασία.
- ◆ Ποτέ μην αποπειραθείτε να σταματήσετε απότομα ένα μηχάνημα που είναι σε κίνηση παρεμβάλλοντας ένα εργαλείο ή άλλο μέσο στη λεπίδα. Μ' αυτόν τον τρόπο, μπορούν αθέλητα να προκληθούν σοβαρά ατυχήματα.
- ◆ Πριν χρησιμοποιήσετε ή τοποθετήσετε οποιοδήποτε αξεσουάρ συμβουλευτείτε το εγχειρίδιο οδηγιών. Η ακατάλληλη χρήση ενός αξεσουάρ μπορεί να προκαλέσει ζημιά.
- ◆ Ποτέ μην καθιστάτε τα προειδοποιητικά σήματα στο ηλεκτρικό εργαλείο μη αναγνωρίσιμα.
- ◆ Ποτέ μην πατάτε πάνω στο ηλεκτρικό εργαλείο. Μπορεί να προκληθούν σοβαροί τραυματισμοί, σε περίπτωση ανατροπής του ηλεκτρικού εργαλείου ή σε περίπτωση επαφής με τη λεπίδα πριονιού.
- ◆ Μην αγγίξετε τη λεπίδα πριονιού μετά την εργασία, πριν αυτή κρυώσει. Η λεπίδα πριονιού θερμαίνεται πολύ κατά την εργασία.
- ◆ Για την αποφυγή τραυματισμών από υλικά που εκσφενδονίζονται, αποσυνδέστε το πριόνι από την πρίζα για την αποφυγή ακούσιας ενεργοποίησης και στη συνέχεια αφαιρέστε τα μικρά υλικά.
- ◆ Βεβαιωθείτε ότι το μαχαίρι διαχωρισμού έχει ρυθμιστεί στη σωστή απόσταση από τη λεπίδα.

Προειδοποίηση! Πάντα να ελέγχετε ότι το μαχαίρι διαχωρισμού είναι ασφαλισμένο στη θέση του και ευθυγραμμισμένο με τη λεπίδα πριν από κάθε χρήση και μετά από οποιαδήποτε συντήρηση.

- ◆ Πριν από τη χρήση και μετά από οποιαδήποτε συντήρηση, ο προφυλακτήρας της λεπίδας πρέπει να ελεγχθεί για να εξασφαλιστεί η σωστή λειτουργία του. Αυτός ο έλεγχος πρέπει να πραγματοποιηθεί με το πριόνι απενεργοποιημένο και αποσυνδεδεμένο από την πρίζα. Αν ο προφυλακτήρας δεν λειτουργεί σωστά, αναθέστε το σέρβις του ηλεκτρικού σας εργαλείου σε ειδικευμένο τεχνικό επισκευών. Καλέστε την Εξυπηρέτηση Πελατών της BLACK+DECKER για το πλησιέστερο εξουσιοδοτημένο κέντρο σέρβις.
- ◆ **Αυτό το πριόνι πάγκου είναι σχεδιασμένο για την κοπή μόνο ξύλου, πλαστικών και μη σιδηρούχων μετάλλων.** Μη χρησιμοποιείτε το πριόνι για να κόβετε άλλα υλικά από αυτά που συνιστά ο κατασκευαστής.
- ◆ Μην αγγίξετε τη λεπίδα πριονιού μετά την εργασία, πριν αυτή κρυώσει. Η λεπίδα πριονιού θερμαίνεται πολύ κατά την εργασία.



Προειδοποίηση! Η κοπή πλαστικών, ξύλου που καλύπτεται από φυτικό χυμό και άλλων υλικών, μπορεί να προκαλέσει τη συσσώρευση λιωμένου υλικού στις μύτες και στον κορμό της λεπίδας πριονιού, αυξάνοντας τον κίνδυνο υπερθέρμανσης και μαγκώματος της λεπίδας κατά τη διάρκεια της κοπής.

Υπολειπόμενοι κίνδυνοι

Οι κίνδυνοι που ακολουθούν είναι εγγενείς στη χρήση πριονιών:

Παρά την εφαρμογή των σχετικών κανονισμών ασφαλείας και τη χρήση διατάξεων ασφαλείας, ορισμένοι υπολειπόμενοι κίνδυνοι δεν είναι δυνατόν να αποφευχθούν. Σε αυτούς περιλαμβάνονται:

- ◆ Τραυματισμοί από την επαφή με οποιαδήποτε περιστρεφόμενα/κινούμενα μέρη.
- ◆ Βλάβη της ακοής.
- ◆ Κίνδυνος ατυχημάτων από τα μη καλυπτόμενα μέρη της περιστρεφόμενης λεπίδας πριονιού.
- ◆ Κίνδυνος τραυματισμού κατά την αλλαγή εξαρτήματος, λεπίδας ή αξεσουάρ.
- ◆ Κίνδυνος σύνθλιψης των δακτύλων κατά το άνοιγμα των προφυλακτήρων.
- ◆ Κίνδυνοι στην υγεία που προκαλούνται από την εισπνοή σκόνης που παράγεται κατά το πριόνισμα του ξύλου, ειδικά της δρυός, της οξιάς και του MDF.
- ◆ Τραυματισμοί από παρατεταμένη χρήση εργαλείου. Όταν χρησιμοποιείτε οποιοδήποτε εργαλείο για παρατεταμένα χρονικά διαστήματα, μην παραλείπετε με κανένα τρόπο να κάνετε τακτικά διαλείμματα.

Θόρυβος

Οι δηλωμένες τιμές εκπομπής κραδασμών έχουν μετρηθεί σύμφωνα με τυποποιημένη μέθοδο δοκιμής και μπορούν να χρησιμοποιηθούν για τη σύγκριση ενός εργαλείου με ένα άλλο.

Οι δηλωμένες τιμές εκπομπής κραδασμών έχουν μετρηθεί επίσης να χρησιμοποιηθούν σε έναν προκαταρκτικό προσδιορισμό της έκθεσης σε κραδασμούς.

Προειδοποίηση! Στην πράξη, οι τιμές εκπομπής κραδασμών κατά την χρήση του ηλεκτρικού εργαλείου μπορεί να διαφέρουν από τις τιμές που δηλώθηκαν, ανάλογα με τον τρόπο που χρησιμοποιείται το εργαλείο και ειδικά με το είδος του αντικειμένου που επεξεργάζεστε.

Προειδοποίηση! Πάντα φοράτε κατάλληλη ατομική προστασία ακοής. Υπό ορισμένες συνθήκες και διάρκεια χρήσης, ο θόρυβος από το προϊόν μπορεί να συμβάλει σε απώλεια ακοής. Λαμβάνετε υπόψη σας τους εξής παράγοντες που επηρεάζουν την έκθεση στο θόρυβο:

- ◆ Χρησιμοποιείτε λεπίδες πριονιού σχεδιασμένες να μειώνουν τον εκπεμπόμενο θόρυβο,

- ◆ Χρησιμοποιείτε μόνο καλά τροχισμένες λεπίδες πριονιού και
- ◆ Χρησιμοποιείτε ειδικά σχεδιασμένες λεπίδες πριονιού μειωμένου θορύβου.

Ετικέτες πάνω στο εργαλείο

Τα εικονογράμματα που ακολουθούν μαζί με τον κωδικό ημερομηνίας εμφανίζονται πάνω στο εργαλείο:



Προειδοποίηση! Για να μειωθεί ο κίνδυνος τραυματισμού, ο χρήστης πρέπει να διαβάσει το εγχειρίδιο οδηγιών.



Φοράτε προστατευτικά γυαλιά ασφαλείας



Φοράτε προστασία αναπνοής



Φοράτε μάσκα προστασίας από σκόνη



Αυτό το προϊόν δεν πρέπει να χρησιμοποιείται από παιδιά κάτω των 16 ετών



Κρατάτε τα χέρια μακριά από τη λεπίδα



Φοράτε γάντια κατά το χειρισμό λεπίδων πριονιού



Μην εκθέτετε τη συσκευή σε βροχή ή υψηλά επίπεδα υγρασίας.



Αποσυνδέστε το φις ρευματοληψίας αν το καλώδιο υποστεί ζημιά ή μπερδευτεί.



Προσοχή! Διαβάστε το εγχειρίδιο οδηγιών για τη σωστή διαδικασία ρύθμισης και ασφάλισης για τον προφυλακτήρα και το μαχαίρι διαχωρισμού.

Ασφαλής χρήση ηλεκτρικού ρεύματος



Αυτό το εργαλείο φέρει διπλή μόνωση. Επομένως, δεν απαιτείται καλώδιο γείωσης. Πάντα ελέγχετε ότι η παροχή ρεύματος αντιστοιχεί στην τάση που αναφέρεται στην πινακίδα στοιχείων.

- ◆ Αν το καλώδιο ρεύματος έχει υποστεί φθορά, πρέπει να αντικατασταθεί από τον κατασκευαστή ή από ένα εξουσιοδοτημένο κέντρο σέρβις της Stanley FatMax, ώστε να μην αποτελέσει κίνδυνο.

Πτώσεις τάσης

Τα ρεύματα εκκίνησης προκαλούν σύντομες πτώσεις τάσης. Υπό μη ευνοϊκές συνθήκες τροφοδοσίας, μπορεί να επηρεαστεί άλλος εξοπλισμός. Εάν η σύνθετη αντίσταση της τροφοδοσίας είναι χαμηλότερη από 0,361 Ω, είναι απίθανο να παρουσιαστούν διαταραχές.

Χρήση καλωδίου επέκτασης

Πάντα χρησιμοποιείτε εγκεκριμένο καλώδιο επέκτασης, κατάλληλο για την ισχύ εισόδου αυτού του εργαλείου (δείτε τεχνικά χαρακτηριστικά). Πριν από τη χρήση, ελέγξτε προσεκτικά το καλώδιο επέκτασης για σημάδια ζημιάς, φθοράς ή παλαιώσης. Αντικαταστήστε το καλώδιο επέκτασης αν παρουσιάζει ζημιά ή βλάβη. Όταν χρησιμοποιείτε καλώδιο σε καρούλι, πάντα ξετυλίγετε τελείως το καλώδιο. Η χρήση καλωδίου επέκτασης ακατάλληλου για την ισχύ εισόδου του εργαλείου ή καλωδίου που έχει υποστεί ζημιά ή βλάβη μπορεί να προκαλέσει κίνδυνο πυρκαγιάς και ηλεκτροπληξίας.

Χαρακτηριστικά

Στο εργαλείο αυτό διατίθενται ορισμένα ή όλα τα παρακάτω χαρακτηριστικά.

1. Τραπέζι πριονιού
2. Προφυλακτήρας λεπίδας
- 2a. Υποδοχή αποθήκευσης προφυλακτήρα λεπίδας
3. Μαχαίρι διαχωρισμού
4. Λεπίδα πριονιού
- 4a. Υποδοχή αποθήκευσης λεπίδας πριονιού
5. Οδηγός διαμήκους κοπής
- 5a. Υποδοχή αποθήκευσης οδηγού διαμήκους κοπής
6. Μετρητής γωνίας φαλτσοκοπής
- 6a. Υποδοχή φύλαξης μετρητή φαλτσοκοπής
7. Σακούλα συλλογής σκόνης
8. Διακόπτης ενεργοποίησης/ απενεργοποίησης (On/Off)
9. Στήριγμα με πόδια
10. Κουμπί ασφάλισης ρύθμισης γωνίας λοξής κοπής
11. Λαβή ανύψωσης λεπίδας
12. Κουμπί ασφάλισης στηρίγματος με πόδια
13. Τροχός κλίσης λεπίδας
14. Λαβή ασφάλισης για τραπέζι επέκτασης
15. Λαβή ασφάλισης για οδηγό διαμήκους κοπής
16. Τραπέζι επέκτασης

17. Κλειδί Χ2
18. Ράγα καθοδήγησης
19. Ράβδος προώθησης
20. Ένθετο τραπεζιού
21. Προστασία από υπερφόρτωση
22. Ρυθμιστής επιπέδου στηρίγματος με πόδια
23. Καλωδίο ρεύματος
24. Προεξοχές τύλιξης καλωδίου ρεύματος

Συναρμολόγηση

- ◆ Ανοίξτε το κουτί και ανυψώστε το πριόνι από το κουτί.
- ◆ Τοποθετήστε το πριόνι πάνω σε μια επίπεδη, οριζόντια επιφάνεια όπως σε έναν πάγκο εργασίας ή ένα ανθεκτικό τραπέζι.
- ◆ Το μηχανήμα παραδίδεται με τη λεπίδα πριονιού (4) ρυθμισμένη σε 45 μοίρες. Επαναφέρετε στις 0 μοίρες ακολουθώντας τις οδηγίες Ρύθμιση της γωνίας λεπίδας, παρακάτω

Συναρμολόγηση στηρίγματος με πόδια (Εικ. Α, Β & C)

Σημείωση: Τα στηρίγματα με πόδια έχουν σχεδιαστεί με τέτοιο τρόπο ώστε να μπορούν να συναρμολογηθούν με έναν μόνο τρόπο. Βεβαιωθείτε ότι τα πόδια έχουν πάντα κλίση προς τα έξω όπως δείχνει η πρώτη σελίδα και το σχέδιο του συκροτήματος στη σελίδα 2.

- ◆ Ξεβιδώστε και αφαιρέστε τα τέσσερα κουμπιά ασφάλισης στηρίγματος με πόδια (12) όπως δείχνει η εικόνα Α.
- ◆ Τοποθετείτε το πριόνι πάγκου ανάποδα σε μια σταθερή επιφάνεια και εισάγετε τα στηρίγματα με πόδια (9) όπως δείχνει η εικόνα Β.
- Βεβαιωθείτε ότι ο προσανατολισμός είναι σωστός.
- ◆ Αντικαταστήστε τα κουμπιά ασφάλισης στηρίγματος με πόδια (12) βεβαιώνοντας ότι περνάνε μέσα από τις οπές στα στηρίγματα με πόδια (9) και σφίξτε καλά όπως δείχνει η εικόνα Β.
- ◆ Το πριόνι πάγκου συνοδεύεται με ένα ρυθμιστή οριζοντιότητας στηρίγματος με πόδια (22), ο οποίος μπορεί να ρυθμιστεί για αντιστάθμιση ανώμαλου δαπέδου όπως δείχνει η εικόνα C.

Εγκατάσταση μαχαιριού διαχωρισμού (Εικ. D, E & F)

Προειδοποίηση! Το μαχαιρί διαχωρισμού (3) θα πρέπει να παραδίδεται στη σωστή θέση για διαμπερή κοπή. Ωστόσο, πριν την πρώτη χρήση και πριν τη σύνδεση του μηχανήματος στην παροχή ρεύματος, βεβαιωθείτε ότι το μαχαιρί διαχωρισμού είναι ασφαλές, ευθυγραμμισμένο με τη λεπίδα και στη σωστή απόσταση από τη λεπίδα - βλ. εικ. F. Εργάζεστε με το μηχανήμα μόνο αν το μαχαιρί διαχωρισμού (3) είναι στην πάνω θέση εκτός αν το πριόνι χρησιμοποιείται για εργασίες διαμήκους κοπής.

Ο ΠΡΟΦΥΛΑΚΤΗΡΑΣ ΠΡΕΠΕΙ ΝΑ ΑΦΑΙΡΕΙΤΑΙ ΓΙΑ ΕΡΓΑΣΙΕΣ ΔΙΑΜΗΚΟΥΣ ΚΟΠΗΣ. ΑΝΥΨΩΝΕΤΕ ΑΜΕΣΑ ΤΟ ΜΑΧΑΙΡΙ ΔΙΑΧΩΡΙΣΜΟΥ ΚΑΙ ΕΠΑΝΑΤΟΠΟΘΕΤΕΙΤΕ ΤΟΝ ΠΡΟΦΥΛΑΚΤΗΡΑ ΜΕΤΑ ΤΗΝ ΟΛΟΚΛΗΡΩΣΗ ΟΠΟΙΑΣΔΗΠΟΤΕ ΕΡΓΑΣΙΑΣ ΑΠΑΙΤΕΙ ΑΦΑΙΡΕΣΗ ΤΟΥ ΠΡΟΦΥΛΑΚΤΗΡΑ Ή ΧΑΜΗΛΩΜΑ ΤΟΥ ΜΑΧΑΙΡΙΟΥ ΔΙΑΧΩΡΙΣΜΟΥ. Τοποθέτηση του μαχαιριού διαχωρισμού (3) στην ανώτερη θέση

ως εξής:

- ◆ Αφαιρέστε τη βίδα ασφάλισης (20a) από το ένθετο τραπεζιού (20) και ανυψώστε το ένθετο τραπεζιού μακριά από το πριόνι όπως δείχνει η εικόνα D.
- ◆ Ανυψώστε το συγκρότημα λαβής λεπίδας και μαχαιριού διαχωρισμού περιστρέφοντας τη λαβή ανύψωσης της λεπίδας (11) δεξιόστροφα, όπως απεικονίζεται στην εικόνα E.
- ◆ Λασκάρετε τη λαβή ασφάλισης (3a) και τραβήξτε το μαχαιρί διαχωρισμού (3) στην πάνω θέση, όπως δείχνει η εικόνα F.
- ◆ Θέστε τη λαβή ασφάλισης (3a) στην ασφαλισμένη θέση.

Προειδοποίηση! Αν η λαβή ασφάλισης (3a) δεν μπορεί να τοποθετηθεί στην ασφαλισμένη θέση κάτω τεταρτημορίου (Εικ. F) το μαχαιρί διαχωρισμού ενδέχεται να μην είναι τοποθετημένο σωστά.

Διορθώστε τη θέση του μαχαιριού διαχωρισμού και ρυθμίστε πάλι τη λαβή ασφάλισης στη θέση κάτω τεταρτημορίου.

Προειδοποίηση! Η λαβή ασφάλισης (3A) πρέπει να είναι στο κάτω τεταρτημοριο, κάτω από την οριζόντια θέση - Βλ. Εικ. F, για να είναι πλήρως ασφαλισμένη. Αυτό ελέγχετε το προσεκτικά.

Συγκρότημα προφυλακτήρα λεπίδας (Εικ. G)

Προειδοποίηση! Το μαχαιρί διαχωρισμού πρέπει να ασφαλιζεται στην πάνω θέση πριν την τοποθέτηση του προφυλακτήρα.

Ο προφυλακτήρας δεν πρέπει να τοποθετείται όταν το μαχαιρί διαχωρισμού είναι τοποθετημένο και ασφαλισμένο στην κάτω θέση.

- ◆ Ο προφυλακτήρας λεπίδας (2) διαθέτει έναν πείρο ασφάλισης με φόρτιση ελατηρίου (2c) για τοποθέτηση και ασφάλιση του προφυλακτήρα στο μαχαιρί διαχωρισμού (3). Ο προφυλακτήρας πρέπει να είναι τοποθετημένος όταν πραγματοποιείτε διαμπερές κοπές, για μείωση του κινδύνου τραυματισμού.
- ◆ Ανυψώστε το συγκρότημα λαβής λεπίδας και μαχαιριού διαχωρισμού περιστρέφοντας τη λαβή ανύψωσης της λεπίδας (11) αριστερόστροφα όπως απεικονίζεται στην εικόνα E.
- ◆ Τοποθετήστε την μπάρα στο πίσω μέρος του προφυλακτήρα (2b) προς τα κάτω και προς το πίσω μέρος της θέσης του μαχαιριού διαχωρισμού (3b).

- ◆ Πιέστε τον πείρο ασφάλισης (2c) και χαμηλώστε τον προφυλακτήρα για να τον ευθυγραμμίσετε με την μπροστινή θέση (3c) του μαχαιριού διαχωρισμού
- ◆ Ελευθερώστε τον πείρο ασφάλισης και επιβεβαιώστε ότι ο προφυλακτήρας είναι στερεωμένος πάνω στο μαχαίρι διαχωρισμού.
- ◆ Ο χειριστής πρέπει να μπορεί να αφαιρέσει τον προφυλακτήρα από το μαχαίρι διαχωρισμού μόνο πιέζοντας τον πείρο ασφάλισης (2c) και κατόπιν ανυψώνοντας τον προφυλακτήρα προς τα πάνω.
- ◆ Τραβήξτε απαλά τον προφυλακτήρα προς τα πάνω από το μαχαίρι διαχωρισμού για να διασφαλίσετε ότι έχει τοποθετηθεί πλήρως.

Διαχείριση σκόνης

- ◆ Το πριόνι σας συνοδεύεται από μια σακούλα συλλογής σκόνης (7) η οποία θα πρέπει να συνδέεται στο στόμιο σκόνης στο πίσω μέρος της μονάδας (όπως φαίνεται στη σελίδα 3) αν δεν χρησιμοποιείται ηλεκτρική συσκευή αναρρόφησης.
- ◆ Αν θέλετε να χρησιμοποιήσετε μια ηλεκτρική συσκευή αναρρόφησης, τόσο το στόμιο προφυλακτήρα όσο και το πίσω στόμιο είναι κατάλληλα για ακροφύσια 35 mm. Η ηλεκτρική συσκευή αναρρόφησης πρέπει να είναι κατάλληλη για το υλικό το οποίο υψίσταται επεξεργασία.
 - ◆ Όταν αναρροφάτε με ηλεκτρική συσκευή αναρρόφησης σκόνη που είναι ιδιαίτερα επιβλαβής για την υγεία ή καρκινογόνος, χρησιμοποιήστε ειδική συσκευή αναρρόφησης για κατηγορία σκόνης M.
 - ◆ Βεβαιωθείτε ότι ο εύκαμπτος σωλήνας απομάκρυνσης σκόνης είναι κατάλληλος για την εφαρμογή και το υλικό που κόβεται. Να διασφαλίζετε σωστή διαχείριση των εύκαμπτων σωλήνων

Εγκατάσταση/αντικατάσταση λεπίδας πριονιού (Εικ. Ο)

Προειδοποίηση! Πάντα ελέγχετε την ευθυγράμμιση του μαχαιριού διαχωρισμού και τη λειτουργικότητα των προφυλακτήρων μετά από οποιαδήποτε εργασία συντήρησης.

Προειδοποίηση! Πάντα να ελέγχετε ότι το μαχαίρι διαχωρισμού είναι ασφαλισμένο στη θέση του και ευθυγραμμισμένο με τη λεπίδα πριν από κάθε χρήση και μετά από οποιαδήποτε συντήρηση.

Ο προφυλακτήρας πρέπει να είναι τοποθετημένος όταν πραγματοποιείτε διαμπερείς κοπές.

Προειδοποίηση! Βεβαιωθείτε ότι το μηχάνημα είναι αποσυνδεδεμένο από την πηγή ρεύματος. Φορέστε προστατευτικά γάντια.

- ◆ Αφαιρέστε τον προφυλακτήρα λεπίδας του πριονιού (2).
- ◆ Αφαιρέστε το ένθετο τραπεζιού (20).

- ◆ Λασκάρετε το παξιμάδι της λεπίδας πριονιού τοποθετώντας το κλειδί (17) πάνω στο παξιμάδι και κοντράροντας με ένα άλλο κλειδί (17) πάνω στη φλάντζα.

Προειδοποίηση! Περιστρέψτε το παξιμάδι στην κατεύθυνση περιστροφής της λεπίδας πριονιού.

- ◆ Αφαιρέστε την εξωτερική φλάντζα και αφαιρέστε την λεπίδα πριονιού από την εσωτερική φλάντζα, με κίνηση διαγώνια προς τα κάτω.
- ◆ Καθαρίστε προσεκτικά τη φλάντζα πριν τοποθετήσετε τη νέα λεπίδα πριονιού.
- ◆ Εισάγετε τη νέα λεπίδα πριονιού και στερεώστε την εξωτερική φλάντζα.

Προειδοποίηση! Τα δόντια μιας καινούργιας λεπίδας είναι πολύ αιχμηρά και μπορούν να είναι επικίνδυνα. Βεβαιωθείτε ότι τα δόντια του πριονιού δείχνουν προς τα κάτω στο μπροστινό μέρος του τραπεζιού και ότι είναι ευθυγραμμισμένα με το βέλος που επισημαίνεται στον προφυλακτήρα λεπίδας του πριονιού (2).

Προειδοποίηση! Πάντα ελέγχετε την ευθυγράμμιση του μαχαιριού διαχωρισμού και τη λειτουργικότητα των προφυλακτήρων μετά από οποιαδήποτε εργασία συντήρησης.

Προειδοποίηση! Πάντα να ελέγχετε ότι το μαχαίρι διαχωρισμού είναι ασφαλισμένο στη θέση του και ευθυγραμμισμένο με τη λεπίδα πριν από κάθε χρήση και μετά από οποιαδήποτε συντήρηση. Ο προφυλακτήρας πρέπει να είναι τοποθετημένος όταν πραγματοποιείτε διαμπερείς κοπές.

Διακόπτης ενεργοποίησης/ απενεργοποίησης (on/off) (8)

- ◆ Για να ενεργοποιήσετε το μηχάνημα, ανυψώστε το μαύρο κάλυμμα και πιέστε το πράσινο κουμπί εκκίνησης.
- ◆ Για να απενεργοποιήσετε το μηχάνημα, πιέστε το μαύρο κουμπί.

Βάθος κοπής

Περιστρέψτε τη λαβή ανύψωσης της λεπίδας (11) για να θέσετε τη λεπίδα στο απαιτούμενο βάθος κοπής.

- ◆ Περιστρέψτε αριστερόστροφα για να αυξήσετε το βάθος κοπής.
- ◆ Περιστρέψτε δεξιόστροφα για να μειώσετε το βάθος κοπής.

Μετά από κάθε νέα προσαρμογή συνιστούμε να πραγματοποιείτε μια δοκιμή κοπής για να ελέγχετε τις ρυθμισμένες διαστάσεις.

Σημείωση: Το ύψος της λεπίδας πριονιού συνιστάται να είναι περίπου 3,2 mm πάνω από την πάνω επιφάνεια του αντικειμένου εργασίας.

Συγκρότημα οδηγού διαμήκους κοπής (Εικ. Η & Ι)

- ◆ Τοποθετήστε τον οδηγό διαμήκους κοπής (5) στην πίσω πλευρά και πιέστε τη λαβή ασφάλισης (15) προς τα κάτω.

- ♦ Κατά την αποσυναρμολόγηση, τραβήξτε τη λαβή ασφάλισης (15) προς τα πάνω και αφαιρέστε τον οδηγό διαμήκους κοπής (5).
- ♦ Ο οδηγός διαμήκους κοπής μπορεί να συσφιχτεί με το ραβδωτό πίσω παξιμάδι (5b).

Ρύθμιση του βάθους κοπής (Εικ. J)

Ο οδηγός διαμήκους κοπής (5) χρησιμοποιείται για διαμήκη κοπή του υλικού.

- ♦ Τοποθετήστε τον οδηγό διαμήκους κοπής (5) στη ράγα καθοδήγησης (18) στη δεξιά ή αριστερή πλευρά της λεπίδας πριονιού.
- ♦ Η κλίμακα στη ράγα καθοδήγησης (18) μπορεί να χρησιμοποιηθεί ως υπόδειξη του διάκενου ανάμεσα στη ράγα του οδηγού και στη λεπίδα πριονιού (4), μόνο εφόσον το τραπέζι δεν βρίσκεται στη θέση επέκτασης (Εικ. L)
- ♦ Θέστε τον οδηγό διαμήκους κοπής (5) στην απαιτούμενη προδιαγραφή πάνω στη γυάλινη θυρίδα ελέγχου και ασφαλίστε τον με τη λαβή ασφάλισης για τον οδηγό διαμήκους κοπής (15).

Βοηθητικό στοπ (Εικ. J1)

Κατά το πριόνισμα στενών αντικειμένων εργασίας και λοξών γωνιών, το βοηθητικό στοπ (5c) πρέπει να στερεωθεί στον οδηγό διαμήκους κοπής (5) όπως φαίνεται στην εικόνα J1. Κατά το πριόνισμα στενών αντικειμένων εργασίας, αυτά μπορεί να σφηνώσουν ανάμεσα στον οδηγό διαμήκους κοπής και στη λεπίδα πριονιού και ως αποτέλεσμα να εκσφενδονιστούν από το μηχανήμα. Εφαρμόστε επομένως το βοηθητικό στοπ (5c) με τέτοιο τρόπο έτσι ώστε η άκρη καθοδήγησης να βρίσκεται ανάμεσα στο μπροστινό δόντι της λεπίδας πριονιού και στη μπροστινή άκρη του μαχαιριού διαχωρισμού.

Χρήση μετρητή γωνίας φалтσοκοπής (Εικ. K)

- ♦ Ωθήστε το μετρητή γωνίας φалтσοκοπής σε μια εγκοπή (1a) στο τραπέζι πριονιού (1).
- ♦ Ασκαράτε τη λαβή ασφάλισης (6a).
- ♦ Περιστρέψτε το μετρητή γωνίας φалтσοκοπής (6b) έως ότου ρυθμιστεί η γωνία που απαιτείται.
- ♦ Η κλίμακα (6c) δείχνει τη γωνία που ρυθμίστηκε.
- ♦ Σφίξτε ξανά τη λαβή ασφάλισης (6a).

Τραπέζι επέκτασης (Εικ. L)

Το τραπέζι επέκτασης (16) μπορεί να χρησιμοποιηθεί για αρκετά πλατιά αντικείμενα εργασίας.

- ♦ Ασκαράτε τη λαβή ασφάλισης (14) και τραβήξτε την προέκταση πλάτους του τραπεζιού προς τα έξω στο μήκος που απαιτείται.

Ρύθμιση της γωνίας λεπίδας (Εικ. M)

Ρυθμίστε την απαιτούμενη γωνία λοξής κοπής από 0 έως 45 μοίρες.

- ♦ Ασκαράτε το κουμπί ασφάλισης ρύθμισης γωνίας λοξής κοπής (10).
- ♦ Ωθήστε τον τροχό κλίσης της λεπίδας (13) και περιστρέψτε τον στην επιθυμητή θέση.
- ♦ Ρυθμίστε την επιθυμητή γωνία και κατόπιν ασφαλίστε ξανά το κουμπί (10).

Οδηγίες εργασίας

Μετά από κάθε νέα προσαρμογή προτείνεται να πραγματοποιείται μια δοκιμή για να ελεγχθούν οι διαστάσεις που τέθηκαν. Μετά την αλλαγή στο πριόνι, περιμένετε μέχρι η λεπίδα να φτάσει τη μέγιστη ταχύτητα περιστροφής προτού αρχίσετε την κοπή.

Στερεώνετε τα αντικείμενα εργασίας μεγάλου μήκους για προστασία από πτώση στο τέλος της κοπής (π.χ. χρησιμοποιώντας πάγκο με ράουλα κλπ.) Ιδιαίτερη προσοχή στην έναρξη της κοπής!

Πραγματοποίηση διαμήκων κοπών

Η διαμήκης κοπή (γνωστή και ως σχίσμο) είναι όταν το πριόνι χρησιμοποιείται για κοπή κατά μήκος των νερών του ξύλου. Πιέστε μια από τις άκρες του αντικειμένου εργασίας πάνω στον οδηγό διαμήκους κοπής (5) με την επίπεδη πλευρά πάνω στο τραπέζι πριονιού (1). Ο προφυλακτήρας λεπίδας (2) δεν πρέπει ποτέ να χαμηλώνεται πάνω από το αντικείμενο εργασίας. Όταν κάνετε μια διαμήκη κοπή, μην έχετε ποτέ στάση που είναι στην ίδια ευθεία με την κατεύθυνση κοπής.

- ♦ Ενεργοποιήστε το πριόνι.
- ♦ Τοποθετήστε τις παλάμες σας (με κλειστά τα δάχτυλα) σε πλήρη επαφή με το αντικείμενο εργασίας και ωθήστε το κατά μήκος και εντός της λεπίδας (4).
- ♦ Καθοδηγήστε το πλευρικό τμήμα με το αριστερό ή δεξιό σας χέρι (ανάλογα με τη θέση) μόνο έως και την μπροστινή άκρη του προφυλακτήρα λεπίδας του πριονιού (2).
- ♦ Πάντα ωθείτε το αντικείμενο εργασίας έως και το τέλος του μαχαιριού διαχωρισμού (3) χρησιμοποιώντας τη ράβδο προώθησης (19) όπως δείχνει η εικόνα N.
- ♦ Το απόκομμα παραμένει στον τραπέζι του πριονιού (1).
- ♦ Στερεώνετε τα αντικείμενα εργασίας μεγάλου μήκους για προστασία από πτώση στο τέλος της κοπής (π.χ. χρησιμοποιώντας πάγκο με ράουλα κλπ.).

Προειδοποίηση! Πάντα χρησιμοποιείτε μια ράβδο προώθησης (19) όταν πραγματοποιείτε διαμήκη κοπή σε μικρά αντικείμενα εργασίας.

Μην κόβετε υπερβολικά μικρά αντικείμενα εργασίας.

Εγκάρσια κοπή

- ◆ Ασφαλίστε το μετρητή γωνίας φάλσσκοπής (6) στις 20 μοίρες.
- ◆ Ρυθμίστε τη γωνία λοξής κοπής στις 0 μοίρες.
- ◆ Προσαρμόστε το ύψος της λεπίδας πριονιού (4).
- ◆ Κρατήστε το αντικείμενο εργασίας σε οριζόντια θέση πάνω στο τραπέζι (1) και σε επαφή με τον οδηγό. Κρατήστε το αντικείμενο εργασίας μακριά από τη λεπίδα.
- ◆ Κρατάτε και τα δύο χέρια σας μακριά από τη διαδρομή της λεπίδας πριονιού.
- ◆ Ενεργοποιήστε το μηχάνημα και επιτρέψτε στη λεπίδα πριονιού να φθάσει στην πλήρη ταχύτητα.
- ◆ Κρατήστε το αντικείμενο εργασίας σε επαφή με τον οδηγό και κινήστε αργά το αντικείμενο εργασίας μαζί με το συγκρότημα του οδηγού μέχρι να έρθει κάτω από τον πάνω προφυλακτήρα της λεπίδας.
- ◆ Επιτρέψτε στα δόντια να κόψουν και μην ασκείτε υπερβολική δύναμη στο αντικείμενο εργασίας για να περάσει από τη λεπίδα. Η ταχύτητα της λεπίδας του πριονιού πρέπει να διατηρείται σταθερή.

Αφού ολοκληρώσετε την κοπή, απενεργοποιήστε το μηχάνημα, αφήστε τη λεπίδα να σταματήσει και αφαιρέστε το αντικείμενο εργασίας.

Προειδοποίηση! Σε καμία περίπτωση μη στρώξετε ή κρατήσετε το κομμένο άκρο του αντικείμενου εργασίας.

Χειρισμός σφηνώματος λεπίδας

- ◆ Βεβαιωθείτε ότι το μηχάνημα είναι αποσυνδεδεμένο από την πηγή ρεύματος.
- ◆ Αφαιρέστε το αντικείμενο εργασίας. Προσέχετε να μην αγγίξετε με τα χέρια σας τη λεπίδα του πριονιού.
- ◆ Πιέστε την επιλογή προστασίας από υπερφόρτωση (21) και συνδέστε ξανά το καλώδιο, το μηχάνημα μπορεί να συνεχίσει την εργασία.

Μετά τη χρήση

- ◆ Μετά τη χρήση, σκουπίστε πριονιδία και σκόνη που έχουν προσκολληθεί στο εργαλείο με ένα πανί ή παρόμοιο μέσο.
- ◆ Λιπάνετε τα ολισθαίνοντα τμήματα με λάδι μηχανής για να αποτρέψετε την οξείδωση.

Προστασία του περιβάλλοντος

Χωριστή συλλογή. Τα προϊόντα και οι μπαταρίες που επισημαίνονται με αυτό το σύμβολο δεν πρέπει να απορρίπτονται μαζί με τα κανονικά οικιακά απορρίμματα.

Τα προϊόντα και οι μπαταρίες περιέχουν υλικά που μπορούν να ανακτηθούν ή να ανακυκλωθούν ώστε να μειωθούν οι ανάγκες για πρώτες ύλες. Παρακαλούμε να ανακυκλώνετε τα ηλεκτρικά προϊόντα και τις μπαταρίες σύμφωνα με τους τοπικούς κανονισμούς. Περισσότερες πληροφορίες διατίθενται στον ιστότοπο www.2helpU.com

Τεχνικά χαρακτηριστικά

		BES720 Τύπος 1
Τάση	V	230
Συχνότητα	Hz	50
Κατανάλωση ισχύος	Π	1800
Ταχύτητα χωρίς φορτίο	/λεπτό	5200
Διάμετρος λεπίδας	mm	254
Πάχος κορμού λεπίδας	mm	2,0
Επιτρεπόμενο εύρος πλάτους εντομής	mm	2,8
Μέγεθος οπής	mm	30
Πάχος μαχαιριού διαχωρισμού	mm	2,5
Μέγιστο βάθος κοπής στις 45°	mm	58
Μέγιστο βάθος κοπής στις 90°	mm	80
Εύρος γωνίας λοξής κοπής λεπίδας		0 - 45°
Βάρος	kg	27,56

Στάθμη ηχητικής πίεσης κατά EN 62841:	
L_{pA} (ηχητική πίεση)	95 dB(A), αβεβαιότητα (Κ) 3 dB(A)
L_{wA} (ηχητική ισχύς)	108 dB(A), αβεβαιότητα (Κ) 3 dB(A)

Δήλωση συμμόρφωσης ΕΚ

ΟΔΗΓΙΑ ΠΕΡΙ ΜΗΧΑΝΗΜΑΤΩΝ



BES720 Πριόνι πάγκου

Η Black & Decker δηλώνει ότι τα προϊόντα αυτά που περιγράφονται στα "τεχνικά χαρακτηριστικά" συμμορφώνονται με τα ακόλουθα:

EN62841-1:2015, EN62841-3-9:2015+A11:2017,

Αυτά τα προϊόντα συμμορφώνονται και με την

Οδηγία 2006/42/ΕΕ, 2014/30/ΕΚ και 2011/65/ΕΕ.

Για περισσότερες πληροφορίες, επικοινωνήστε με την Black & Decker στην παρακάτω διεύθυνση ή ανατρέξτε στο πίσω μέρος του εγχειριδίου.

Ο κάτωθι υπογεγραμμένος είναι υπεύθυνος για την κατάρτιση του τεχνικού φακέλου και δηλώνει τα παράτα εκ μέρους της Black & Decker.

Patrick Diepenbach

Γενικός Διευθυντής, Μπενελούξ

Black and Decker,

Egide Walschaertsstraat 14-18

2800 Mechelen, Belgium (Βέλγιο)

21/05/2021

Εγγύηση

Η Black & Decker είναι σίγουρη για την ποιότητα των προϊόντων της και προσφέρει στους καταναλωτές εγγύηση 24 μηνών από την ημερομηνία αγοράς. Αυτή η εγγύηση συμπληρώνει και με κανένα τρόπο δεν παραβλάπτει τα νόμιμα δικαιώματά σας. Η εγγύηση ισχύει εντός της επικράτειας των χωρών μελών της Ευρωπαϊκής Ένωσης και της Ευρωπαϊκής Ζώνης Ελεύθερων Συναλλαγών.

Για να υποβάλετε αξίωση βάσει της εγγύησης, η αξίωση θα πρέπει να είναι σύμφωνη με τους Όρους και προϋποθέσεις της Black & Decker και θα χρειαστεί να υποβάλετε απόδειξη αγοράς στον πωλητή ή σε εξουσιοδοτημένο αντιπρόσωπο επισκευών. Μπορείτε να αποκτήσετε τους Όρους και προϋποθέσεις της εγγύησης 2 ετών της Black & Decker και να μάθετε την τοποθεσία του πλησιέστερου εξουσιοδοτημένου αντιπροσώπου επισκευών στο Internet στο www.2helpU.com, ή επικοινωνώντας με το τοπικό σας γραφείο Black & Decker στη διεύθυνση που υποδεικνύεται στο παρόν εγχειρίδιο.

Παρακαλούμε επισκεφθείτε την ιστοσελίδα μας www.blackanddecker.eu για να καταχωρίσετε το νέο σας προϊόν Black & Decker και για να ενημερώνεστε για τα νέα προϊόντα και τις ειδικές προσφορές.

België/Belgique/Luxembourg www.blackanddecker.be enduser.be@sbdinc.com	Stanley Black & Decker Belgium BVBA Egide Walschaertsstraat 16 2800 Mechelen	Tel. NL +32 15 47 37 65 Tel. FR +32 15 47 37 66 Fax. +32 15 47 37 99
Danmark	Black & Decker Roskildevej 22 2620 Albertslund	kundeservice.dk@sbdinc.com www.blackanddecker.dk
Deutschland www.blackanddecker.de infobfge@sdbinc.com	Stanley Black & Decker Deutschland GmbH Black & Decker Str. 40, D - 65510 Idstein	Tel. 06126 21-0 Fax 06126 21-2980
Ελλάδα www.blackanddecker.gr greece.service@sbdinc.com	Stanley Black & Decker (ΕΛΛΑΣ) Ε.Π.Ε ΓΡΑΦΕΙΑ: Σπύριδωνος 7 & Βουλιαγμένης 166 74 Γλυφάδα - Αθήνα	Τηλ. 210-8981616 Φαξ 210-8983570
SERVICE:	Ημερος Τόπος 2 -Χάνι Αδάμ 193 00 Ασπρόπυργος - Αθήνα	Τηλ. Service 210-8985208 Φαξ 210-5597598
España www.blackanddecker.es respuesta.posventa@sbdinc.com	Stanley Black & Decker Ibérica, S.C.A. Parc de Negocis "Mas Blau" Edificio Muntadas, c/Bergadà, 1, Of. A6 08820 El Prat de Llobregat (Barcelona)	Tel. 934 797 400 Fax 934 797 419
France www.blackanddecker.fr	Black & Decker (France) S.A.S. 5 allée des Hêtres B.P. 30084 69579 Limonest Cédex	Tel. 04 72 20 39 20 Fax 04 72 20 39 00
Helvetia www.blackanddecker.ch service@rofoag.ch	ROFO AG Gewerbezone Seeblick 3213 Kleinbösingen	Tel. 026-6749393 Fax 026-6749394
Italia www.blackanddecker.it service.italia@sbdinc.com	Stanley Black & Decker Italia Via Energypark 6 20871 Vimercate (MB)	Tel. 039-9590200 Fax 039-9590313 Numero verde 800-213935
Nederland www.blackanddecker.nl enduser.nl@sbdinc.com	Stanley Black & Decker Netherlands BV Holtum Noordweg 35, 6121 RE BORN Postbus 83, 6120 AB BORN	Tel. +31 164 283 065 Fax +31 164 283 200
Norge	Black & Decker Postboks 4613, Nydalen 0405 Oslo	kundeservice.no@sbdinc.com www.blackanddecker.no
Österreich www.blackanddecker.at service.austria@sbdinc.com	Stanley Black & Decker Austria GmbH Oberlaaerstraße 248, A-1230 Wien	Tel. 01 66116-0 Fax 01 66116-614
Portugal www.blackanddecker.pt resposta.posvenda@sbdinc.com	Black & Decker Limited SARL Quinta da Fonte - Edifício Q55 D. Diniz Rua dos Malhões, 2 e 2A - Piso 2 Esquerdo 2770 - 071 Paço de Arcos	Tel. 214667500 Fax 214667580
Suomi	Black & Decker PL47 00521, Helsinki	asiakaspalvelu.fi@sbdinc.com www.blackanddecker.fi
Sverige	Black & Decker AB Box 94, 431 22 Mölndal	kundservice.se@sbdinc.com www.blackanddecker.se
Türkiye www.blackanddecker.com.tr	KALE Hırdavat ve Makina A.Ş. Defferdar Mah. Savaklar Cad. No:15 Edimekapı / Eyüp / İstanbul 34050	Tel. 0212 533 52 55 Fax. 0212 533 10 05
United Kingdom & Republic Of Ireland www.blackanddecker.co.uk emeaservice@sbdinc.com	Black & Decker 270 Bath Road Slough, Berkshire SL1 4DX	Tel. 01753 511234 Fax 01753 512365
Middle East & Africa www.blackanddecker.ae service.mea@sbdinc.com	Black & Decker P.O.Box - 17164 Jebel Ali Free Zone (South), Dubai, UAE	Tel. +971 4 8863030 Fax +971 4 8863333