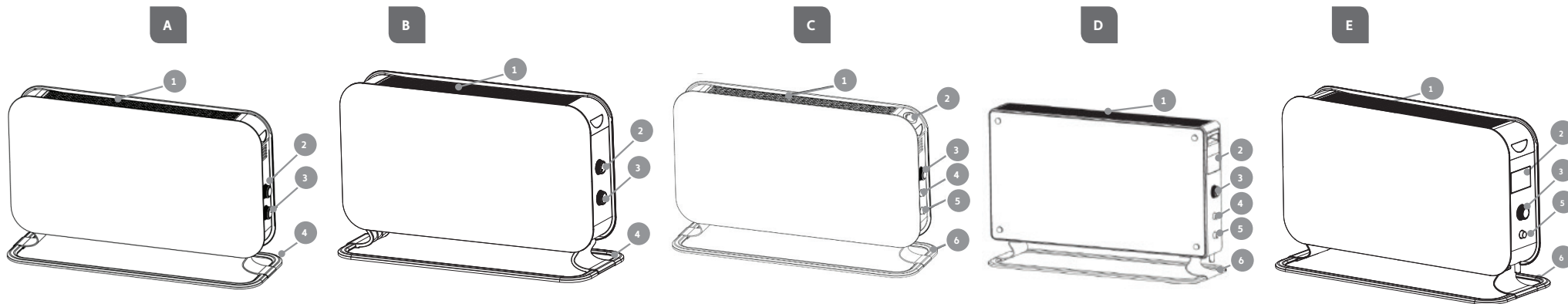




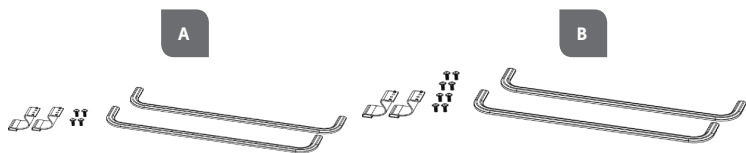
# Mill Instant convection heater Illustrations mill®



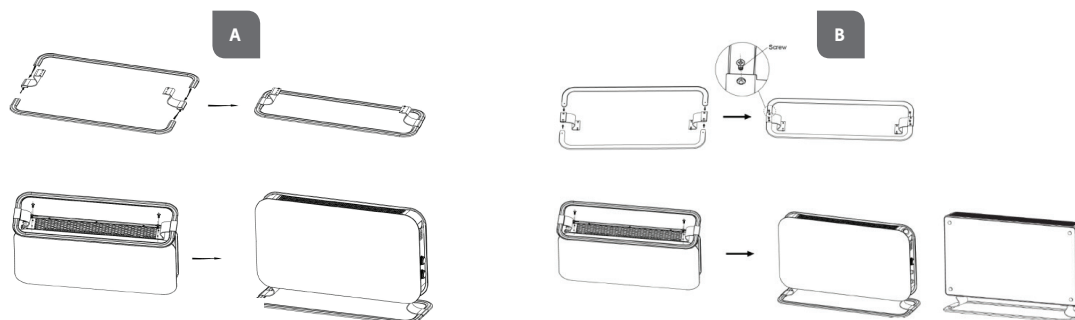
## 1. DESCRIPTION OF THE HEATER



## 2. PARTS



## 3. ASSEMBLY

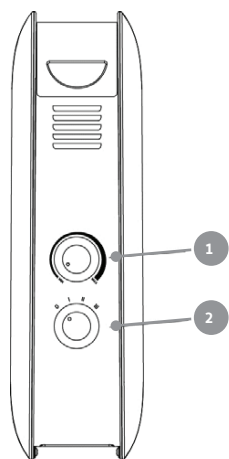




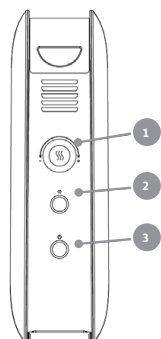
# Mill Instant convection heater Illustrations mill®



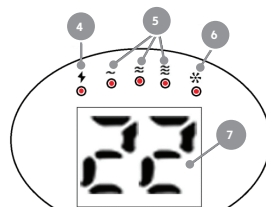
## 4. CONTROL PANEL MECHANICAL THERMOSTAT



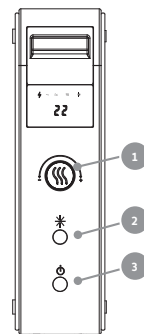
## 5. CONTROL PANEL ELECTRONIC THERMOSTAT



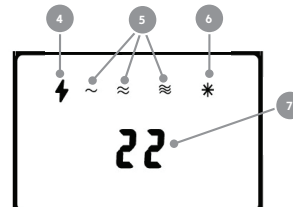
SG2000LED



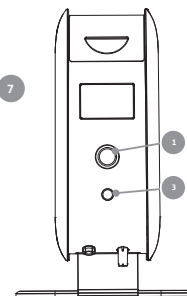
DISPLAY SG2000LED



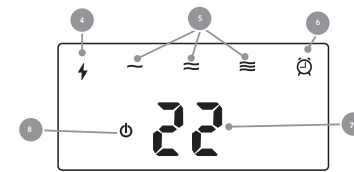
SG2000GLASS



DISPLAY SG2000GLASS



CO2200LEDMAX



DISPLAY CO2200LEDMAX

## 6. TEMPERATUR CALIBRATION



## 7. RESETTING THE HEATER

