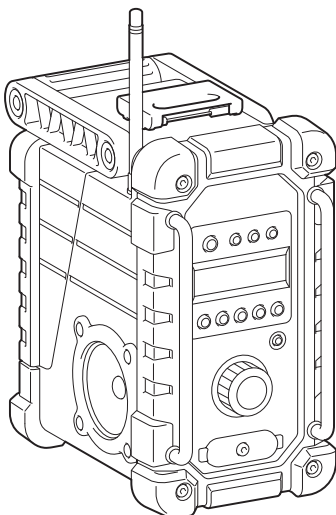
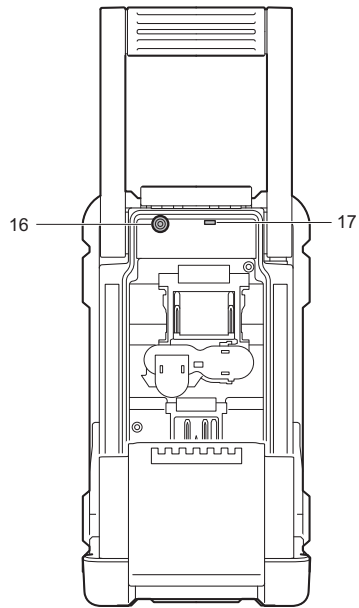
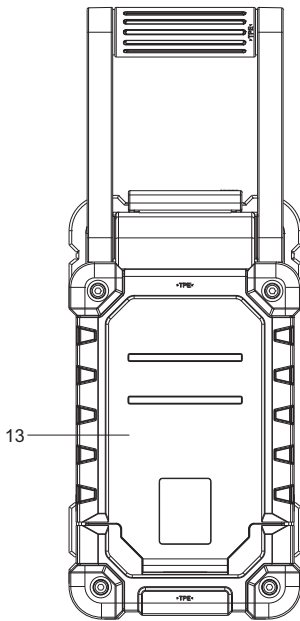
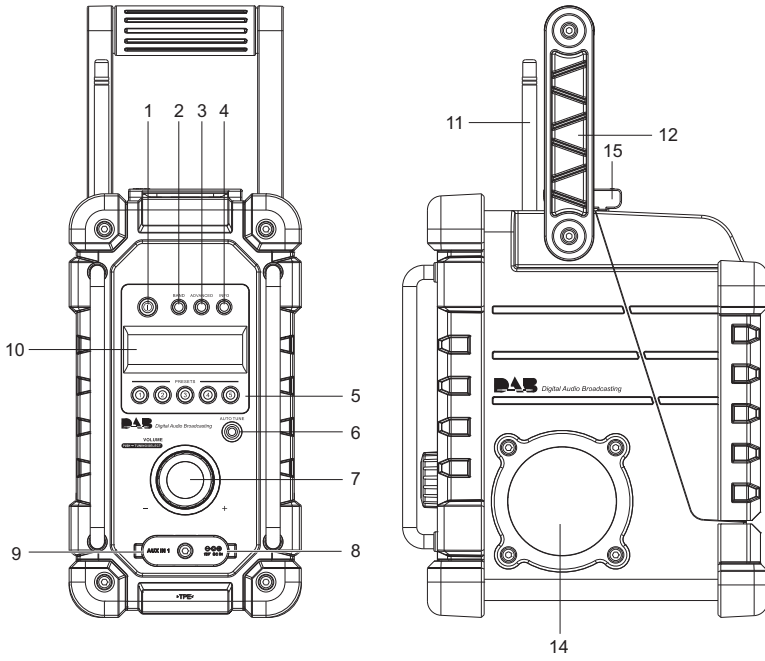


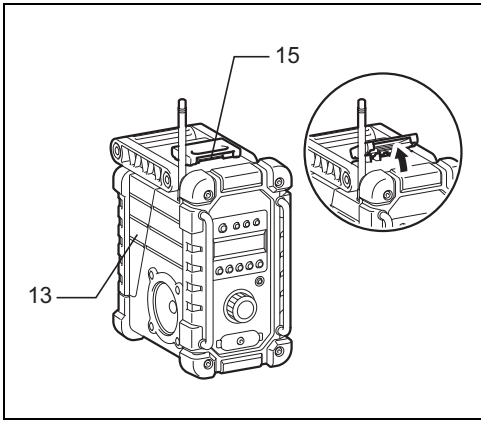


EN	Job Site Radio	Instruction Manual
SV	Arbetsplatsradio	Bruksanvisning
NO	Radio for arbeidssted	Bruksanvisning
FI	Työmaaradio	Käyttöohje
LV	Darba vietas radio	Instrukciju rokasgrāmata
LT	Darbo vietos radijas	Naudojimo instrukcija
ET	Töökohta raadio	Kasutusjuhend
RU	Радиоприемник	Инструкция по эксплуатации

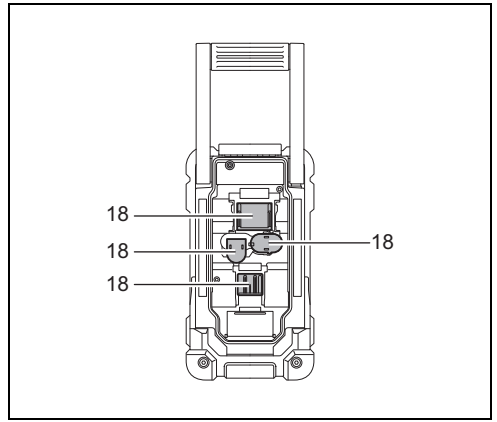
DMR109
DMR110



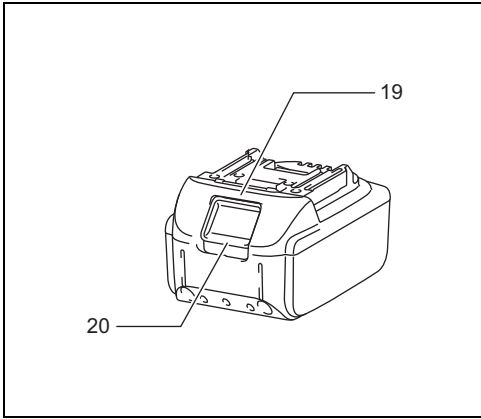




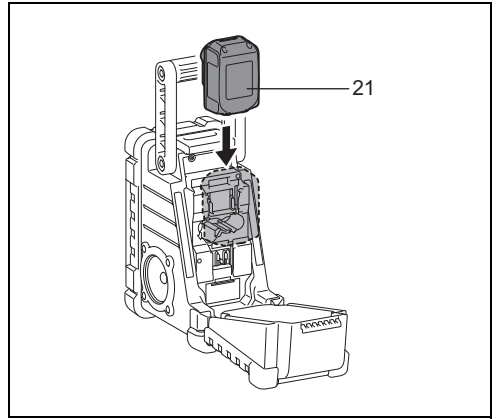
2



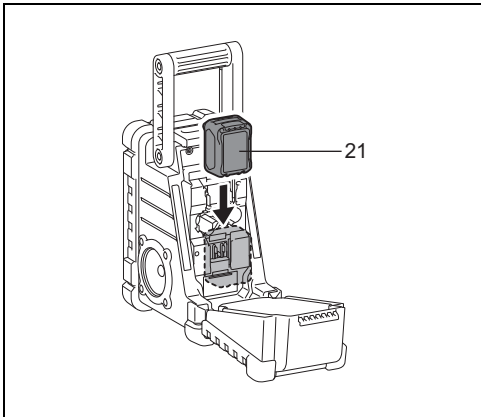
3



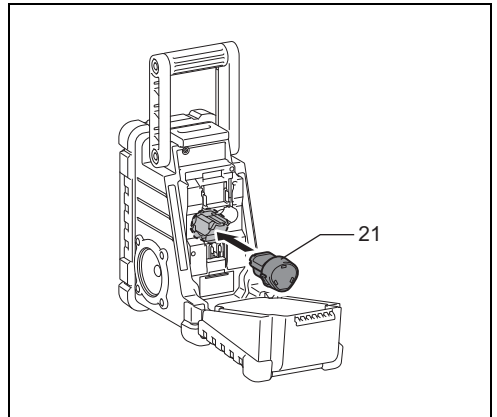
4



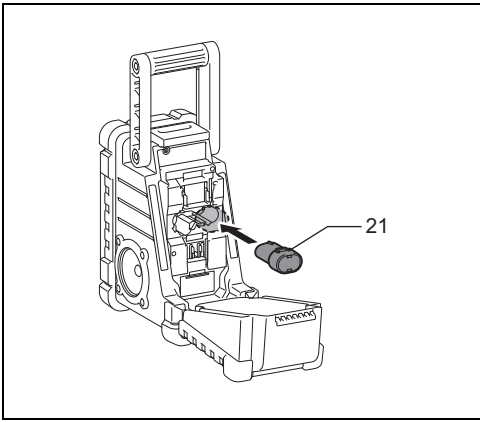
5



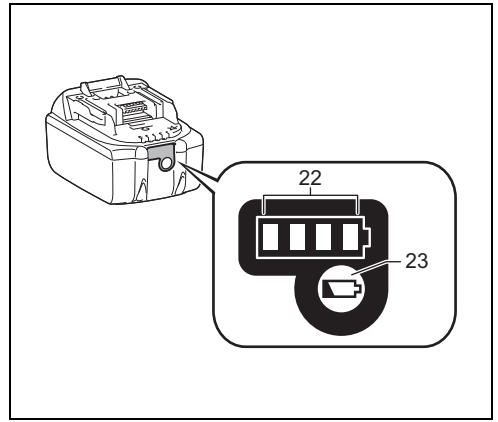
6



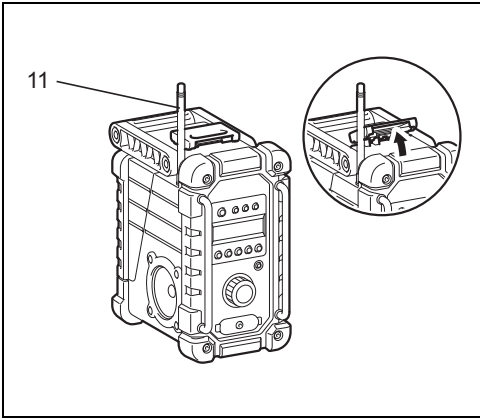
7



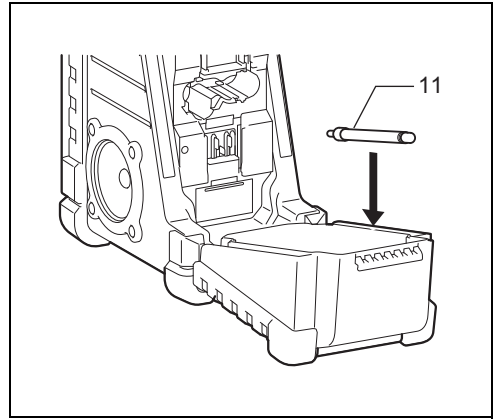
8



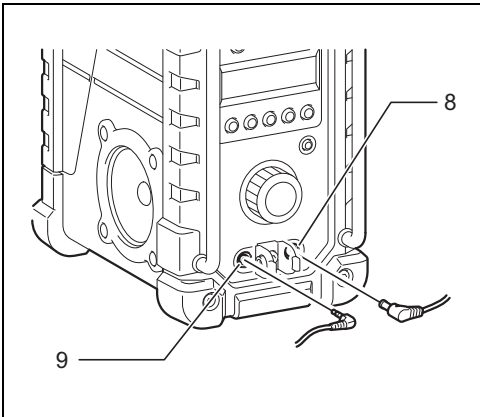
9



10



11



12

ENGLISH (Original instructions)

SYMBOLS

The following show the symbols used for the equipment. Be sure that you understand their meaning before use.



..... Read instruction manual.



..... Only for EU countries
Do not dispose of electric equipment or battery pack together with household waste material!
In observance of European Directive 2002/96/EC on waste electric and electronic equipment, 2006/66/EC on batteries and accumulators and waste batteries and accumulators and their implementation in accordance with national laws, electric equipment and battery pack that have reached the end of their life must be collected separately and returned to an environmentally compatible recycling facility.

Cd
Ni-MH
Li-Ion

IMPORTANT SAFETY INSTRUCTIONS

WARNING:

When using electric tools, basic safety precautions should always be followed to reduce the risk of fire, electric shock, and personal injury, including the following:

1. Read this instruction manual and the charger instruction manual carefully before use.
2. Clean only with dry cloth.
3. Do not install near any heat sources such as radiators, heat registers, stoves, or other apparatus (including amplifiers) that produce heat.
4. Only use attachments/accessories specified by the manufacturer.
5. Unplug this apparatus during lightning storms or when unused for long periods of time.
6. A battery operated radio with integral batteries or a separate battery pack must be recharged only with the specified charger for the battery. A charger that may be suitable for one type of battery may create a risk of fire when used with another battery.
7. Use battery operated radio only with specifically designated battery packs. Use of any other batteries may create a risk of fire.
8. When battery pack is not in use, keep it away from other metal objects like: paper clips, coins, keys, nails, screws, or other small metal objects that can make a connection from one terminal to another. Shorting the battery terminals together may cause sparks, burns, or a fire.
9. Avoid body contact with grounded surfaces such as pipes, radiators, ranges and refrigerators. There is an increased risk of electric shock if your body is grounded.
10. Under abusive conditions, liquid may be ejected from the battery; avoid contact. If contact accidentally occurs, flush with water. If liquid contacts eyes,

additionally seek medical help. Liquid ejected from the battery may cause irritation or burns.

11. The MAINS plug is used as the disconnect device, and it shall remain readily operable.

SAVE THESE INSTRUCTIONS

IMPORTANT SAFETY INSTRUCTIONS FOR BATTERY CARTRIDGE

1. Before using battery cartridge, read all instructions and cautionary markings on (1) battery charger, (2) battery, and (3) product using battery.
2. Do not disassemble battery cartridge.
3. If operating time has become excessively shorter, stop operating immediately. It may result in a risk of overheating, possible burns and even an explosion.
4. If electrolyte gets into your eyes, rinse them out with clear water and seek medical attention right away. It may result in loss of your eyesight.
5. Do not short the battery cartridge:
 - (1) Do not touch the terminals with any conductive material.
 - (2) Avoid storing battery cartridge in a container with other metal objects such as nails, coins, etc.
 - (3) Do not expose battery cartridge to water or rain. A battery short can cause a large current flow, overheating, possible burns and even a breakdown.

A battery short can cause a large current flow, overheating, possible burns and even a breakdown.

6. Do not store the tool and battery cartridge in locations where the temperature may reach or exceed 50°C (122°F).
7. Do not incinerate the battery cartridge even if it is severely damaged or is completely worn out. The battery cartridge can explode in a fire.
8. Be careful not to drop or strike battery.
9. Do not use a damaged battery.
10. The contained lithium-ion-batteries are subject to the Dangerous Goods Legislation requirements. For commercial transports e.g. by third parties, forwarding agents, special requirement on packaging and labeling must be observed.
For preparation of the item being shipped, consulting an expert for hazardous material is required. Please also observe possibly more detailed national regulations.
Tape or mask off open contacts and pack up the battery in such a manner that it cannot move around in the packaging.
11. Follow your local regulations relating to disposal of battery.

SAVE THESE INSTRUCTIONS.

⚠ CAUTION: Only use genuine Makita batteries. Use of non-genuine Makita batteries, or batteries that have been altered, may result in the battery bursting causing fires, personal injury and damage. It will also void the Makita warranty for the Makita tool and charger.

Tips for maintaining maximum battery life

1. Charge the battery cartridge before completely discharged.
Always stop tool operation and charge the battery cartridge when you notice less tool power.
2. Never recharge a fully charged battery cartridge. Overcharging shortens the battery service life.
3. Charge the battery cartridge with room temperature at 10°C - 40°C (50°F - 104°F). Let a hot battery cartridge cool down before charging it.
4. Charge the battery cartridge if you do not use it for a long period (more than six months).

EXPLANATION OF GENERAL VIEW (Fig. 1 - 12)

1. Power button
2. Band button
3. Advanced setting button
4. Info button
5. Preset button
6. Auto tune button
7. Volume/Tuning Control/Select knob
8. DC IN socket
9. AUX IN 1
10. LCD display
11. Soft bended rod antenna
12. Handle
13. Battery compartment cover (covering battery cartridge)
14. Speaker
15. Battery compartment locker
16. Input terminal (AUX IN 2)
17. Micro USB port for software upgrade
18. Battery compartment
19. Red indicator
20. Button
21. Battery cartridge
22. Indicator lamps
23. Check button



FEATURES

- FM/DAB (DMR109)
- FM/DAB or DAB+ (DMR110)
- Large LCD display with illumination
- Manual/Preset/Scan tuning
- Rotary tuning and volume control
- 5 preset stations for each band
- Micro USB port for software upgrade
- Stereo speaker for rich sound performance
- Ultra rugged design
- Water resistant to IP64
- Powered by both Makita battery pack and supplied power adaptor

OPERATING TIME

The following tables indicate the operating time with a full charged battery.

Battery capacity	Battery cartridge voltage					At speaker output = 50 mW + 50 mW Unit: Hour (Approximately)
	7.2 V	10.8 V	10.8 V - 12V max	14.4 V	18 V	
1.0 Ah	BL7010					4.5 hour
1.3 Ah		BL1013				5.5 hour
				BL1415		5.0 hour
					BL1815	6.0 hour
1.5 Ah	BL0715					6.5 hour
			BL1015/ BL1016			8.0 hour
				BL1415N		7.0 hour
					BL1815N	7.5 hour
2.0 Ah			BL1020B/ BL1021B		BL1820 BL1820B	10 hour
3.0 Ah				BL1430 BL1430B		11 hour
					BL1830 BL1830B	14 hour
4.0 Ah			BL1040B/ BL1041B		BL1840 BL1840B	20 hour
				BL1440		18 hour
5.0 Ah				BL1450		22 hour
					BL1850 BL1850B	25 hour
6.0 Ah				BL1460B		24 hour
					BL1860B	31 hour

 : Cluster battery  : Slide battery

* The operating time is based on the operation in DAB/DAB+ on a single charge.

* Operating time may differ depending on battery type, charging status, and usage condition.

INSTALLATION

Installing or removing Slide battery cartridge (Fig. 4 - 6)

CAUTION:

Always switch off the radio before removing the battery cartridge.

- To install the battery cartridge, align the tongue on the battery cartridge with the groove in the housing and slip it into place. Always insert it all the way until it locks in place with a little click.
- If you can see the red indicator on the upper side of the button, it is not locked completely. Install it fully until the red indicator cannot be seen. If not, it may accidentally fall out of the radio, causing injury to you or someone around you.
- Do not use force when installing the battery cartridge. If the cartridge does not slide in easily, it is not being inserted correctly.
- To remove the battery cartridge, slide it from the radio while sliding the button on the front of the cartridge or pressing the buttons on both sides of the cartridge.

Return the battery compartment locker to the original position.

Reduced power, distortion and a “stuttering sound” are signs that the battery needs to be replaced.

Note:

The battery pack can't be charged via the supplied AC power adaptor.

Installing or removing Cluster battery cartridge (Fig. 7 & 8)

CAUTION:

Always switch off the radio before removing the battery cartridge.

- To insert the battery cartridge, align the tongue on the battery cartridge with the groove in the housing and slip it into place.
- To remove the battery cartridge, take the battery out of the terminal while pressing the buttons on the side of cartridge.

Return the battery compartment locker to the original position.

Reduced power, distortion and a “stuttering sound” are signs that the battery needs to be replaced.

Note:

The battery pack can't be charged via the supplied AC power adaptor.

Indicating the remaining battery capacity (Fig. 9)

Only for battery cartridges with "B" at the end of the model number

Press the check button on the battery cartridge to indicate the remaining battery capacity. The indicator lamps light up for few seconds.

Indicator lamps			Remaining capacity
Lighted	Off	Blinking	
■	□	◐	75% to 100%
■	■	■	
■	■	□	50% to 75%
■	■	□	25% to 50%
■	□	□	0% to 25%
◐	□	□	Charge the battery.
■	■	□	The battery may have malfunctioned.
□	□	■	

Note:

- Depending on the conditions of use and the ambient temperature, the indication may differ slightly from the actual capacity.

Installing the soft bended rod antenna (Fig. 10 & 11)

Install the soft bended rod antenna as shown in the figure.

Note:

There is a click in the battery compartment designed to store the removed antenna.

Using supplied AC power adaptor (Fig. 12)

Remove the rubber protector and insert the adaptor plug into the DC socket on the front side of the radio. Plug the adaptor into a standard mains socket outlet. Whenever the adaptor is used, the battery pack is automatically disconnected. The AC adaptor should be disconnected from the main supply when not in use.

OPERATION

This radio has three tuning methods- Scan tuning, Manual tuning and Memory presets recall.

Selecting a station - DAB

- Press the Power button to switch on your radio.
- Select the DAB mode by pressing the Band button.

- Press the Advanced setting button and rotate the Volume/Tuning Control/Select knob until "Station List" is flashing on the screen. Press the Volume/Tuning Control/Select knob to enter the list of the stations.
- Rotate the Volume/Tuning Control/Select knob to scroll through the list of available stations. Press the knob to select the station.
- Adjust the desired volume by rotating the Volume/Tuning Control/Select knob.

Display modes - DAB

Your radio has a range of display options in the DAB mode:

Press the Info button to cycle through the various options shown in the following letters (a. to g.).

- Station name Indicates the station name being listened to.
- Program type Indicates the type of station being listened to. E.g. Pop, Classics, News, etc.
- Multiplex name Indicates the name of the DAB multiplex to which the current station belongs.
- Time & date Indicates the current time and date.
- Frequency and channel Indicates the frequency and channel number for the currently tuned DAB station.
- Bit rate/Audio type Indicates the digital audio bit rate and audio type for the currently tuned DAB station.
- Signal strength Indicates the signal strength for the currently tuned DAB station.

Finding new stations – DAB

From time to time, new DAB radio stations may become available. Or you may have moved to a different part of the country. In this case you may need to activate your radio to scan for new stations.

To allow the radio to find the available stations, it is recommended to carry out a full scan of the entire DAB Band III frequencies.

- Press the Auto tune button.
- Your radio will perform a full scan of the DAB frequencies. As new stations are found, the station counter on the left side in the display will increase and stations will be added to the list.

Manual tuning – DAB

Manual tuning allows you to tune your radio to a particular DAB frequency in Band III. This function can also be used to assist the positioning of the antenna or the radio so as to optimize reception for a specific channel or frequency.

- Press the Advanced setting button and rotate the Volume/Tuning Control/Select knob until "Manual Tune" shown on the display. Press the Volume/Tuning Control/Select knob to enter the manual tuning mode.
- Rotate the Volume/Tuning Control/Select knob to select the desired DAB channel. Press Volume/Tuning Control/Select knob to confirm the chosen frequency.

Station order setup – DAB

Your radio has 3 station order settings from which you can choose. The station order settings are alphanumeric, ensemble and valid station.

1. Press the Advanced setting button.
2. Rotate the Volume/Tuning Control/Select knob until "Station order" appearing on the display, then press the Volume/Tuning Control/Select knob to enter the setting.
3. Rotate the Volume/Tuning Control/Select knob to select the following options and press the knob to confirm the setting.

Alphanumeric	Sorts the station list alpha-numerically 0...9 A...Z
Ensemble	Organizes the station list by DAB multiplex
Valid	Shows only those stations for which a signal can be found

Dynamic Range Control (DRC) – DAB

DRC feature can make quieter sounds easier to hear when your radio is used in a noisy environment by reducing the dynamic range of the audio signal. There are three levels of compression:

DRC 0	No compression applied.
DRC 1/2	Medium compression applied.
DRC 1	Maximum compression applied.

1. Press the Power button to switch on your radio.
2. Press the Band button to select the DAB band.
3. Press the Advanced setting button and rotate the Volume/Tuning Control/Select knob until "DRC Value" shown on the display. Then press the Volume/Tuning Control/Select knob to enter the setting. The display will show the current DRC value.
4. Rotate the Volume/Tuning Control/Select knob to select desired DRC setting.
5. Press the Volume/Tuning Control/Select knob to confirm the setting.

Scan Tuning – FM

1. Press the Power button to turn on the radio.
2. Select the desired waveband by pressing the Band button. Make sure the soft bended rod antenna has been well placed for best FM reception. Try to avoid operating the radio next to a computer screen and other equipment which will cause interference to the radio.
3. Press the Auto tune button and the radio will search and stop automatically when it finds a radio station. The radio will continue searching for the next available station unless the operator presses the Auto tune button to stop the scanning.
4. Rotate the Volume/Tuning Control/Select knob to get the desired sound level. The LCD display will show sound level changes.

Note:

- In order to use the Volume/Tuning Control/Select knob to find your desired station, press and hold the Volume/Tuning Control/Select knob to switch to the tuning control mode.
5. To turn off the radio, press the Power button.

FM scan zone

When using FM mode, your radio can be set to scan either local stations or to scan all stations including distant radio stations.

Manual Tuning – FM

1. Press the Power button to turn on the radio.
2. Press the Band button to select desired waveband. Adjust the antenna as described above.
3. Rotate the Volume/Tuning Control/Select knob will change the frequency in the following increment:
FM: 50 or 100 kHz

Note:

In order to use the Volume/Tuning Control/Select knob to find your desired station, press and hold the Volume/Tuning Control/Select knob to switch to the tuning control mode.

4. Keep rotating the Volume/Tuning Control/Select knob until desired frequency is shown on the display.
5. Rotate the Volume/Tuning Control/Select knob to get the desired sound level.
6. To turn off the radio, press the Power button.

Display modes – FM

Your radio has a range of display options for FM radio mode:

Repeat pressing the Info button to cycle through the different options.

- | | |
|--------------------|--|
| a. Program station | Indicates the name of the station being listened to. |
| b. Radio text | Indicates text message such as new items, etc. |
| c. Program type | Indicates the type of station being listened to such as Pop, Classic, News, etc. |
| d. Time & date | Indicates the current time and date. |
| e. Frequency | Indicates the frequency of the FM signal. |

Storing stations in preset memories (DAB and FM)

There are 5 memory presets for each waveband.

1. Press the Power button to turn on the radio.
2. Tune to the desired station using one of the methods previously described.
3. Press and hold the desired Preset button until the preset number shown on the display, for example, "P2 Saved". The station is then stored in the selected Preset button.
4. Repeat this procedure for the remaining presets.
5. Stations stored in the preset memories can be overwritten by following the procedures described above.

Recall stations from the preset memories (DAB and FM)

1. Press the Power button to turn on the radio.
2. Press the Band button to select your desired waveband.
3. Press the desired Preset button momentarily. The preset number and station frequency will appear in the display.

Language options (only available in DMR110)

There are eight language options available in the radio: English, German, Italian, French, Dutch, Danish, Norwegian, and Polish.

1. Press Advanced setting button.
2. Rotate the Volume/Tuning Control/Select knob until "Language" shown on the display. Press the Volume/Tuning Control/Select knob to enter the setting.
3. Rotate the Volume/Tuning Control/Select knob to choose your desired language. Press the Volume/Tuning Control/Select knob to confirm your setting.

Brightness control

The backlight of the display can be adjusted.

1. Press the Advanced setting button.
2. Rotate the Volume/Tuning Control/Select knob until "Backlight" shown on the display. Press the Volume/Tuning Control/Select knob to enter the setting.
3. Rotate the Volume/Tuning Control/Select knob to choose to enable or disable the backlight function, then press the Volume/Tuning Control/Select knob to confirm the setting.

System reset

If your radio fails to work correctly, or some digits on the display are missing or incomplete, carry out the following procedure.

1. Press the Advanced setting button.
2. Rotate the Volume/Tuning Control/Select knob until "Factory Reset" shown on the display. Press the Volume/Tuning Control/Select knob to enter the setting.
3. Rotate the Volume/Tuning Control/Select knob to choose "Yes". Press the Volume/Tuning Control/Select knob to confirm the setting and a full reset will be performed.

Software version

1. Press the Advanced setting button.
2. Rotate the Volume/Tuning Control/Select knob until "SW Version" shown on the display. Press the Volume/Tuning Control/Select knob to view the software version installed in the radio.

Micro USB port for software upgrade

Software updates for your radio may be available in the future.

As software updates become available software and information on how to update your radio can be found at [Makita website](#).

How to play other audios

CAUTION:

Unplug this apparatus before connecting other audios.

- There are 2 AUX IN sockets. AUX IN 1 is located on the front panel, and AUX IN 2 is located in the battery compartment.
- Connect a stereo or mono source (i.e. iPod, MP3, or CD player) to either AUX IN 1 or AUX IN 2 by audio cord.

- Repeatedly press and release the Band button until "AU1" or "AU2" is displayed, then AUX function is activated.

MAINTENANCE

CAUTION:

- Never use gasoline, benzine, thinner, alcohol or the like. Discoloration, deformation or cracks may result.

SPECIFICATIONS

Power requirements

AC power adaptor	DC 12 V 1A, center pin positive
Battery	Cluster battery: 7.2 V - 10.8 V Slide battery: 10.8 V - 18 V
Frequency coverage	FM 87.50 - 108 MHz DAB/DAB+ 174.928 - 239.200 MHz
DAB/DAB+ Channel block	DAB (Band III) 5A-13F
Compatible standard	DAB (DMR109) DAB/DAB+ (DMR110)

Circuit feature

Loudspeaker	3 inches 8 ohm
Output power	7.2 V: 0.5 W X 2 10.8 V: 1.2 W X 2 14.4 V: 2.2 W X 2 18 V: 3.5 W X 2
Input terminal	3.5 mm dia. (AUX IN1/AUX IN2)
Antenna system	DAB/FM: soft bended rod antenna
Dimension (L x W x H) in mm	280 x 163 x 302
Weight	4.0 kg (without battery)

SVENSKA (Originalanvisningar)

SYMBOLER

Följande symboler används för utrustningen. Se till att du förstår innebörden av dem innan du använder maskinen.



..... Läs bruksanvisningen.



..... Gäller endast EU-länder.

Elektrisk utrustning eller batteripaket får inte kastas i hushållssoptorna! Enligt direktivet 2002/96/EG som avser förbrukad elektrisk och elektronisk utrustning och direktivet 2006/66/EG som avser batterier och ackumulatörer och förbrukade batterier och ackumulatörer samt dess tillämpning enligt nationell lagstiftning, ska uttjänt elektrisk utrustning och batteripaket sorteras separat och lämnas till miljövänlig återvinning.



VIKTIGA SÄKERHETSANVISNINGAR

VARNING:

Vid användning av elektriska apparater ska grundläggande säkerhetsåtgärder alltid följas för att minska risken för brand, elektriska stötar och personskador, inklusive följande.

1. Läs denna bruksanvisning och laddarens bruksanvisning noggrant före användning.
2. Rengör endast med torr trasa.
3. Installera inte nära värmekällor såsom värmeelement, värmespjäll, spisar eller andra apparater (inklusive förstärkare) som alstrar värme.
4. Använd endast tillsatser/tillbehör specificerade av tillverkaren.
5. Dra ur apparatens sladd vid åska eller när apparaten inte används under en längre tid.
6. En batteridrivna radio med integrerade batterier eller ett separat batteri får endast laddas med angiven laddare för batteriet. En laddare som lämpar sig för en typ av batteri kan orsaka brand om den används tillsammans med en annan typ av batteri.
7. Använd endast särskilt avsedda batterier i den batteridrivna radion. Om andra batterier används kan risk för brand uppstå.
8. När batteriet inte används, håll det borta från andra metallföremål såsom: pappersklämmor, mynt, nycklar, spikar, skruvar, eller andra små metallföremål som kan skapa kontakt från den ena polen till den andra. Kortslutning av batteripoolerna kan orsaka gnistor, brännskador eller brand.
9. Undvik kroppskontakt med jordade ytor som till exempel rör, element, spisar och kylskåp. Det finns en ökad risk för elektriska stötar om din kropp är jordad.
10. Under hårda förhållande kan det komma vätska ur batteriet. Undvik kontakt. Spola med vatten om kontakt ändå råkar uppstå. Om du får vätska i ögonen ska läkare uppsökas omedelbart. Vätska från batteriet kan orsaka hudirritation eller ge brännskador.

11. Stickkontakten används för att stänga av apparaten, och den ska vara lättillgänglig.

SPARA DESSA ANVISNINGAR

VIKTIGA SÄKERHETSANVISNINGAR FÖR BATTERIKASSETTEN


1. Läs alla anvisningar och varningsmärken på (1) batteriladdaren, (2) batteriet och (3) produkten innan batterikassetten används.
2. Ta inte isär batterikassetten.
3. Om drifttiden blivit avsevärt kortare ska användningen omedelbart avbrytas. Det kan uppstå överhettning, brännskador och t.o.m. en explosion.
4. Om du får elektrolyt i ögonen ska du skölja dem med rent vatten och omedelbart söka läkarvård. Det finns risk att du förlorar synen.
5. Kortslut inte batterikassetten:
 - (1) Rör inte vid polerna med något ledande material.
 - (2) Undvik att förvara batterikassetten i en behållare tillsammans med andra metallföremål som t.ex. spik, mynt etc.
 - (3) Utsätt inte batterikassetten för vatten eller regn. Ett kortslutet batteri kan orsaka ett stort strömflöde, överhettning, eventuella brännskador och maskinen kan till och med gå sönder.

Ett kortslutet batteri kan orsaka ett stort strömflöde, överhettning, eventuella brännskador och maskinen kan till och med gå sönder.

6. Förvara inte maskinen och batterikassetten på platser där temperaturen kan nå eller överstiga 50 °C (122 °F).
7. Bränn inte upp batterikassetten även om den är svårt skadad eller helt utsliten. Batterikassetten kan explodera i öppen eld.
8. Var försiktig så att du inte tappar batteriet och utsatt det inte för stötar.
9. Använd inte ett skadat batteri.
10. De medföljande litiumjonbatterierna omfattas av lagen om transport av farligt gods. För kommersiella transporter, t.ex. av tredje part eller speditör, måste särskilda krav på förpackning och märkning följas. För iordningställandet av det föremål som ska transporteras krävs att en säkerhetsrådgivare konsulteras. Beakta även eventuellt mer detaljerade nationella bestämmelser.

Tejpa för eller maskera öppna kontakter och packa batteriet på ett sådant sätt att det inte kan röra sig i förpackningen.
11. Följ lokala förordningar gällande avfallshantering av batterier.

SPARA DESSA ANVISNINGAR.

 **FÖRSIKTIGHET:** Använd endast äkta Makita-batterier. Användning av oäkta Makita-batterier eller batterier som har modifierats kan resultera i att batteriet exploderar och orsakar eldsvåda, personskada eller skada på föremål. Det upphäver även Makita-garantin på Makita-redskapet och laddaren.

Tips på hur du upprätthåller maximal batterilivslängd

1. Ladda batterikassetten innan den är helt urladdad.
Sluta att använda maskinen och ladda batterikassetten när du märker att kraften avtar.
2. Ladda aldrig en fulladdad batterikassett.
Överladdning förkortar batteriets livslängd.
3. Ladda batterikassetten i en rumstemperatur på 10 °C - 40 °C (50 °F - 104 °F). Låt en varm batterikassett svalna innan den laddas.
4. Ladda batterikassetten om du inte har använt den under en lång tid (mer än sex månader).

BESKRIVNING AV ÖVERSIKTSBILD (Fig. 1 - 12)

1. Strömbrytare
2. Bandknapp
3. Knapp för avancerad inställning
4. Infoknapp
5. Förinställningsknapp
6. Auto-stationsinställningsknapp
7. Volym/Stationsinställning/Val-ratt
8. DC IN-uttag
9. AUX-IN 1
10. LCD-display
11. Antenn
12. Handtag
13. Lock till batterifack (täcker batterikassetten)
14. Högtalare
15. Batterifackets lås
16. Ingång för extern enhet (AUX-IN 2)
17. Mikro-USB-port för mjukvaruuppdatering
18. Batterifack
19. Röd indikator
20. Knapp
21. Batterikassett
22. Indikatorlampor
23. Kontrollknapp

FUNKTIONER

- FM/DAB (DMR109)
- FM/DAB eller DAB+ (DMR110)
- Stor LCD-display med bakgrundsbelysning
- Manuell/Förinställd/Automatisk stationsinställning
- Vridknapp för inställning och volymkontroll
- 5 förinställbara stationer för varje frekvensband
- Mikro-USB-port för mjukvaruuppdatering
- Stereohögtalare för bra ljudkvalitet
- Ultrakraftig formgivning
- Vattenbeständig till IP64
- Drivs av både Makitas batteri och medföljande AC-adapter

DRIFTTID

Nedanstående tabell anger drifttid med ett fulladdat batteri.

Batterikapacitet	Batteriets spänning					Med högtalareffekt = 50 mW + 50 mW Enhet: Timmar (ungefärlig)
	7,2 V	10,8 V	10,8 V - max. 12 V	14,4 V	18 V	
1,0 Ah	BL7010					4,5 timmar
1,3 Ah		BL1013				5,5 timmar
				BL1415		5,0 timmar
1,5 Ah					BL1815	6,0 timmar
	BL0715					6,5 timmar
			BL1015/ BL1016			8,0 timmar
				BL1415N		7,0 timmar
2,0 Ah					BL1815N	7,5 timmar
			BL1020B/ BL1021B		BL1820 BL1820B	10 timmar
3,0 Ah				BL1430 BL1430B		11 timmar
					BL1830 BL1830B	14 timmar
4,0 Ah			BL1040B/ BL1041B		BL1840 BL1840B	20 timmar
				BL1440		18 timmar
5,0 Ah				BL1450		22 timmar
					BL1850 BL1850B	25 timmar
6,0 Ah				BL1460B		24 timmar
					BL1860B	31 timmar

: Klusterbatteri : Glidbatteri

* Drifftiden baseras på användningen i läget med DAB/DAB+ på en laddning.

* Drifftiden kan variera beroende på batterityp, laddningsstatus och användningsförhållande.

INSTALLATION

Installation och avlägsnande av glidbatteri (Fig. 4 - 6)

FÖRSIKTIGHET:

Stäng alltid av radion innan du tar bort batteriet.

- Installera batterikassetten genom att rikta in tungan på batterikassetten mot spåret i höljet och skjut den på plats. Tryck alltid in batterikassetten ordentligt tills den låser fast med ett klick.
- Om du kan se den röda indikatorn på knappens ovansida är den inte ordentligt låst. För in den helt tills den röda indikatorn inte längre syns. I annat fall kan den oväntat falla ur radion och skada dig eller någon annan.
- Ta inte i för hårt när du monterar batterikassetten. Om kassetten inte lätt glider på plats är den felaktigt införd.
- Ta bort batterikassetten genom att skjuta den från radion medan du skjuter på knappen på kassetten framsida eller genom att trycka på knapparna på båda sidor av kassetten.

För tillbaka batterifackets lås till ursprungsläget.

Minskad ström, förvrängning och ett "hackande ljud" är tecken på att batteriet behöver bytas ut.

Obs:

Det går inte att ladda batteriet via den medföljande AC-adaptren.

Installation och avlägsnande av klusterbatterikassett (Fig. 7 och 8)

FÖRSIKTIGHET:

Stäng alltid av radion innan du tar bort batteriet.

- Sätt fast batterikassetten genom att rikta in tungan mot spåret i höljet och skjut den på plats.
- Ta bort batterikassetten, ta ut batteriet från kontakten medan du håller in knapparna på kassetten sida. För tillbaka batterifackets lås till ursprungsläget. Minskad ström, förvrängning och ett "hackande ljud" är tecken på att batteriet behöver bytas ut.

Obs:

Det går inte att ladda batteriet via den medföljande AC-adaptren.

Indikering av kvarvarande batterikapacitet (Fig. 9)

Endast för batterikassetter med "B" i slutet av modellnumret

Tryck på kontrollknappen på batterikassetten för att kontrollera återstående batterikapacitet. Indikatorlamporna lyser i några sekunder.

Indikatorlampor			Kvarvarande kapacitet
Tänd	Släckt	Blinkar	
■	□	◐	
■ ■ ■ ■			75 % till 100 %
■ ■ ■ □			50 % till 75 %
■ ■ □ □			25 % till 50 %
■ □ □ □			0 % till 25 %
◐ □ □ □			Ladda batteriet.
■ ■ □ □ ↑ ↓	□ □ ■ ■		Kan bero på felaktig funktion hos batteriet.

Obs:

- Beroende på användningsförhållandena och den omgivande temperaturen kan indikationen skilja sig något från den aktuella batterikapaciteten.

Installera antennen (Fig. 10 och 11)

Installera antennen såsom visas i figuren.

Obs:

Det finns en plats i batterifacket som är avsedd för att förvara den borttagna antennen.

Användning av medföljande AC-adapter (Fig. 12)

Avlägsna gummiskyddet och stick in adaptorns kontakt i DC-uttaget på framsidan av radion. Anslut adaptern till ett standard vägguttag. När adaptern används kopplas batteriet automatiskt ifrån. AC-adaptorns kontakt ska kopplas bort från vägguttaget när den inte används.

ANVÄNDNING

Denna radio har tre olika stationsinställningsmetoder – automatisk stationsinställning, manuell stationsinställning och återkallande av minnesförinställda stationer.

Välja en station – DAB

- Tryck på strömbrytaren för att slå på radion.
- Välj önskad DAB-läge genom att trycka på bandknappen.
- Tryck på knappen för avancerad inställning och vrid Volym/Stationsinställning/Val-ratten tills "Station List" blinkar på skärmen. Tryck på Volym/Stationsinställning/Val-ratten för att öppna stationslistan.

- Vrid Volym/Stationsinställning/Val-ratten för att söka igenom listan med tillgängliga stationer. Tryck på ratten för att välja station.
- Justera till önskad volym genom att vrida Volym/Stationsinställning/Val-ratten.

Visningslägen – DAB

Radion har en rad visningsalternativ i DAB-läge:

Tryck på infoknappen för att gå igenom de olika alternativen som visas med följande bokstäver (a. till g.).

- Stationsnamn Visar namnet på den station som du lyssnar på.
- Programtyp Visar vilken typ av station du lyssnar på. T.ex. pop, klassiskt, nyheter etc.
- Multiplexnamn Visar namnet på den DAB-multiplex som den aktuella stationen tillhör.
- Klockslag och datum Visar aktuell tid och datum.
- Frekvens och kanal Visar frekvensen och kanalnumret för aktuell inställd DAB-station.
- Överföringshastighet/Ljudtyp Visar den digitala överföringshastigheten för ljud och ljudtyp för aktuell inställd DAB-station.
- Signalstyrka Visar signalstyrkan för aktuell inställd DAB-station.

Sök efter nya stationer – DAB

Då och då kan nya DAB-radiostationer bli tillgängliga. Eller du har kanske flyttat till en annan del av landet. Då kan du behöva aktivera din radio så att den söker efter nya stationer.

Vi rekommenderar att du gör en full sökning av hela DAB Band III-frekvenserna för att radion ska kunna hitta tillgängliga stationer.

- Tryck på auto-stationsinställningsknappen.
- Din radio utför nu en full sökning av DAB-frekvenserna. Allteftersom nya stationer hittas, ökar stationsräknaren till vänster på displayen och stationer läggs till i listan.

Manuell stationsinställning – DAB

Manuell stationsinställning låter dig ställa in din radio till en bestämd DAB-frekvens på Band III. Denna funktion kan också användas för att hjälpa dig att ställa in antennen eller radion för att optimera mottagningen för en speciell kanal eller frekvens.

- Tryck på knappen för avancerad inställning och vrid Volym/Stationsinställning/Val-ratten tills "Manual Tune" visas på displayen. Tryck på Volym/Stationsinställning/Val-ratten för att öppna manuellt stationsinställningsläge.
- Vrid Volym/Stationsinställning/Val-ratten för att välja önskad DAB-kanal. Tryck på Volym/Stationsinställning/Val-ratten för att bekräfta vald frekvens.

Ställ in stationsordning – DAB

Din radio har 3 stationsordningsinställningar från vilka du kan välja. Stationsordningsinställningarna är alfanumerisk, ensemble och giltig station.

1. Tryck på knappen för avancerad inställning.
2. Vrid Volym/Stationsinställning/Val-ratten tills "Station order" visas på displayen, tryck sedan på Volym/Stationsinställning/Val-ratten för att öppna inställningen.
3. Vrid Volym/Stationsinställning/Val-ratten för att välja följande alternativ och tryck på ratten för att bekräfta inställningen.

Alfanumerisk	Sorterar stationslistan alfanumeriskt 0...9 A...Z
Ensemble	Organiserar stationslistan med DAB-multiplex
Giltig	Visar endast de stationer där en signal hittas

Dynamisk omfångskontroll av ljud (DRC) – DAB

DRC-funktionen kan göra lägre ljud lättare att höra när din radio används på en bullrig plats genom att minska ljudsignalens dynamiska omfång. Det finns tre nivåer av komprimering:

DRC 0	Ingen komprimering tillämpas.
DRC 1/2	Medelkomprimering tillämpas.
DRC 1	Maximal komprimering tillämpas.

1. Tryck på strömbrytaren för att slå på radion.
2. Tryck på bandknappen för att välja DAB-bandet.
3. Tryck på knappen för avancerad inställning och vrid Volym/Stationsinställning/Val-ratten tills "DRC Value" visas på displayen. Tryck sedan på Volym/Stationsinställning/Val-ratten för att öppna inställningen. Displayen visar aktuellt DRC-värde.
4. Vrid Volym/Stationsinställning/Val-ratten för att välja önskad DRC-inställning.
5. Tryck på Volym/Stationsinställning/Val-ratten för att bekräfta inställningen.

Automatisk stationsinställning – FM

1. Tryck på strömbrytaren för att slå på radion.
2. Välj önskat frekvensband genom att trycka på bandknappen. Kontrollera att antennen har placerats för bästa FM-mottagning. Försök undvika att använda radion intill en dataskärm och annan utrustning som orsakar radiostörningar.
3. Tryck på auto-stationsinställningsknappen och radion söker och stoppar automatiskt när den hittar en radiostation. Radion fortsätter att söka efter nästa tillgängliga station om inte användaren trycker på auto-stationsinställningsknappen för att stoppa sökningen.
4. Vrid Volym/Stationsinställning/Val-ratten för att få önskad ljudnivå. Förändringar i ljudstyrka visas på LCD-displayen.

Obs:

För att hitta önskad station genom att använda Volym/Stationsinställning/Val-ratten ska du trycka på och håll in Volym/Stationsinställning/Val-ratten för att växla till stationsinställningsläget.

5. Tryck på strömbrytaren för att stänga av radion.

FM sökområde

Vid användning av FM-läge kan din radio ställas in så att den söker antingen lokala stationer eller alla stationer inklusive avlägsna radiostationer.

Manuell stationsinställning – FM

1. Tryck på strömbrytaren för att slå på radion.
2. Tryck på bandknappen för att välja önskat frekvensband.
Justera antennen enligt instruktionerna ovan.
3. Genom att vrida Volym/Stationsinställning/Val-ratten ändras frekvensen enligt följande:

FM: 50 eller 100 kHz

Obs:

För att hitta önskad station genom att använda Volym/Stationsinställning/Val-ratten ska du trycka på och håll in Volym/Stationsinställning/Val-ratten för att växla till stationsinställningsläget.

4. Fortsätt vrida på Volym/Stationsinställning/Val-ratten tills önskad frekvens visas på displayen.
5. Vrid Volym/Stationsinställning/Val-ratten för att få önskad ljudnivå.
6. Tryck på strömbrytaren för att stänga av radion.

Visningslägen – FM

Radion har en rad av visningsalternativ för FM-radioläge: Tryck uppregade gånger på infoknappen för att gå igenom de olika alternativen.

- | | |
|------------------------|--|
| a. Programstation | Visar namnet på den station du lyssnar på. |
| b. Radiotext | Visar textmeddelanden såsom ny information etc. |
| b. Programtyp | Visar typen av station som du lyssnar på såsom pop, klassisk, nyheter etc. |
| d. Klockslag och datum | Visar aktuell tid och datum. |
| e. Frekvens | Visar frekvensen för FM-signalen. |

Spara stationer i förinställda minnen (DAB och FM)

Det finns 5 minnesförinställningar för varje våglängdsområde.

1. Tryck på strömbrytaren för att slå på radion.
2. Ställ in radion på önskad station med hjälp av de metoder som tidigare beskrivits.
3. Tryck och håll in önskad förinställningsknapp tills det förinställda numret visas på displayen t.ex. "P2 Saved". Stationen sparas sedan på förinställningsknappen.
4. Upprepa denna procedur för kvarvarande förinställningar.
5. Stationer som finns sparade i förinställda minnen kan skrivas över genom att följa procedurerna som beskrivits ovan.

Återkalla stationer i förinställda minnen (DAB och FM)

1. Tryck på strömbrytaren för att slå på radion.
2. Tryck på bandknappen för att välja önskat frekvensband.

- Tryck kort på önskad förinställningsknapp. Tryck på förinställningsnumret och stationsfrekvensen kommer upp på skärmen.

Språkalternativ (endast tillgängligt i DMR110)

Det finns åtta språkalternativ tillgängliga i radion: Engelska, tyska, italienska, franska, holländska, danska, norska och polska.

- Tryck på knappen för avancerad inställning.
- Vrid Volym/Stationsinställning/Val-ratten tills "Language" visas på displayen. Tryck på Volym/Stationsinställning/Val-ratten för att öppna inställningen.
- Vrid Volym/Stationsinställning/Val-ratten för att välja önskat språk. Tryck på Volym/Stationsinställning/Val-ratten för att bekräfta inställningen.

Ljusreglering

Displayens bakgrundslysjus kan justeras.

- Tryck på knappen för avancerad inställning.
- Vrid Volym/Stationsinställning/Val-ratten tills "Backlight" visas på displayen. Tryck på Volym/Stationsinställning/Val-ratten för att öppna inställningen.
- Vrid Volym/Stationsinställning/Val-ratten för att välja, aktivera eller inaktivera bakgrundslyset, tryck sedan på Volym/Stationsinställning/Val-ratten för att bekräfta inställningen.

Systemåterställning

Om din radio inte fungerar korrekt eller om några siffror på displayen saknas eller är ofullständiga, ska följande procedur utföras.

- Tryck på knappen för avancerad inställning.
- Vrid Volym/Stationsinställning/Val-ratten tills "Factory Reset" visas på displayen. Tryck på Volym/Stationsinställning/Val-ratten för att öppna inställningen.
- Vrid Volym/Stationsinställning/Val-ratten för att välja "Yes". Tryck på Volym/Stationsinställning/Val-ratten för att bekräfta inställningen och en full återställning utförs.

Mjukvaruversion

- Tryck på knappen för avancerad inställning.
- Vrid Volym/Stationsinställning/Val-ratten tills "SW Version" visas på displayen. Tryck på Volym/Stationsinställning/Val-ratten för att se vilken mjukvaruversion som är installerad i radion.

Mikro-USB-port för mjukvaruuppdatering

Mjukvaruuppdateringar för din radio kan finnas tillgängliga i framtiden.

När mjukvaruuppdateringar blir tillgängliga kan mjukvara och information om hur du uppdaterar din radio hittas på **Makitas webbplats**.

Så här spelar du upp andra ljudkällor

⚠ FÖRSIKTIGHET:

Koppla loss den här apparaten från elnätet innan du ansluter andra ljudkällor.

- Det finns 2 AUX IN-uttag. AUX IN 1 är placerat på framsidan och AUX IN 2 i batterifacket.
- Anslut en stereo- eller monokälla (dvs. iPod-, MP3- eller CD-spelare) till AUX IN 1 eller AUX IN 2 med en ljudkabel.
- Tryck uppregade gånger på bandknappen tills "AU1" eller "AU2" visas för att aktivera AUX-funktionen.

UNDERHÅLL

⚠ FÖRSIKTIGHET:

- Använd inte bensin, thinner, alkohol eller liknande. Missfärgning, deformation eller sprickor kan uppstå.

SPECIFIKATIONER

Strömkrav

AC-adapter	12 V DC, 1 A, mittstiftet positivt
Batteri	Klusterbatteri: 7,2 V - 10,8 V glidbatteri: 10,8 V - 18 V
Frekvensområde	FM 87,50–108 MHz DAB/DAB+ 174,928– 239,200 MHz
DAB/DAB+ kanalblock	DAB (Band III) 5A-13F
Kompatibel standard	DAB (DMR109) DAB/DAB+ (DMR110)

Egenskaper

Högtalare	3 tum, 8 ohm
Uteffekt	7,2 V: 0,5 W X 2 10,8 V: 1,2 W X 2 14,4 V: 2,2 W X 2 18 V: 3,5 W X 2
Ingång för extern enhet	3,5 mm dia. (AUX IN1/AUX IN2)
Antennsystem	DAB/FM: antenn
Mått (L x B x H) i mm	280 x 163 x 302
Vikt	4,0 kg (utan batteri)

NORSK (Originalinstruksjoner)

SYMBOLER

Nedenfor ser du symbolene som brukes for dette utstyret. Forsikre deg om at du forstår hva symbolene betyr før du begynner å bruke verktøyet.



..... Les bruksanvisningen.



..... Kun for EU-land

Kast aldri elektroutstyr eller batteripakker i husholdningsavfallet! I henhold til EU-direktiv 2002/96/EF om kasserte elektriske og elektroniske produkter og direktiv 2006/66/EF om batterier og akkumulatører og brukte batterier og akkumulatører, og deres iverksetting i nasjonal rett, må elektriske produkter og batteripakker som ikke lenger skal brukes, samles separat og returneres til et miljøvennlig gjenvinningsanlegg.

Cd
Ni-MH
Li-Ion

VIKTIGE SIKKERHETSINSTRUKSJONER

⚠ ADVARSEL:

Når du bruker elektrisk verktøy, må du alltid følge de grunnleggende sikkerhetsanvisningene, inklusive de nedenstående. Dette vil redusere faren for brann, elektrisk støt og personskader.

1. Les grundig gjennom denne bruksanvisningen og bruksanvisningen for laderen før bruk.
2. Rengjør bare med en ren klut.
3. Installer ikke nær varmekilder som for eksempel radiatorer, varmemålere, varmeovner eller annet utstyr (inkludert forsterkere) som produserer varme.
4. Bruk bare festeanordninger/tilleggsutstyr som er spesifisert av produsenten.
5. Trekk ut kontakten til apparatet ved lyn og torden, eller når apparatet ikke skal brukes over lengre tid.
6. En batteridrevet radio med integrerte batterier eller separat batteripakke må bare lades med den medfølgende laderen. En lader som passer til én batteritype, kan være brannfarlig når den brukes med en annen batteritype.
7. Bruk den batteridrevne radioen kun med spesifikt angitte batteripakker. Bruk av alle andre batterier kan føre til brannfare.
8. Når batteriet ikke er i bruk, må du holde det unna metallgjenstander som binders, mynter, nøkler, spiker, skruer og andre små metallgjenstander som kan skape forbindelse mellom de to polene. Hvis batteripolene kortsluttes, kan du få brannskader, eller det kan begynne å brenne.
9. Unngå kroppskontakt med jordede overflater, som rør, radiatorer, komfyrer og kjøleskap. Hvis kroppen din er jordet, er risikoen større for at du får elektrisk støt.
10. Hvis batteriet utsettes for hardhendt bruk, kan væske komme til å sprute fra batteriet. Unngå kontakt med væsken. Hvis du kommer i kontakt med batterivæske,

må du skylle med vann. Hvis du får batterivæske i øynene, må du i tillegg oppsøke lege. Væske fra batteriet kan forårsake irritasjon eller forbrenninger.

11. Støpselet til NETTSTRØM brukes som frakoblingsenhet, og skal være lett tilgjengelig.

TA VARE PÅ DISSE INSTRUKSJONENE

VIKTIGE SIKKERHETSANVISNINGER FOR BATTERI

1. Før du bruker batteriet, må du lese alle instruksjoner og advarsler på (1) batteriladeren, (2) batteriet og (3) det produktet batteriet skal brukes i.
2. Ikke ta fra hverandre batteriet.
3. Hvis driftstiden er blitt vesentlig kortere, må du omgående slutte å bruke verktøyet. Hvis du ikke gjør det, kan dette føre til overoppheting, mulige forbrenninger og til og med en eksplosjon.
4. Hvis du får elektrolytt i øynene, må du skylle øynene med store mengder rennende vann og oppsøke lege med én gang. Denne typen uhell kan føre til varig blindhet.
5. Ikke kortslutt batteriet.
 - (1) Ikke berør batteripolene med ledende materialer.
 - (2) Ikke lagre batteriet i samme beholder som andre metallgjenstander, som for eksempel spiker, mynter osv.
 - (3) Ikke la batteriet komme i kontakt med vann eller regn. Kortslutning av batteriet kan føre til kraftig strømstøt, overoppheting, mulig forbrenning – og til og med havari.

Kortslutning av batteriet kan føre til kraftig strømstøt, overoppheting, mulig forbrenning – og til og med havari.

6. Ikke lagre maskinen og batteriet på steder hvor temperaturen kan komme opp i 50 °C (122 °F) eller mer.
7. Ikke sett fyr på batteriet, heller ikke selv om det er sterkt skadet eller helt oppbrukt. Batteriet kan eksplodere hvis det begynner å brenne.
8. Vær forsiktig så du ikke mister batteriet eller utsetter det for slag.
9. Ikke bruk et skadet batteri.
10. De medfølgende litiumionbatteriene er underlagt kravene i lovgivningen for farlige varer. For kommersielle transporter f.eks. gjennom tredjeparter, transportører, må spesielle krav på pakning og merking overholdes. For klargjøring av gjensstanden som skal sendes, er det nødvendig å konsultere en ekspert for farlige materialer. Overhold også mulig mer detaljerte nasjonale forskrifter. Tape igjen eller masker åpne kontakter og pakk batteriet på en slik måte at det ikke kan bevege seg rundt inne i pakken.
11. Avhend batteriet i samsvar med lokale retningslinjer.

TA VARE PÅ DISSE INSTRUKSJONENE.

⚠ FORSIKTIG: Bruk kun originale Makita-batterier. Bruk av andre batterier enn originale Makita-batterier, eller batterier som har blitt endret, kan føre til at batteriet sprekker og forårsaker brann, personskader og materielle skader. Det vil også ugyldiggjøre Makitas garanti for Makita-verktøyet og -laderen.

- Strøm fra Makita batteripakke og medfølgende strømadapter

Tips for å opprettholde maksimal batterilevetid

1. Lad batteriet igjen før det er fullstendig utladet. Hold alltid opp å bruke verktøyet når du merker at det er lite strøm på batteriet. Sett batteriet til lading.
2. Et helt oppladet batteri må aldri settes til ny lading. Overopplading forkorter batteriets levetid.
3. Lad batteriet ved rom-temperatur på 10 °C - 40 °C (50 °F - 104 °F). Hvis batteriet er varmt, må det avkjøles før lading.
4. Lad batteriet hvis det ikke har vært brukt på mer enn seks måneder.

FORKLARING AV GENERELL VISNING (Fig. 1 - 12)

1. På/Av-knapp
2. Knapp for båndfrekvens
3. Knapp for avanserte innstillinger
4. Info-knapp
5. Forhåndsinnstillingsknapp
6. Autoinnstillingsknapp
7. Volum-/innstillingskontroll-/valgknapp
8. Likestrømsinngang
9. AUX IN 1
10. LCD-skjerm
11. Gummiantenne
12. Håndtak
13. Batteriromsdeksel (dekker batteriet)
14. Høytaler
15. Lås til batterirom
16. Inngangsterminal (AUX IN 2)
17. Micro USB-port for oppgradering av programvare
18. Batterirom
19. Rød indikator
20. Knapp
21. Batteri
22. Indikatorlamper
23. Kontrollknapp

FUNKSJONER

- FM/DAB (DMR109)
- FM/DAB eller DAB+ (DMR110)
- Stor, opplyst LCD-skjerm
- Manuell innstilling / forhåndsinnstilling / skanneinnstilling
- Roteringsinnstilling og lydkontroll
- Fem forhåndsinnstilte kanaler for hver båndfrekvens
- Micro USB-port for oppgradering av programvare
- Stereohøytaler for rik lydopplevelse
- Ultrasolid utforming
- Vannfast etter IP64

DRIFTSTID

Følgende tabeller indikerer driftstid med et fulladet batteri.

Batterikapasitet	Batterispenning					Ved høyttalereffekt = 50 mW + 50 mW Enhet: Time (omtrentlig)
	7,2 V	10,8 V	10,8 V - 12 V maks.	14,4 V	18 V	
1,0 Ah	BL7010					4,5 timer
1,3 Ah		BL1013				5,5 timer
				BL1415		5,0 timer
1,5 Ah					BL1815	6,0 timer
	BL0715					6,5 timer
			BL1015/ BL1016			8,0 timer
				BL1415N		7,0 timer
2,0 Ah					BL1815N	7,5 timer
			BL1020B/ BL1021B		BL1820 BL1820B	10 timer
3,0 Ah				BL1430 BL1430B		11 timer
					BL1830 BL1830B	14 timer
4,0 Ah			BL1040B/ BL1041B		BL1840 BL1840B	20 timer
				BL1440		18 timer
5,0 Ah				BL1450		22 timer
					BL1850 BL1850B	25 timer
6,0 Ah				BL1460B		24 timer
					BL1860B	31 timer

 : Klasebatteri  : Glidebatteri

* Driftstiden er basert på drift i DAB/DAB+ på én enkelt lading.

* Driftstiden kan variere avhengig av batteritype, ladestatus og bruksforhold.

INSTALLASJON

Sette inn eller fjerne glidebatteriet (Fig. 4 - 6)

FORSIKTIG:

Slå alltid av radioen før du fjerner batteriet.

- Når du skal sette inn batteriet, må du plassere tungen på batteriet på linje med sporet i huset og skyve batteriet på plass. Batteriet må alltid skyves helt inn til det går på plass med et lite klikk.
- Hvis du kan se den røde indikatoren på oversiden av knappen, har batteriet ikke gått skikkelig i lås. Sett batteriet helt inn til den røde indikatoren ikke lenger er synlig. Hvis dette ikke gjøres, kan batteriet komme til å falle ut av radioen og skade deg eller andre som oppholder seg i nærheten.
- Ikke bruk makt når du setter inn batteriet. Hvis batteriet ikke glir lett inn, er det fordi det ikke settes inn på riktig måte.
- For å ta ut batteriet må du skyve på knappen foran på batteriet og trekke det ut eller trykke på knappene på begge sider av batteriet.

Sett låsen til batterirommet tilbake i opprinnelig posisjon. Redusert kraft, forvrengning og en "hakkete lyd" er tegn på at batteriet må byttes ut.

Merk:

Batteriet kan ikke lades opp med den medfølgende vekselstrøm-adapteren.

Sette inn eller fjerne klasebatteriet (Fig. 7 og 8)

FORSIKTIG:

Slå alltid av radioen før du fjerner batteriet.

- Når du skal sette inn batteriet, må du plassere tungen på batteriet på linje med sporet i huset og skyve batteriet på plass.
- For å ta ut batteriet, skyv det fra terminalen mens knappen på siden av batteriet trykkes ned.

Sett låsen til batterirommet tilbake i opprinnelig posisjon. Redusert kraft, forvrengning og en "hakkete lyd" er tegn på at batteriet må byttes ut.

Merk:

Batteriet kan ikke lades opp med den medfølgende vekselstrøm-adapteren.

Indikere gjenværende batterikapasitet

(Fig. 9)

Kun for batterier med "B" på slutten av modellnummeret. Trykk på kontrollknappen på batteriet for å indikere resterende batterikapasitet. Indikatorlampene lyser opp i noen sekunder.

Indikatorlamper			Gjenværende kapasitet
Lyser	Av	Blinker	
■	□	▧	75% to 100%
■	■	■	
■	■	□	50% to 75%
■	■	□	25% to 50%
■	□	□	0 % to 25%
▧	□	□	Lad batteriet.
■	■	□	Batteriet kan ha sviktet.
□	□	■	

Merk:

- Visningen kan variere litt fra den faktiske kapasiteten avhengig av bruksforholdene og temperaturen.

Installere gummiantennen (Fig. 10 og 11)

Installer gummiantennen som vist på figuren.

Merk:

Det er et siderom i batterirommet som er ment for oppbevaring av den fjernede antennen.

Bruke den medfølgende vekselstrømadapteren (Fig. 12)

Fjern gummibeskyttelsen, og sett inn adapterpluggen i likestrømsinngangen på fremsiden av radioen. Plugg adapteren inn i et standard hovedstrømuttak. Når adapteren brukes, kobles batteriet automatisk fra. Vekselstrømadapteren skal kobles fra hovedstrømforsyningen når den ikke er i bruk.

DRIFT

Denne radioen har tre innstillingsmetoder – Skanneinnstilling, Manuell innstilling og Fremhenting via minne.

Velge en kanal – DAB

1. Trykk på På/Av-knappen for å slå på radioen.
2. Velg DAB-modus ved å trykke på knappen for båndfrekvens.
3. Trykk på knappen for avanserte innstillinger, og vri på volum-/innstillingskontroll-/valgknappen til "Station List" blinker på skjermen. Trykk ned volum-/innstillingskontroll-/valgknappen for å se listen over kanaler.

4. Vri på volum-/innstillingskontroll-/valgknappen for å gå gjennom listen over kanaler. Trykk på knappen for å velge kanal.
5. Juster ønsket volum ved å rotere volum-/innstillingskontroll-/valgknappen.

Visningsmodi – DAB

Radioen har en rekke visningsalternativer i DAB-modus: Trykk på Info-knappen for å bla gjennom de forskjellige alternativene som vises under følgende bokstaver (a. til g.).

- a. Kanalnavn Viser navnet til kanalen du lytter til.
- b. Programtype Viser hvilken type kanal du lytter til, f.eks. Pop, Klassisk, Nyheter osv.
- c. Multipleksnavn Viser navnet på DAB-multiplekset som kanalen tilhører.
- d. Tid og dato Viser tidspunkt og dato.
- e. Frekvens og kanal Viser frekvens og kanalnummer for DAB-kanalen du lytter til.
- f. Bithastighet/lydtype Viser bithastigheten for digital lyd og lydtype for DAB-kanalen du lytter til.
- g. Signalstyrke Viser signalstyrken for DAB-kanalen du lytter til.

Finne nye kanaler – DAB

Nye DAB-kanaler kan bli tilgjengelige fra tid til annen. Eller du kan ha flyttet til et nytt område. I dette tilfellet må du kanskje få radioen til å søke etter nye kanaler. Hvis du vil få radioen til å finne tilgjengelige kanaler, anbefales det at du utfører en fullstendig skanning av alle DAB-bånd III-frekvensene.

1. Trykk på autoinnstillingsknappen.
2. Radioen vil utføre en fullstendig skanning av DAB-frekvenser. Etter hvert som nye kanaler blir funnet, vil kanal telleren til venstre på skjermen øke og kanaler vil bli lagt til i listen.

Manuell innstilling – DAB

Med manuell innstilling kan du stille inn radioen til en bestemt DAB-frekvens i bånd III. Denne funksjonen kan også brukes til å avgjøre plassering av antennen eller radioen for å optimalisere mottak for en bestemt kanal eller frekvens.

1. Trykk på knappen for avanserte innstillinger, og vri på volum-/innstillingskontroll-/valgknappen til "Manual Tune" vises på skjermen. Trykk ned volum-/innstillingskontroll-/valgknappen for å gå inn i modus for manuell innstilling.
2. Roter volum-/innstillingskontroll-/valgknappen for å velge ønsket DAB-kanal. Trykk ned volum-/innstillingskontroll-/valgknappen for å bekrefte den valgte frekvensen.

Konfigurasjon av kanalrekkefølge – DAB

Radioen har 3 innstillinger for kanalrekkefølge som du kan velge mellom. Valgene er alfanumeric, ensemble og valid station.

1. Trykk på knappen for avanserte innstillinger.
2. Vri på volum-/innstillingskontroll-/valgknappen til "Station order" vises på skjermen, og klikk deretter på

volum-/innstillingskontroll-/valgknappen for å gå inn i innstillingen.

3. Vri på volum-/innstillingskontroll-/valgknappen for å velge mellom følgende alternativer og trykk ned knappen for å bekrefte innstillingen.

Alfanumerisk	Sorterer kanallisten alfanumerisk 0...9 A...Z
Ensemble	Organiserer kanallisten etter DAB multiplex
Gyldig	Viser kun de kanalene som det finnes et signal for

Kontroll for dynamisk område (DRC) – DAB

DRC-funksjonen kan gjøre det enklere å høre svake lyder når radioen brukes i et støyende miljø ved å redusere det dynamiske spekteret til lydsignalet. Det er tre nivåer av komprimering:

DRC 0	Ingen komprimering brukes.
DRC 1/2	Medium komprimering brukes.
DRC 1	Maksimal komprimering brukes.

1. Trykk på På/Av-knappen for å slå på radioen.
2. Trykk på knappen for båndfrekvens for å velge DAB-bånd.
3. Trykk på knappen for avansert innstilling, og vri på volum-/innstillingskontroll-/valgknappen til "DRC Value" vises på skjermen. Trykk deretter ned volum-/innstillingskontroll-/valgknappen for å gå inn i innstillingen. Skjermen vil vise gjeldende DRC-verdi.
4. Roter volum-/innstillingskontroll-/valgknappen for å velge ønsket innstilling for DRC.
5. Trykk ned volum-/innstillingskontroll-/valgknappen for å bekrefte innstillingen.

Skanneinnstilling – FM

1. Trykk på På/Av-knappen for å slå på radioen.
2. Velg ønsket båndfrekvens ved å trykke på knappen for båndfrekvens. Kontroller at gummiantennen er godt plassert for best mulig FM-mottak. Prøv å unngå bruk av radioen i nærheten av en dataskjerm og annet utstyr som kan forårsake interferens.
3. Trykk på autoinnstillingsknappen så vil radioen søke og stoppe automatisk når den finner en radiokanal. Radioen vil fortsette å søke etter neste tilgjengelige kanal med mindre brukeren trykker på autoinnstillingsknappen for å stoppe skanningen.
4. Roter volum-/innstillingskontroll-/valgknappen for å velge ønsket lydnivå. LCD-skjermen vil indikere det endrede lydnivået.

Merk:

For å bruke volum-/innstillingskontroll-/valgknappen for å finne ønsket kanal, trykk og hold nede volum-/innstillingskontroll-/valgknappen for å endre til modus for innstillingskontroll.

5. For å slå av radioen, trykk på På/Av-knappen.

Skanningssone for FM

Når du bruker FM-modus, kan radioen stilles inn til å skanne enten lokale kanaler eller til å skanne alle kanaler inkludert fjerne radiokanaler.

Manuell innstilling – FM

1. Trykk på På/Av-knappen for å slå på radioen.
 2. Trykk knappen for båndfrekvens for å velge ønsket båndfrekvens. Juster antennen som beskrevet ovenfor.
 3. En enkelt dreining av volum-/innstillingskontroll-/valgknappen vil endre frekvensen i følgende intervaller:
FM: 50 eller 100 kHz
- Merk:**
For å bruke volum-/innstillingskontroll-/valgknappen for å finne ønsket kanal, trykk og hold nede volum-/innstillingskontroll-/valgknappen for å endre til modus for innstillingskontroll.
4. Fortsett å vri på volum-/innstillingskontroll-/valgknappen inntil ønsket frekvens vises på skjermen.
 5. Roter volum-/innstillingskontroll-/valgknappen for å velge ønsket lydnivå.
 6. For å slå av radioen, trykk på På/Av-knappen.

Visningsmodi – FM

Radioen har en rekke visningsalternativer for FM-radiomodus.

Trykk på Info-knappen flere ganger for å bla gjennom de forskjellige valgene.

- a. Programkanal Viser navnet til kanalen du lytter til.
- b. Radiotekst Viser en tekstmelding, f.eks. nye elementer osv.
- c. Programtype Indikerer hvilken type kanal du lytter til, for eksempel Pop, Klassisk, Nyheter og så videre.
- d. Tid og dato Viser tidspunkt og dato.
- e. Frekvens Indikerer frekvensen for FM-signalet.

Lagre kanaler i forhåndsinnstilte minner (DAB og FM)

Det finnes 5 forhåndsinnstilte minner for hver båndfrekvens.

1. Trykk på På/Av-knappen for å slå på radioen.
2. Vri til ønsket kanal ved hjelp av en av de tidligere beskrevne metodene.
3. Trykk og hold nede ønsket forhåndsinnstillingsknapp til forhåndsinnstillingstallet som vises på skjermen, for eksempel "P2 Saved". Kanalen lagres deretter i den valgte forhåndsinnstillingsknappen.
4. Gjenta denne framgangsmåten for resten av forhåndsinnstillingene.
5. Kanaler som er lagret i forhåndsinnstilte minner, kan overskrives ved å følge ovennevnte framgangsmåte.

Velge kanaler i forhåndsinnstilte minner (DAB og FM)

1. Trykk på På/Av-knappen for å slå på radioen.
2. Trykk knappen for båndfrekvens for å velge ønsket båndfrekvens.
3. Trykk på ønsket forhåndsinnstillingsknapp et øyeblikk. Det forhåndsinnstilte sifferet og stasjonsfrekvensen vil vises i displayet.

Språkalternativer (bare tilgjengelig i DMR110)

Det finnes åtte alternativer for språk i radioen: Engelsk, tysk, italiensk, fransk, nederlandsk, dansk, norsk og polsk.

1. Trykk på knappen for avanserte innstillinger.
2. Fortsett å vri på volum-/innstillingskontroll-/valgknappen inntil "Language" vises på skjermen. Trykk ned volum-/innstillingskontroll-/valgknappen for å bekrefte innstillingen.
3. Roter volum-/innstillingskontroll-/valgknappen for å velge ønsket språk. Trykk ned volum-/innstillingskontroll-/valgknappen for å bekrefte innstillingen.

Lysstyrkekontroll

Bakgrunnsløset på skjermen kan justeres.

1. Trykk på knappen for avanserte innstillinger.
2. Fortsett å vri på volum-/innstillingskontroll-/valgknappen inntil "Backlight" vises på skjermen. Trykk ned volum-/innstillingskontroll-/valgknappen for å bekrefte innstillingen.
3. Vri på volum-/innstillingskontroll-/valgknappen til for å slå bakgrunnsløset av eller på, og klikk deretter på volum-/innstillingskontroll-/valgknappen for å gå inn i innstillingen.

Tilbakestilling av systemet

Hvis radioen din ikke fungerer riktig eller enkelte siffer på skjermen mangler eller er ufullstendige, utfør følgende.

1. Trykk på knappen for avanserte innstillinger.
2. Fortsett å vri på volum-/innstillingskontroll-/valgknappen inntil "Factory Reset" vises på skjermen. Trykk ned volum-/innstillingskontroll-/valgknappen for å bekrefte innstillingen.
3. Roter volum-/innstillingskontroll-/valgknappen for å velge "Yes". Trykk volum-/innstillingskontroll-/valgknappen for å bekrefte innstillingen, og en full tilbakestilling vil bli utført.

Programvareversjon

1. Trykk på knappen for avanserte innstillinger.
2. Fortsett å vri på volum-/innstillingskontroll-/valgknappen inntil "SW Version" vises på skjermen. Trykk på volum-/innstillingskontroll-/valgknappen for å vise programvareversjonen som er installert på radioen.

Micro USB-port for oppgradering av programvare

Programvareoppdateringer for radioen kan bli tilgjengelige i fremtiden.

Når programvareoppdateringer blir tilgjengelige vil programvare og informasjon om hvordan du oppdaterer radioen finnes på **Makitas nettside**.

Slik spiller du av fra andre lydtkilder

FORSIKTIG:

Koble fra dette apparatet før du kobler til andre lydtkilder.

- Det er 2 AUX IN-inganger. AUX IN 1 er plassert på frontpanelet og AUX IN 2 er plassert i batterirommet.

- Koble stereo- eller monokilder (f.eks. iPod-, MP3- eller CD-spiller) enten til AUX IN 1 eller AUX IN 2 med en lydtkabel.
- Trykk på knappen for båndfrekvens flere ganger inntil "AU1" eller "AU2" vises. AUX-funksjonen er nå aktivert.

VEDLIKEHOLD

FORSIKTIG:

- Aldri bruk gasolin, bensin, tynner, alkohol eller lignende. Det kan føre til misfarging, deformering eller sprekkdannelse.

SPESIFIKASJONER

Strømkrav

Vekselstrømadapter	DC 12 V 1 A, midtre pinne positiv
Batteri	Klasebatteri: 7,2 V – 10,8 V Glidebatteri: 10,8 V – 18 V
Frekvensområde	FM 87,50 – 108 Mhz DAB/DAB+ 174.928 - 239.200 MHz
DAB/DAB+ Kanalblokk	DAB (Bånd III) 5A-13F
Kompatibel standard	DAB (DMR109) DAB/DAB+ (DMR110)

Kretslepfunksjon

Høyttaler	3 tommer 8 ohm
Utgangseffekt	7,2 V: 0,5 W x 2 10,8 V: 1,2 W x 2 14,4 V: 2,2 W x 2 18 V: 3,5 W x 2
Inngangsterminal	3,5 mm diameter (AUX IN1/ AUX IN2)
Antennesystem	DAB/FM: gummantenne
Mål (L x B x H) i mm	280 x 163 x 302
Vekt	4,0 kg (uten batteri)

SUOMI (Alkuperäiset ohjeet)

SYMBOLIT

Laitteessa on käytetty seuraavia symboleja. Varmista ennen käyttöä, että ymmärrät niiden merkityksen.



..... Lue käyttöohje.



Cd
Ni-MH
Li-Ion

..... Koskee vain EU-maita

Älä hävitä sähkölaitteita tai akkuja tavallisen kotitalousjätteen mukana! Sähkö- ja elektroniikkalaiteromua koskevan EU-direktiivin 2002/96/EY ja paristoja ja akkuja sekä käytettyjä paristoja ja akkuja koskevan direktiivin 2006/66/EY ja näiden maakohtaisten sovellusten mukaisesti käytetyt sähkölaitteet ja akut on toimitettava ongelmajätteen keräyspisteeseen ja ohjattava ympäristöstävälliseen kierrätykseen.

TÄRKEITÄ TURVALLISUUSOHJEITA

VAROITUS:

Sähkötyökaluja käytettäessä on tulipalo-, sähköisku- ja loukkaantumisriskin pienentämiseksi huolehdittava aina muun muassa seuraavista perusvaroitomisista:

1. Lue tämä käyttöopas ja laturin käyttöopas huolellisesti ennen käyttöä.
2. Puhdista laite vain kuivalla liinalla.
3. Älä asenna lämmönlähteiden, esimerkiksi lämpöpatterien, lämmityskanavien, uunien tai muiden lämpöä tuottavien laitteiden (esimerkiksi vahvistimien) lähelle.
4. Käytä vain valmistajan suosittelemia lisävarusteita ja laitteita.
5. Irrota laitteen virtajohto pistorasiasta ukkosmyrskyn ajaksi tai jos laitetta ei käytetä pitkään aikaan.
6. Kiinteällä tai irrallisella akulla varustetun akkukäyttöisen työmaaradiota saa ladata vain kyseiselle akulle tarkoitetulla laturilla. Tietyn tyyppiselle akulle sopiva laturi voi aiheuttaa tulipalovaaran, jos sitä käytetään toisentyyppisen akun kanssa.
7. Käytä akkukäyttöistä työmaaradiota vain valmistajan ohjeiden mukaisten akkujen kanssa. Muiden akkujen käyttö voi aiheuttaa tulipalon.
8. Kun akku ei ole käytössä, pidä se erillään metalliesineistä, esimerkiksi paperiliittimistä, kolikoista, avaimista, nautoista, ruuveista ja muista pienistä metalliesineistä, jotka voivat aiheuttaa oikosulun napojen välillä. Akun napojen oikosulkeminen voi aiheuttaa palovamman tai tulipalon.
9. Vältä vartaloa kosketusta maadoitettuihin pintoihin, kuten putkiin, lämpöpattereihin, liesiin ja jääkaappeihin. Sähköiskun vaara kasvaa, jos vartaloa on maadoitettu.
10. Akusta voi vuotaa nestettä, jos sitä käsitellään väärin. Vältä kosketusta. Jos nestettä pääsee iholle vahingossa, huuhtelee iho vedellä. Jos nestettä pääsee

silmiin, hakeudu lääkärin hoitoon. Akkunesteet voivat ärsyttää ihoa tai aiheuttaa palovammoja.

11. Laitteen virta katkaistaan irrottamalla virtajohto, ja sen on oltava aina käytettävissä.

SÄILYTÄ NÄMÄ OHJEET


AKKUA KOSKEVIA TÄRKEITÄ TURVAOHJEITA

1. Tutustu ennen akun käyttöönottoa kaikkiin lakkuaaturissa (1), akussa (2) ja akkukäyttöisessä tuotteessa (3) oleviin varoitusteksteihin.
2. Älä pura akkuja.
3. Jos akun toiminta-aika lyhenee merkittävästi, lopeta akun käyttö. Seurauksena voi olla ylikuumentuminen, palovammoja tai jopa räjähdys.
4. Jos elektrolyyttiä pääsee silmiin, huuhtelee puhtaalla vedellä ja hakeudu heti lääkärin hoitoon. Seurauksena voi olla sokeutuminen.
5. Älä saata akkuja oikosulkuun:
 - (1) Älä koske akun napoihin millään sähköä johtavalla materiaalilla.
 - (2) Älä säilytä akkuja yhdessä muiden metalliesineiden, kuten nautojen, kolikoiden yms. kanssa.
 - (3) Älä altista akkuja vedelle tai sateelle. Akun oikosulku voi aiheuttaa voimakkaan sähkövirran, ylikuumentumisen, palovammoja ja jopa laitteen rikkoutumisen.

Акун оikosulku voi aiheuttaa voimakkaan sähkövirran, ylikuumentumisen, palovammoja ja jopa laitteen rikkoutumisen.

6. Älä säilytä työkalua ja akkuja paikassa, jossa lämpötila voi nousta 50 °C:seen tai sitäkin korkeammaksi.
7. Älä hävitä akkuja polttamalla, vaikka se olisi pahoin vaurioitunut tai täysin loppuun kulunut. Avotuli voi saada akun räjähtämään.
8. Varo kolhimasta tai pudottamasta akkuja.
9. Älä käytä vahingoittunutta akkuja.
10. Laitteessa olevia litiumioniakkuja on käsiteltävä vaarallisia aineita koskevien säästösten mukaisesti. Esimerkiksi kolmansien osapuolten tai huolintaliikkeiden tekemissä kaupallisissa kuljetuksissa on otettava huomioon pakkausta ja pakkausmerkintöjä koskevat erityisvaatimukset. Ennen tuotteen valmistelua lähetystä varten on kysyttävä neuvoa vaarallisten aineiden kuljetuksen asiantuntijalta. Ota huomioon myös mahdolliset maakohtaiset määräykset. Teippaa akun avonaiset liittimet umpeen tai suojaa ne muulla tavoin ja pakkaa akku siten, ettei se pääse liikkumaan pakkauksessa.
11. Hävitä akku paikallisten määräysten mukaisesti.

SÄILYTÄ NÄMÄ OHJEET.

 **HUOMIO:** Käytä vain aitoja Makita-akkuja. Jos laitteessa käytetään muita kuin Makita-akkuja tai jos käytettävään akkuun on tehty muutoksia, seurauksena voi olla akun hajoaminen, mikä voi aiheuttaa tulipalon, henkilövahinkoja ja aineellisia vahinkoja. Se myös mitätöi Makitan työkalulle ja laturille annetun Makita-takuun.

Vihjeitä akun käyttöön pidentämiseksi

1. Lataa akku ennen kuin se ehtii purkautua kokonaan. Lopeta työkalun käyttö ja lataa akku aina, kun huomaat tehon heikkenevän.
2. Älä koskaan lataa täyttä akkua. Ylilataus lyhentää akun käyttöikää.
3. Lataa akku huoneenlämmössä 10–40 °C. Anna kuumen akun jäähtyä ennen lataamista.
4. Lataa akku, jos sitä ei käytetä pitkään aikaan (yli kuuteen kuukauteen).

KAAVAKUVAN SELITYS (kuva 1–12)

1. Virtapainike
2. Aaltoalueen valintapainike
3. Lisäasetuspainike
4. Infopainike
5. Esivalintapainike
6. Automaattivirityspainike
7. Äänenvoimakkuus-, viritys- ja valintasäädin
8. DC IN -liitäntä
9. AUX IN 1 -liitäntä
10. LCD-näyttö
11. Piiska-antenni
12. Kahva
13. Akkutilan kansi (peittää akun)
14. Kaiutin
15. Akkutilan lukitsin
16. Tuloliitäntä (AUX IN 2)
17. Micro USB -liitäntä ohjelmistopäivitystä varten
18. Akkutila
19. Punainen ilmaisin
20. Painike
21. Akku
22. Merkkivalot
23. Tarkistuspainike

OMINAISUUDET

- FM/DAB (DMR109)
- FM/DAB tai DAB+ (DMR110)
- Suuri valaistu LCD-näyttö
- Viritys manuaalisesti/esivalinnoilla/hakutoiminnolla
- Viritys ja äänenvoimakkuuden säätö nuppia kiertämällä
- 5 esivalittua asemaa kullakin aaltoalueella
- Micro USB -liitäntä ohjelmistopäivitystä varten
- Hyvän äänentoiston tarjoava stereokaiutin
- Erittäin kestävä rakenne
- Vesitiiviys IP64
- Virtalähteenä sekä Makitan akku että mukana toimitettu muuntaja

Käyttöaika

Seuraavissa taulukoissa kerrotaan käyttöajat täyteen ladatulla akulla.

Akun varaus	Akun jännite					Kun kaiuttimen lähtöteho on 50 mW ± 50 mW Yksikkö: Tuntia (noin)
	7,2 V	10,8 V	10,8 V - 12 V maks.	14,4 V	18 V	
1,0 Ah	BL7010					4,5 tuntia
1,3 Ah		BL1013				5,5 tuntia
				BL1415		5,0 tuntia
1,5 Ah					BL1815	6,0 tuntia
	BL0715					6,5 tuntia
			BL1015/ BL1016			8,0 tuntia
				BL1415N		7,0 tuntia
2,0 Ah					BL1815N	7,5 tuntia
2,0 Ah			BL1020B/ BL1021B		BL1820 BL1820B	10 tuntia
				BL1430 BL1430B		11 tuntia
3,0 Ah					BL1830 BL1830B	14 tuntia
			BL1040B/ BL1041B		BL1840 BL1840B	20 tuntia
4,0 Ah				BL1440		18 tuntia
				BL1450		22 tuntia
5,0 Ah					BL1850 BL1850B	25 tuntia
				BL1460B		24 tuntia
6,0 Ah					BL1860B	31 tuntia

: Ryhmäakku : Liukulukitusakku

* Toiminta-aika perustuu käyttöön DAB/DAB+-tilassa yhdellä latauksella.

* Toiminta-aika voi vaihdella akun tyyppiin, lataustilan ja käyttöolosuhteiden mukaan.

ASENNUS

Liukulukitusakun kiinnitys ja irrotus (kuva 4–6)

HUOMIO:

Sammuta radio aina ennen akun irrottamista.

- Kiinnitä akku sovittamalla akun kielele kotelon uraan ja työntämällä akku sitten paikoilleen. Työnnä akku pohjaan asti niin, että kuulet sen napsahavan paikoilleen.
- Jos painikkeen yläpuolella näkyy punainen ilmaisin, akku ei ole lukkiutunut täysin paikoilleen. Työnnä akku pohjaan asti, niin että ilmaisin ei enää näy. Jos akku ei ole kunnolla paikallaan, se voi pudota radiosta ja aiheuttaa vammoja joko käyttäjälle tai sivullisille.
- Älä käytä voimaa, kun kiinnität akkua paikalleen. Jos akku ei mene paikalleen helposti, se on väärässä asennossa.
- Irrota akku vetämällä se ulos radiosta painaen samalla akun etupuolella olevaa painiketta tai molemmilla puolilla olevia painikkeita.

Palauta akkutilan lukitsin alkuperäiseen asentoonsa.

Tehon pieneneminen ja äänen vääristyminen tai katkeileminen ovat merkkejä siitä, että pääakku on tarpeen vaihtaa.

Huomautus:

Akkua ei voi ladata laitteen mukana toimitetulla verkkovirtasovittimella.

Ryhmäakun kiinnitys ja irrotus (kuva 7 & 8)

HUOMIO:

Sammuta radio aina ennen akun irrottamista.

- Akku kiinnitetään sovittamalla akun kielele kotelon uraan ja työntämällä se sitten paikoilleen.
- Irrota akku työkalusta painaen samalla akun sivuilla olevia painikkeita.

Palauta akkutilan lukitsin alkuperäiseen asentoonsa.









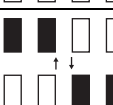
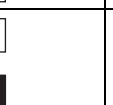
Tehon pieneneminen ja äänen vääristyminen tai katkeileminen ovat merkkejä siitä, että pääakku on tarpeen vaihtaa.

Huomautus:

Akkua ei voi ladata laitteen mukana toimitetulla verkkovirtasovittimella.

Akun jäljellä olevan varaustason ilmaisin (kuva 9)

Koskee vain akkuja, joiden mallinumeron lopussa on kirjain B
Painamalla akussa olevaa tarkistuspainiketta saat näkyviin akun jäljellä olevan varaustason. Merkkivalot palavat muutaman sekunnin ajan.

Merkkivalot			Varaustaso
 Palaa	 Ei pala	 Viikkuu	
			75–100 %
			50–75 %
			25–50 %
			0–25 %
			Lataa akku.
			Akussa voi olla toimintahäiriö.

Huomautus:

- Ilmoitettu varaustaso voi erota hieman todellisesta varaustasosta sen mukaan, millaisissa oloissa ja missä lämpötilassa laitetta käytetään.

Piiska-antennin asentaminen (kuva 10 & 11)

Asenna piiska-antenni kuvassa esitetyllä tavalla.

Huomautus:

Akkutilassa on säilytyspaikka irrotetulle antennille.

Mukana toimitetun verkkovirtasovittimen käyttö (kuva 12)

Irrota kuminen suojus ja työnnä sovittimen pistoke työmaaradion etupuolella olevaan DC-liitäntään. Liitä sovitin tavalliseen pistorasiaan. Kun verkkovirtasovittinta käytetään, akkuvirta kytkeytyy automaattisesti pois käytöstä. Verkkovirtasovitin tulee irrottaa pistorasiasta, kun sitä ei käytetä.

KÄYTTÖ

Radion voi virittää kolmella eri tavalla: hakutoiminnolla, manuaalisella virityksellä ja valitsemalla muistiin tallennettuja esivalittuja asemia.

Aseman valinta – DAB

- Kytke työmaaradioon virta painamalla virtapainiketta.
- Valitse DAB-tila painamalla aaltoalueen valintapainiketta.
- Paina lisäasetuspainiketta ja kierrä äänenvoimakkuus-, viritys- ja valintasäädintä, kunnes asemaluettelo (Station List) välkkyi näytössä. Siirry

asemaluettelon painamalla äänenvoimakkuus-, viritys- ja valintasäädintä.

- Selaa valittavissa olevien asemien luetteloa kiertämällä äänenvoimakkuus-, viritys- ja valintasäädintä. Valitse haluamasi asema painamalla säädintä.
- Säädi äänenvoimakkuus haluamaksesi kiertämällä äänenvoimakkuus-, viritys- ja valintasäädintä.

Näytön tilat – DAB

Työmaaradiossa on DAB-tilassa erilaisia näyttövaihtoehtoja:

Voit selata seuraavassa lueteltuja vaihtoehtoja (a–g) infopainikkeella.

- Aseman nimi Näyttää parhaillaan kuunneltavan aseman nimen.
- Ohjelman asema Näyttää parhaillaan kuunneltavan aseman tyyppin, esimerkiksi Pop, Klassinen, Uutiset jne.
- Kanavanipun nimi Näyttää DAB-kanavanipun, johon nykyinen asema kuuluu.
- Kellonaika ja päivämäärä Näyttää senhetkisen kellonajan ja päivämäärän.
- Taajuus ja kanava Näyttää parhaillaan viritettynä olevan DAB-aseman taajuuden ja kanavanumeron.
- Siirtonopeus/äänityyppi Näyttää parhaillaan viritettynä olevan DAB-aseman digitaalisen äänen siirtonopeuden ja äänityypin.
- Signaalin vahvuus Näyttää parhaillaan viritettynä olevan DAB-aseman signaalin vahvuuden.

Uusien asemien haku – DAB

Uusia DAB-radioasemia voi tulla aika ajoin saataville. Olet ehkä myös voinut muuttaa toiselle puolelle maata. Tällöin on ehkä tarpeen käynnistää uusien kanavien haku. Jotta työmaaradio löytäisi kaikki saatavilla olevat asemat, on suositeltavaa tehdä täydellinen haku kaikilla DAB-aaltoalueen III taajuuksilla.

- Paina automaattivirityspainiketta.
- Työmaaradio tekee kaikki DAB-taajuudet kattavan täydellisen haun. Kun uusia asemia löytyy, näytön vasemmassa reunassa olevan asemalaskurin lukema kasvaa ja uudet asemat lisätään luetteloon.

Manuaalinen viritys – DAB

Manuaalinen viritys mahdollistaa työmaaradion viritämisen tietylle aaltoalueen III DAB-taajuudelle. Toimintoa voidaan käyttää myös antennin tai työmaaradion suuntaamisen apuna siten, että tietty kanava tai taajuus saadaan kulumaan mahdollisimman hyvin.

- Paina lisäasetuspainiketta ja kierrä äänenvoimakkuus-, viritys- ja valintasäädintä, kunnes näytössä näkyvänä valintana on manuaalinen viritys (Manual Tune). Siirry manuaalisen virityksen tilaan

painamalla äänenvoimakkuus-, viritys- ja valintasäädintä.

2. Valitse haluamasi DAB-kanava kiertämällä äänenvoimakkuus-, viritys- ja valintasäädintä. Vahvista taajuuden valinta painamalla äänenvoimakkuus-, viritys- ja valintasäädintä.

Asemien järjestyksen määrittäminen – DAB

Työmaaradiossa on valittavana kolme asemajärjestystä. Asemajärjestysvaihtoehdot ovat aakkosnumeerinen, kanavanippu ja kuuluva asema.

1. Paina lisäasetuspainiketta.
2. Kierrä äänenvoimakkuus-, viritys- ja valintasäädintä, kunnes näytössä näkyvänä valintana on asemien järjestys (Station order).
3. Valitse jokin seuraavassa luetelluista asetuksista ja vahvista valinta kiertämällä äänenvoimakkuus-, viritys- ja valintasäädintä.

Alphanumeric (Aakkosnumeerinen)

Lajittelee asemaluettelon aakkosnumeerisesti (0...9 A...Z)

Ensemble (Nippu) Järjestää asemaluettelon DAB-kanavanippujen mukaan

Valid (Kuuluva) Näyttää vain ne asemat, joiden signaali löytyy

Dynamiikka-alueen hallinta (DRC) – DAB

DRC-toiminto auttaa parantamaan hiljaisten äänten kuuluvuutta meluisassa ympäristössä pienentämällä äänisignaalin dynamiikka-alueita. Pakkaustasoja on kolme:

DRC 0	Ei pakkausta
DRC 1/2	Keskitalon pakkaus
DRC 1	Suurin pakkaus

1. Kytke työmaaradioon virta painamalla virtapainiketta.
2. Valitse haluamasi DAB-aaltoalue painamalla aaltoalueen valintapainiketta.
3. Paina lisäasetuspainiketta ja kierrä äänenvoimakkuus-, viritys- ja valintasäädintä, kunnes näytössä näkyvänä valintana on DRC-arvo (DRC Value). Anna sitten haluamasi asetus painamalla äänenvoimakkuus-, viritys- ja valintasäädintä. Nykyinen DRC-arvo näkyy näytössä.
4. Valitse haluamasi DRC-asetus kiertämällä äänenvoimakkuus-, viritys- ja valintasäädintä.
5. Vahvista asetuksen valinta painamalla äänenvoimakkuus-, viritys- ja valintasäädintä.

Hakutoiminto – FM

1. Kytke työmaaradioon virta painamalla virtapainiketta.
2. Valitse haluamasi aaltoalue painamalla aaltoalueen valintapainiketta. Varmista, että piiska-antenni on hyvin sijoitettu, jotta FM-vastaanotto toimisi hyvin. Vältä työmaaradion käyttöä lähellä tietokoneen näyttöä tai muita laitteita, jotka voivat aiheuttaa häiriöitä radiovastaanottoon.
3. Kun painat automaattivirityspainiketta, radio aloittaa asemien haun. Kun asema löytyy, haku pysähtyy automaattisesti. Radio jatkaa asemien etsimistä, kunnes haku keskeytetään painamalla automaattivirityspainiketta.

4. Valitse haluamasi äänenvoimakkuus kiertämällä äänenvoimakkuus-, viritys- ja valintasäädintä. Äänenvoimakkuuden muutos näkyy LCD-näytössä.

Huomautus:

Voit hakea haluamaasi asemaa äänenvoimakkuus-, viritys- ja valintasäätimellä, kun siirryt ensin viritystilaan pitämällä äänenvoimakkuus-, viritys- ja valintasäädintä hetken aikaa painettuna.

5. Voit katkaista työmaaradiosta virran painamalla virtapainiketta.

FM-hakualue

Kun FM-tila on näytössä, työmaaradio voidaan asettaa hakemaan paikallisia tai kaikkia (myös kaukaisia) radioasemia.

Manuaalinen viritys – FM

1. Kytke työmaaradioon virta painamalla virtapainiketta.
2. Valitse haluamasi aaltoalue painamalla aaltoalueen valintapainiketta.

Säädä antenni edellä kerrotulla tavalla.

3. Äänenvoimakkuus-, viritys- ja valintasäätimen yksi kierros muuttaa taajuutta seuraavasti:
FM: 50 tai 100 kHz

Huomautus:

Voit hakea haluamaasi asemaa äänenvoimakkuus-, viritys- ja valintasäätimellä, kun siirryt ensin viritystilaan pitämällä äänenvoimakkuus-, viritys- ja valintasäädintä hetken aikaa painettuna.

4. Kierrä äänenvoimakkuus-, viritys- ja valintasäädintä, kunnes haluamasi taajuus näkyy näytössä.
5. Valitse haluamasi äänenvoimakkuus kiertämällä äänenvoimakkuus-, viritys- ja valintasäädintä.
6. Voit katkaista työmaaradiosta virran painamalla virtapainiketta.

Näytön tilat – FM

Työmaaradiossa on FM-radion tilassa erilaisia näyttövaihtoehtoja:

Voit selata vaihtoehtoja infopainikkeella.

- a. Ohjelman asema Näyttää parhaillaan kuunneltavan aseman nimen.
- b. RT-teksti Näyttää radion tekstiviestit, esimerkiksi uutisotsikot.
- c. Ohjelmatyyppi Näyttää kuunneltavan aseman tyyppin, esimerkiksi Pop, Klassinen, Utiset jne.
- d. Kellonaika ja päivämäärä Näyttää senhetkisen kellonajan ja päivämäärän.
- e. Taajuus Näyttää FM-signaalin taajuuden.

Asemien tallennus esivalintastiini (DAB ja FM)

Kummallakin aaltoalueella on 5 muistipaikkaa esivalittavia asemia varten.

1. Kytke työmaaradioon virta painamalla virtapainiketta.
2. Viritä haluamasi asema jollakin edellä kerrotuista tavoista.
3. Paina haluamaasi esivalintapainiketta, kunnes esivalintapaikan numero tulee näyttöön (esim. "P2

Saved"). Asema tallentuu sitten valitun esivalinpainikkeeseen kohtalle.

4. Toista nämä toimenpiteet muiden esivalintapainikkeiden kohtalla.
5. Esivalintamuistiin tallennetut asemat voidaan korvata toistamalla edellä kuvatut toimenpiteet.

Esivalittujen asemien käyttäminen (DAB ja FM)

1. Kytke työmaaradioon virta painamalla virtapainiketta.
2. Valitse haluamasi aaltoalue painamalla aaltoalueen valintapainiketta.
3. Paina hetken aikaa haluamaasi esivalintapainiketta. Esivalintapaikan numero ja aseman taajuus tulevat näyttöön.

Kielivalinnat (vain mallissa DMR110)

Työmaaradion kieleksi voi valita jonkin seuraavista kahdeksasta vaihtoehdosta: englantia, saksa, italia, ranska, hollanti, tanska, norja ja puola.

1. Paina lisäasetuspainiketta.
2. Kierrä äänenvoimakkuus-, viritys- ja valintasäädintä, kunnes näytössä näkyvänä valintana on kieli (Language). Valitse asetus painamalla äänenvoimakkuus-, viritys- ja valintasäädintä.
3. Valitse haluamasi kieli kiertämällä äänenvoimakkuus-, viritys- ja valintasäädintä. Vahvista asetuksen valinta painamalla äänenvoimakkuus-, viritys- ja valintasäädintä.

Kirkkauten säätö

Näytön taustavalo voi säätää.

1. Paina lisäasetuspainiketta.
2. Kierrä äänenvoimakkuus-, viritys- ja valintasäädintä, kunnes näytössä näkyvänä valintana on taustavalo (Backlight). Valitse asetus painamalla äänenvoimakkuus-, viritys- ja valintasäädintä.
3. Ota taustavalo käyttöön tai poista se käytöstä kiertämällä äänenvoimakkuus-, viritys- ja valintasäädintä ja vahvista sitten asetuksen valinta äänenvoimakkuus-, viritys- ja valintasäädintä painamalla.

Järjestelmän nollaus

Jos työmaaradiossa on toimintahäiriöitä tai näytön numerot ovat epäselviä tai eivät näy lainkaan, toimi seuraavasti.

1. Paina lisäasetuspainiketta.
2. Kierrä äänenvoimakkuus-, viritys- ja valintasäädintä, kunnes näytössä näkyvänä valintana on tehdasasetusten palautus (Factory Reset). Valitse asetus painamalla äänenvoimakkuus-, viritys- ja valintasäädintä.
3. Valitse vaihtoehto Kyllä (Yes) kiertämällä äänenvoimakkuus-, viritys- ja valintasäädintä. Vahvista asetuksen valinta painamalla äänenvoimakkuus-, viritys- ja valintasäädintä. Kaikki asetukset nollautuvat.

Ohjelmistoversio

1. Paina lisäasetuspainiketta.
2. Kierrä äänenvoimakkuus-, viritys- ja valintasäädintä, kunnes näytössä näkyvänä valintana on

ohjelmistoversio (SW Version). Hae työmaaradioon asennetun ohjelmistoversion tiedot näyttöön painamalla äänenvoimakkuus-, viritys- ja valintasäädintä.

Micro USB -liitäntä ohjelmistopäivitystä varten

Työmaaradioon voi tulevaisuudessa olla saatavilla ohjelmistopäivityksiä.

Kun ohjelmistopäivityksiä tulee saataville, kyseinen ohjelmisto ja ohjeet työmaaradion päivittämiseksi löytyvät **Makitan verkkosivuilta**.

Muiden äänilähteiden toistaminen

⚠ HUOMIO:

Irrota laite verkkovirrasta ennen muiden äänilähteiden kytkemistä.

- Laitteessa on kaksi AUX IN -liitäntää. AUX IN 1 on etupaneelissa ja AUX IN 2 akkutilassa.
- Kytke stereo- tai monoäänilähde (esim. iPod-, MP3- tai CD-soitin) audiojohdolla joko AUX IN 1- tai AUX IN 2 -liitäntään.
- Paina aaltoalueen valintapainiketta toistuvasti, kunnes näytössä näkyy AU1 tai AU2. AUX-toiminto on nyt aktivoitu.

KUNNOSSAPITO

⚠ HUOMIO:

- Älä koskaan käytä bensiiniä, ohentimia, alkoholia tms. aineita. Muutoin pinta voi halkeilla tai sen värit ja muoto voivat muuttua.

TEKNISET TIEDOT

Tehontarve

Verkkovirtasovitin	DC 12 V 1 A, plusnapa keskellä
Akku	Ryhmäakku: 7,2–10,8 V Liukulukitusakku: 10,8–18 V
Taajuusalue	FM 87,50–108 MHz DAB/DAB+ 174,928– 239,200 MHz
DAB/DAB+ Kanavalohko	DAB (aaltoalue III) 5A-13F
Yhteensopiva standardi	DAB (DMR109) DAB/DAB+ (DMR110)

Kytkeäominaisuudet

Kaiutin	3 tuumaa 8 ohmia
Lähtöteho	7,2 V: 0,5 W X 2 10,8 V: 1,2 W X 2 14,4 V: 2,2 W X 2 18 V: 3,5 W X 2
Tuloliitäntä	Halkaisija 3,5 mm (AUX IN1/ AUX IN2)
Antennijärjestelmä	DAB/FM: piiska-antenni
Mitat (P x L x K), mm	280 x 163 x 302
Paino	4,0 kg (ilman akkua)

LATVIEŠU (Oriģinālās instrukcijas)

SIMBOLI

Zemāk ir attēloti simboli, kas attiecas uz ierīci. Pirms ekspluatācijas pārliecinieties, vai izprotat to nozīmi.



..... Izlasiet rokasgrāmatu.



..... Tikai ES valstīm
Neizmest elektrisko aprīkojumu vai akumulatoru sadzīves atkritumos!
Saskaņā ar Eiropas Direktīvu 2002/96/EK par elektrisko un elektronisko iekārtu atkritumiem, 2006/66/EK par baterijām un akumulatoriem, un bateriju un akumulatoru atkritumiem un to īstenošanu saskaņā ar valsts likumdošanu lietotais elektriskais aprīkojums un akumulators kalpošanas laika beigās jāsavāc atsevišķi un jānogādā otrreizējai pārstrādei vidi saudzējošā veidā.



Cd
Ni-MH
Li-ion

SVARĪGI DROŠĪBAS NORĀDĪJUMI

⚠ BRĪDINĀJUMS

Lai mazinātu ugunsgrēka, elektriskās strāvas trieciena un savainojumu riska iespējas, lietojot bezvada darbarīkus, vienmēr jāievēro vispārējie drošības noteikumi, ieskaitot turpmāk minētos:

1. Pirms lietošanas rūpīgi izlasiet šo instrukciju rokasgrāmatu un uzlādes ierīces instrukciju rokasgrāmatu.
2. Tīriet tikai ar sausu lupatiņu.
3. Neuzstādiel blakus karstuma avotiem, piemēram, radiatoriem, sildītājiem, plītnī vai citai karstumam ražojošai aparatūrai (ieskaitot pastiprinātājus).
4. Izmantojiet tikai tādas pielikumus/piederumus, ko norādījis ražotājs.
5. Atvienojiet šo ierīci no strāvas pērķona negaisa laikā vai kad to neizmanto ilgu laiku.
6. Radio ar iebūvētu akumulatoru vai atsevišķs akumulatora bloks jāuzlādē tikai ar tam paredzēto akumulatora uzlādes ierīci. Vienam akumulatora tipam paredzētas uzlādes ierīces izmantošana cita tipa akumulatora uzlādei var radīt ugunsgrēka risku.
7. Izmantojiet radio ar iebūvētu akumulatoru tikai ar atsevišķi norādītiem akumulatoru blokiem. Citu akumulatoru izmantošana var radīt ugunsgrēka risku.
8. Kamēr akumulatora bloks netiek izmantots, neturiet to blakus metāla priekšmetiem, piemēram, saspraudēm, monētām, atslēgām, naglām, skrūvēm un citiem nelieliem metāla priekšmetiem, kas var savienot spaiļes. Akumulatora spaiļu īssavienojums var izraisīt dzirksteles, uzliesmojumu vai ugunsgrēku.
9. Izvairieties no pieskaršanās iezemētām virsmām, piemēram, caurulēm, radiatoriem, plītnī un ledusskapjiem. Ja jūsu ķermenis ir iezemēts, pastāv lielāks elektriskās strāvas trieciena risks.

10. Nepareizas lietošanas gadījumā no akumulatora var iztect šķidrums, nepieskarieties tam. Ja jūs nejausī pieskārties šķidrumam, noskalojiet saskares vietu ar ūdeni. Ja šķidrums nokļūst acīs, papildus iepriekš minētajam, griezieties pie ārsta. No akumulatora iztecejušais šķidrums var izraisīt kairinājumu vai apdegumus.
11. TĪKLA kontaktdakša ir atvienošanas ierīce, un tai jābūt ekspluatācijas kārtībā.

SAGLABĀJIET ŠOS NOTEIKUMUS

SVARĪGI DROŠĪBAS NORĀDĪJUMI AKUMULATORA KASNETNES LIETOŠANAI

1. Pirms akumulatora kasetnes izmantošanas izlasiet visas norādes un brīdinājumus, kas attiecas uz (1) akumulatora uzlādes ierīci, (2) akumulatoru un (3) izstrādājumu, kurā tiek izmantots akumulators.
2. Neizjauciet akumulatora kasetni.
3. Ja ekspluatācijas laiks ir ievērojami saīsinājies, nekavējoties pārtrauciet ekspluatāciju. Citādi var rasties pārkaršanas, iespējamu apdegumu un pat sprādziena risks.
4. Ja elektrolīts iekļūst acīs, izskalojiet tās ar tīru ūdeni un nekavējoties meklējiet ārsta palīdzību. Citādi varat zaudēt redzi.
5. Neradiet akumulatora kasetnē īsslēgumu:
 - (1) Nepieskarieties spaiļēm ne ar kādu elektrību vadošu materiālu.
 - (2) Neuzglabājiel akumulatora kasetni kopā ar citiem metāla priekšmetiem, piemēram, naglām, monētām utt.
 - (3) Nepakļaujiel akumulatora kasetni ūdens vai lietus iedarbībai. Akumulatora īsslēgums var izraisīt lielu strāvas plūsmu, pārkaršanu, iespējamus apdegumus vai pat bojājumus.Akumulatora īsslēgums var izraisīt lielu strāvas plūsmu, pārkaršanu, iespējamus apdegumus vai pat bojājumus.
6. Neuzglabājiel darbarīku un akumulatora kasetni vietās, kur temperatūra var sasniegt vai pārsniegt 50 °C (122 °F).
7. Nesadedziniel akumulatora kasetni pat tad, ja tā ir nopietni bojāta vai ir pilnīgi nolietota. Akumulatora kasetne ugunī var eksplodēt.
8. Uzmanieties, lai nenomestu vai nesasistu akumulatoru.
9. Neizmantojiet bojātu akumulatoru.
10. Uz iekļauto litija jonu akumulatoru attiecas tiesību aktu prasības par bīstamo kravu pārvadājumiem. Komerciāliem pārvadājumiem, kurus veic, piemēram, trešās personas, ekspeditori, jāievēro īpašas prasības par iepakojumu un marķējumu. Gatavojot precī pārvadāšanai, nepieciešams konsultēties ar speciālistu bīstamo materiālu jautājumos. Nepieciešams ievērot arī iespējami sīkāk izklāstītus valsts tiesību aktus.

Aplīmējiet vai apsedziet atvērtus kontaktus un akumulatoru iepakojiet tā, lai tas nepārvietojas pa iepakojumu.

11. Ievērojiet vietējos noteikumus par akumulatora likvidēšanu.

SAGLABĀJIET ŠOS NORĀDĪJUMUS.

⚠ UZMANĪBU: Izmantojiet tikai oriģinālo Makita akumulatoru. Izmantojot akumulatoru, kas nav oriģinālais Makita, vai akumulatoru, kurš ir pārveidots, var izraisīt akumulatora pārplīšanu, kas, savukārt, var radīt ugunsgrēku, ievainojumus vai bojājumus. Tas arī padarīs Makita garantiju Makita darbarīkam un uzlādes ierīcei nederīgu.

Padomi maksimālā akumulatora kalpošanas laika saglabāšanai

1. Uzlādējiet akumulatora kasetni pirms tā ir pilnībā izlādēta.
Vienmēr apturiet darbarīka darbību un uzlādējiet akumulatora kasetni, pamanot, ka darbarīka jauda ir mazinājusies.
2. Nekad neveiciet atkārtotu uzlādi pilnībā uzlādētai akumulatora kasetnei.
Pārmērīgi uzlādējot, sāīsinaš akumulatora kalpošanas laiks.
3. Pirms lietošanas uzlādējiet akumulatora kasetni istabas temperatūrā pie 10 °C - 40 °C (50 °F - 104 °F). Karstai akumulatora kasetnei pirms uzlādes ļaujiet atdzist.
4. Uzlādējiet akumulatora kasetni, ja nelietojat to ilgāku laiku (vairāk kā sešus mēnešus).

KOPSKATA SKAIDROJUMS (1-12. att.)

1. Ieslēgšanas poga
2. Diapazona poga
3. Paplašināto iestatījumu poga
4. Informācijas poga
5. Atmiņas poga
6. Automātiskās regulēšanas poga
7. Skajuma/regulēšanas/atlasas poga
8. Līdzstrāvas ievades kontaktligzda
9. AUX IN 1 ievade
10. Šķidro kristālu displejs
11. Lokana stieņa antena
12. Rokturis
13. Akumulatora nodalījuma vāks (pārklāj akumulatora nodalījumu)
14. Skajrunis
15. Akumulatora nodalījuma slēdzējs
16. Ieejas spāile (AUX IN 2)
17. Mikro USB pieslēgvietā programmatūras jaunināšanai
18. Akumulatora nodalījums
19. Sarkans indikators
20. Poga
21. Akumulatora kasetne
22. Indikatora lampas
23. Pārbaudes poga

ĪPAŠĪBAS

- FM/DAB (DMR109)
- FM/DAB vai DAB+ (DMR110)
- Liels šķidro kristālu displejs ar apgaismojumu
- Manuāla/iepriekšiestatīta/skenēšanas regulēšana
- Apaļa regulēšanas un skajuma kontroles poga
- 5 iepriekšiestatītas stacijas katrā diapazonā
- Mikro USB pieslēgvietā programmatūras jaunināšanai
- Stereo skajrunis bagātīgai skaņai
- Īpaši izturīgs dizains
- Ūdens necaurlaidīgs līdz IP64
- Darbināms gan ar Makita akumulatora bloku, gan ar komplektā iekļauto barošanas adapteri

EKSPLOATĀCIJAS LAIKS

Turpmāk esošās tabulās norādīts darbības laiks ar pilnībā uzlādētu akumulatoru.

Akumulatora jauda	Akumulatora kasetnes spriegums					Pie skaļruņa izejas = 50 mW + 50 mW Vienība: stunda (aptuveni)
	7,2 V	10,8 V	10,8 V - maks. 12 V	14,4 V	18 V	
1,0 Ah	BL7010					4,5 stundas
1,3 Ah		BL1013				5,5 stundas
				BL1415		5,0 stundas
					BL1815	6,0 stundas
1,5 Ah	BL0715					6,5 stundas
			BL1015/ BL1016			8,0 stundas
				BL1415N		7,0 stundas
					BL1815N	7,5 stundas
2,0 Ah			BL1020B/ BL1021B		BL1820 BL1820B	10 stundas
3,0 Ah				BL1430 BL1430B		11 stundas
					BL1830 BL1830B	14 stundas
4,0 Ah			BL1040B/ BL1041B		BL1840 BL1840B	20 stundas
				BL1440		18 stundas
5,0 Ah				BL1450		22 stundas
					BL1850 BL1850B	25 stundas
6,0 Ah				BL1460B		24 stundas
					BL1860B	31 stunda

 : bloka akumulators  : slīdes akumulators

* Eksploataācijas laiks noteikts DAB/DAB+ režīmā pēc uzlādes vienu reizi.

* Eksploataācijas laiks var atšķirties atkarībā no akumulatora veida, uzlādes stāvokļa un lietošanas apstākļiem.

UZSTĀDĪŠANA

Slīdes akumulatora kasetnes ielikšana vai izņemšana (4. un 6. att.)

UZMANĪBU:

Vienmēr pirms akumulatora kasetnes izņemšanas izslēdziet radio.

- Lai uzstādītu akumulatora kasetni, salāgojiet mēlīti uz akumulatora kasetnes ar rievu ietvarā un iebīdīet to vietā. Vienmēr bīdīet to iekšā līdz klikšķim, kas nozīmē, ka tā ir pareizi uzstādīta.
- Ja pogas augšējā daļā ir redzams sarkans indikators, tas nozīmē, ka tā nav pilnīgi fiksēta. Ievietojiet to tā, lai sarkanais indikators nebūtu redzams. Pretējā gadījumā tā var nejauši izkrist no radio un radīt jums vai apkārtējiem ievainojumu.
- Uzstādot akumulatora kasetni, nespiediet to ar spēku. Ja kasetne neslīd ietvarā viegli, tā nav pareizi ielikta.
- Lai izņemtu akumulatora kasetni, velciet to ārā no radio, pārbrīdot kasetnes priekšpusē esošo pogu vai nospiežot kasetnes abās pusēs esošās pogas.

Novietojiet akumulatora nodalījuma slēdzēju sākotnējā stāvoklī.

Samazināta jauda, skaņas kropļojumi un skaņas traucējumi ir pazīmes, ka jānomaina akumulators.

Piezīme:

Akumulatora bloku nevar uzlādēt ar komplektā iekļauto maīnstrāvas barošanas adapteri.

Bloka akumulatora kasetnes ielikšana vai izņemšana (7. un 8. att.)

UZMANĪBU:

Vienmēr pirms akumulatora kasetnes izņemšanas izslēdziet radio.

- Lai ievietotu akumulatora kasetni, salāgojiet mēlīti uz akumulatora kasetnes ar rievu ietvarā un iebīdīet to vietā.
 - Lai izņemtu akumulatora kasetni, izvelciet to no spaiļes, spiežot kasetnes sānos esošās pogas.
- Novietojiet akumulatora nodalījuma slēdzēju sākotnējā stāvoklī.
- Samazināta jauda, skaņas kropļojumi un skaņas traucējumi ir pazīmes, ka jānomaina akumulators.

Piezīme:

Akumulatora bloku nevar uzlādēt ar komplektā iekļauto maiņstrāvas barošanas adapteri.

Akumulatora atlikušās jaudas indikators (9. att.)

Tikai akumulatora kasetnēm ar „B” burtu modeļa numura beigās

Nospiediet pārbaudes pogu uz akumulatora kasetnes, lai pārbaudītu akumulatora atlikušo jaudu. Indikatora lampas izgaismosies dažas sekundes.

Indikatora lampas			Atlikusī jauda
Izgaismota	Izslēgta	Mirgo	
■	□	◻	
■ ■ ■ ■			75% līdz 100%
■ ■ ■ □			50% līdz 75%
■ ■ □ □			25% līdz 50%
■ □ □ □			0% līdz 25%
◻ □ □ □			Uzlādējiet akumulatoru.
◻ □ □ □	↑ ↓	■ ■ ■ ■	Akumulators, iespējams, ir bojāts.

Piezīme:

- Reālā jauda var nedaudz atšķirties no norādītās atkarībā no lietošanas apstākļiem un apkārtējās temperatūras.

Lokanās stieņa antenas uzstādīšana (10. un 11. att.)

Uzstādiet lokano stieņa antenu, kā parādīts attēlā.

Piezīme:

Akumulatora nodalījumā ir vieta noņemtās antenas uzglabāšanai.

Komplektā iekļautā maiņstrāvas barošanas adaptera izmantošana (12. att.)

Noņemiet gumijas aizsargierīci un ievietojiet adaptera kontaktdakšu radio priekšpusē esošajā līdzstrāvas kontaktligzdā. Iespraudiet adapteru standarta tīkla kontaktligzdas izejā. Kad izmanto adapteru, akumulatora bloks tiek automātiski atvienots. Maiņstrāvas adapters jāatvieno no tīkla jaudas padeves, ja tas netiek lietots.

EKSPLUATĀCIJA

Šim radio ir trīs regulēšanas metodes - skenēšanas regulēšana, manuālā regulēšana un iepriekšiestatīto atmiņu atsaukšana.

Stacijas izvēle – DAB

- Nospiediet ieslēgšanas pogu, lai ieslēgtu radio.

- Izvēlieties nepieciešamo DAB režīmu, nospiežot diapazona pogu.
- Nospiediet paplašināto iestatījumu pogu un grieziet skaļuma/regulēšanas/atlasas pogu, līdz ekrānā redzams mirgojošs teksts „Station List” (Staciju saraksts). Nospiediet skaļuma/regulēšanas/atlasas pogu, lai izvēlētos staciju sarakstu.
- Grieziet skaļuma/regulēšanas/atlasas pogu, lai ritinātu pieejamo staciju sarakstu. Nospiediet pogu, lai izvēlētos staciju.
- Noregulējiet vajadzīgo skaļumu, pagriežot skaļuma/regulēšanas/atlasas pogu.

Displeja režīmi – DAB

Šim radio ir vairākas displeja opcijas DAB režīmā.

Nospiediet informācijas pogu, lai izvēlētos no vairākām opcijām, kas attēlotas ar norādītajiem burtiem (a. līdz g.).

- Stacijas nosaukums Norāda attiecīgajā brīdī klausītās stacijas nosaukumu.
- Programmas veids Norāda attiecīgajā brīdī klausītās stacijas veidu, piemēram, pops, klasika, ziņas u. c.
- Multipleksa nosaukums Norāda DAB multipleksu, kurā ietilpst attiecīgajā brīdī klausītā stacija.
- Laiks un datums Norāda pašreizējo datumu un laiku.
- Frekvence un kanāls Norāda attiecīgajā brīdī noregulētās DAB stacijas frekvenci un kanāla numuru.
- Bitu pārraides ātrums/ audio veids Norāda digitālā audio bitu pārraides ātrumu un audio veidu attiecīgajā brīdī noregulētajai DAB stacijai.
- Signāla stiprums Norāda attiecīgajā brīdī noregulētās DAB stacijas signāla stiprumu.

Jaunu staciju atrašana – DAB

Laiku pa laikam var kļūt pieejamas jaunas DAB radio stacijas, vai arī jūs esat pārvietojušies uz citu valsts daļu. Šādā gadījumā var būt nepieciešams radio veikt jaunu staciju skenēšanu.

Lai radio atrastu pieejamās stacijas, ieteicams veikt visa DAB III diapazona frekvenču pilnīgu skenēšanu.

- Nospiediet automātiskās regulēšanas pogu.
- Radio veiks DAB frekvenču pilnīgu skenēšanu.

Atrodot jaunu staciju, staciju skaits displeja kreisajā pusē palielināsies un sarakstam tiks pievienota jauna stacija.

Manuālā regulēšana – DAB

Manuālā regulēšana ļauj noregulēt radio uz konkrētu DAB frekvenci III diapazonā. Šo funkciju arī var izmantot, papildinot antenas vai radio novietojumu, lai optimizētu konkrēta kanāla vai frekvences uztveršanu.

- Nospiediet paplašināto iestatījumu pogu un grieziet skaļuma/regulēšanas/atlasas pogu, līdz displejā redzams „Manual Tune” (Manuālā regulēšana).

- Nospiediet skaļuma/regulēšanas/atlasēšanas pogu, lai izvēlētos manuālās regulēšanas režīmu.
2. Pagrieziet skaļuma/regulēšanas/atlasēšanas pogu, lai izvēlētos vajadzīgo DAB kanālu. Nospiediet skaļuma/regulēšanas/atlasēšanas pogu, lai apstiprinātu izvēlēto frekvenci.

Staciju kārtības iestatīšana – DAB

Jūs varat izvēlēties vienu no 3 radio staciju kārtības iestatījumiem. Staciju kārtības iestatījumi ir burtu un ciparu, kopējais un derīgās stacijas.

1. Nospiediet paplašināto iestatījumu pogu.
2. Grieziet skaļuma/regulēšanas/atlasēšanas pogu, līdz displejā redzams „Station order” (Staciju kārtība), pēc tam nospiediet skaļuma/regulēšanas/atlasēšanas pogu, lai izvēlētos iestatījumu.
3. Grieziet skaļuma/regulēšanas/atlasēšanas pogu, lai izvēlētos turpmākos iestatījumus un nospiediet pogu, lai apstiprinātu iestatījumu.

Burtu un ciparu	Sakārto staciju sarakstu pēc burtiem un cipariem, 0...9 A...Z
Kopējais	Organizē staciju sarakstu pēc DAB multipleksa
Derīgās	Parāda tās stacijas, kurām var atrast signālu

Dinamiskā diapazona kontrole (Dynamic Range Control – DRC) – DAB

DRC funkcija, samazinot audio signāla dinamisko diapazonu, ļauj sadzirdēt klusākas skaņas, kad radio izmanto trokšņainā vidē. Pieejami trīs saspišanas līmeņi:

DRC 0	Netiek izmantota saspišana
DRC 1/2	Tiek izmantota vidēja saspišana
DRC 1	Tiek izmantota maksimāla saspišana

1. Nospiediet ieslēgšanas pogu, lai ieslēgtu radio.
2. Nospiediet diapazona pogu, lai izvēlētos DAB diapazonu.
3. Nospiediet paplašināto iestatījumu pogu un grieziet skaļuma/regulēšanas/atlasēšanas pogu, līdz displejā redzams „DRC Value” (Dinamiskās diapazona kontroles vērtība). Pēc tam nospiediet skaļuma/regulēšanas/atlasēšanas pogu, lai ievadītu iestatījumu. Displejā būs redzama pašreizējā dinamiskās diapazona kontroles vērtība.
4. Pagrieziet skaļuma/regulēšanas/atlasēšanas pogu, lai izvēlētos vajadzīgo dinamiskās diapazona kontroles vērtību.
5. Nospiediet skaļuma/regulēšanas/atlasēšanas pogu, lai apstiprinātu iestatījumu.

Skenēšanas regulēšana – FM

1. Nospiediet ieslēgšanas pogu, lai ieslēgtu radio.
2. Izvēlieties vajadzīgo viļņu diapazonu, nospiežot diapazona pogu. Pārlicinieties, vai lokanā stienja antena ir novietota pareizi labākai FM viļņu uztveršanai. Nelietojiet radio blakus datoru ekrānam un citām ierīcēm, kas izraisīs radio traucējumus.
3. Nospiediet automātiskās regulēšanas pogu – radio sāks meklēšanu un automātiski to pārtrauks, kad atradīs radio staciju. Radio turpinās meklēt nākamo pieejamo staciju, ja vien nepiespiedīs automātiskās regulēšanas pogu, lai pārtrauktu skenēšanu.

4. Pagrieziet skaļuma/regulēšanas/atlasēšanas pogu, lai noregulētu vajadzīgo skaņas līmeni. Šķidro kristālu displejā tiks parādītas skaņas līmeņa izmaiņas.

Piezīme:

Lai, izmantojot skaļuma/regulēšanas/atlasēšanas pogu, atrastu vajadzīgo staciju, nospiediet un turiet nospiestu skaļuma/regulēšanas/atlasēšanas pogu, lai ieslēgtu regulēšanas režīmu.

5. Lai izslēgtu radio, nospiediet ieslēgšanas pogu.

FM skenēšanas zona

Izmantojot FM režīmu, radio var iestatīt veikt vietējo staciju skenēšanu vai veikt visu staciju, tostarp attālu radio staciju, skenēšanu.

Manuālā regulēšana – FM

1. Nospiediet ieslēgšanas pogu, lai ieslēgtu radio.
2. Nospiediet diapazona pogu, lai izvēlētos vajadzīgo viļņu diapazonu. Noregulējiet antenu, kā aprakstīts iepriekš.
3. Pagriežot skaļuma/regulēšanas/atlasēšanas pogu, frekvence mainīsies šādi:
FM: 50 vai 100 kHz

Piezīme:

Lai, izmantojot skaļuma/regulēšanas/atlasēšanas pogu, atrastu vajadzīgo staciju, nospiediet un turiet nospiestu skaļuma/regulēšanas/atlasēšanas pogu, lai ieslēgtu regulēšanas režīmu.

4. Turpiniet griezt skaļuma/regulēšanas/atlasēšanas pogu, līdz displejā redzama nepieciešamā frekvence.
5. Pagrieziet skaļuma/regulēšanas/atlasēšanas pogu, lai noregulētu vajadzīgo skaņas līmeni.
6. Lai izslēgtu radio, nospiediet ieslēgšanas pogu.

Displeja režīmi – FM

Šim radio ir vairākas displeja opcijas FM radio režīmā.

Atkārtoti spiediet informācijas pogu, lai izvēlētos no pieejamām opcijām.

- | | |
|-----------------------|---|
| a. Programmas stacija | Norāda attiecīgajā brīdī klausītās stacijas nosaukumu. |
| c. Radio teksts | Attēlo teksta ziņojumu, piemēram, ziņas tematu u. c. |
| b. Programmas veids | Attēlo attiecīgajā brīdī klausītās stacijas veidu, piemēram, pops, klasika, ziņas u. c. |
| d. Laiks un datums | Norāda pašreizējo datumu un laiku. |
| e. Frekvence | Norāda FM signāla frekvenci. |

Staciju saglabāšana iepriekšiestatītajās atmiņas vietās (DAB un FM)

Katram viļņu diapazonam ir 5 atmiņas iepriekšiestatījamās vietas.

1. Nospiediet ieslēgšanas pogu, lai ieslēgtu radio.
2. Izmantojot vienu no iepriekš aprakstītajām metodēm, noregulējiet radio uz nepieciešamo staciju.
3. Nospiediet un turiet nospiestu nepieciešamo atmiņas pogu, līdz displejā tiks parādīts iepriekšiestatītās stacijas numurs, piemēram, “P2 Saved” („P2 saglabāta”). Stacija ir saglabāta izvēlētajās atmiņas pogas vietā.
4. Atkārtotiet šo darbību atlikušajām atmiņas pogām.

5. Iepriekšiestatītajās atmiņas vietās saglabātās stacijas var pārrakstīt, izmantojot iepriekš aprakstīto metodi.

Staciju atsaukšana no iepriekšiestatītajām atmiņas vietām (DAB un FM)

1. Nospiediet ieslēgšanas pogu, lai ieslēgtu radio.
2. Nospiediet diapazona pogu, lai izvēlētos vajadzīgo viļņu diapazonu.
3. Uzreiz nospiediet nepieciešamo atmiņas pogu. Displejā tiks parādīts iepriekšiestatītās stacijas numurs un frekvence.

Valodu opcijas (pieejamas tikai modelim DMR110)

Šim radio ir pieejamas astoņas valodu opcijas: angļu, vācu, itāļu, franču, holandiešu, dāņu, norvēģu un poļu.

1. Nospiediet paplašināto iestatījumu pogu.
2. Grieziet skaļuma/regulēšanas/atlasēšanas pogu, līdz displejā redzams „Language” (Valoda). Nospiediet skaļuma/regulēšanas/atlasēšanas pogu, lai ievadītu iestatījumu.
3. Pagrieziet skaļuma/regulēšanas/atlasēšanas pogu, lai izvēlētos vajadzīgo valodu. Nospiediet skaļuma/regulēšanas/atlasēšanas pogu, lai apstiprinātu iestatījumu.

Spilgtuma regulēšana

Iespējams noregulēt displeja izgaismojumu.

1. Nospiediet paplašināto iestatījumu pogu.
2. Grieziet skaļuma/regulēšanas/atlasēšanas pogu, līdz displejā redzams „Backlight” (Izgaismojums). Nospiediet skaļuma/regulēšanas/atlasēšanas pogu, lai ievadītu iestatījumu.
3. Grieziet skaļuma/regulēšanas/atlasēšanas pogu, lai izvēlētos iespējot vai atspējot izgaismojuma funkciju, pēc tam nospiediet skaļuma/regulēšanas/atlasēšanas pogu, lai apstiprinātu iestatījumu.

Sistēmas atiestatīšana

Ja radio vairs nedarbojas pareizi, vai displejā trūkst ciparu vai tie ir nepilnīgi, veiciet šādu procedūru.

1. Nospiediet paplašināto iestatījumu pogu.
2. Grieziet skaļuma/regulēšanas/atlasēšanas pogu, līdz displejā redzams „Factory Reset” (Rūpnīcas iestatījumi). Nospiediet skaļuma/regulēšanas/atlasēšanas pogu, lai ievadītu iestatījumu.
3. Pagrieziet skaļuma/regulēšanas/atlasēšanas pogu, lai izvēlētos „Yes” (Jā). Nospiediet skaļuma/regulēšanas/atlasēšanas pogu, lai apstiprinātu iestatījumu – notiks pilnīga atiestatīšana.

Programmatūras versija

1. Nospiediet paplašināto iestatījumu pogu.
2. Grieziet skaļuma/regulēšanas/atlasēšanas pogu, līdz displejā redzams „SW Version” (Programmatūras versija). Nospiediet skaļuma/regulēšanas/atlasēšanas pogu, lai apskatītu radio instalēto programmatūras versiju.

Mikro USB pieslēgvietas programmatūras jaunināšanai

Nākotnē šim radio var būt pieejami programmatūras atjauninājumi.

Ja ir pieejami programmatūras atjauninājumi, programmatūra un informācija par atjauninājumu ielādi radio ir pieejama **Makita tīmekļa vietnē**.

Kā atskaņot citus audio avotus

⚠ UZMANĪBU:

Atvienojiet šo ierīci no strāvas, pirms pievienot citus audio avotus.

- Ir 2 AUX IN ievades kontaktligzdas. AUX IN 1 atrodas priekšējā panelī, un AUX IN 2 atrodas akumulatora nodalījumā.
- Pievienojiet stereo vai mono avotu (piemēram, iPod, MP3 vai CD atskaņotāju) pie AUX IN 1 vai AUX IN 2, izmantojot audio vadu.
- Atkārtoti nospiediet un atlaidiet diapazona pogu, līdz tiek parādīts „AU1” vai „AU2”, pēc tam tiek aktivizēta AUX funkcija.

APKOPE

⚠ UZMANĪBU:

- Nekad neizmantojiet gazolinu, benzīnu, atšķaidītāju, spirtu vai līdzīgus šķidrumus. Tas var radīt izbalēšanu, deformāciju vai plaisas.

SPECIFIKĀCIJAS

Jaudas prasības

Maiņstrāvas barošanas adapteris

I līdzstrāva – 12 V, 1A,

centrālais kontakts pozitīvs

Akumulators

Bloka akumulators:

7,2 V - 10,8 V

Slīdes akumulators:

10,8 V - 18 V

Frekvences diapazons

FM 87,50-108 MHz

DAB/DAB+ 174,928 -

239,200 MHz

DAB/DAB+ kanālu bloks

DAB (III diapazons) 5A-13F

Saderīgs standarts

DAB (DMR109)

DAB/DAB+ (DMR110)

Shēma

Skaļrunis

3 collas, 8 omi

Izejas jauda

7,2 V: 0,5 W x 2

10,8 V: 1,2 W x 2

14,4 V: 2,2 W x 2

18 V: 3,5 W x 2

Ieejas spaiļi

3,5 mm diam. (AUX IN1/ AUX

IN2)

Antenas sistēma

DAB/FM: lokanā stieņa antena

Gabariiti mm (G x P x A)

280 x 163 x 302

Svars

4,0 kg (bez akumulatora)

LIETUVIŲ KALBA (Originali instrukcija)

ŽENKLAI

Toliau nurodyti įrangai naudojami simboliai. Prieš pradėdami jį naudoti, įsitinkinkite, kad suprantate jų reikšmes.



..... Perskaitykite naudojimo instrukciją.



Cd
Ni-MH
Li-Ion

..... Tiktai ES valstybėms
Neišmeskite elektros įrangos arba
akumuliatoriaus bloko į buitinius
šiukšlynus!
Atsižvelgiant į Europos Parlamento ir
Tarybos direktyvą 2002/96/EB dėl
elektros ir elektroninės įrangos atliekų ir
direktyvą 2006/66/EB dėl baterijų ir
akumuliatorių bei baterijų ir akumuliatorių
atliekų ir šių direktyvų siekių
įgyvendinimą pagal nacionalinius
įstatymus, elektros įrangos ir
akumuliatorių atliekas būtina surinkti
atskirai nuo kitų buitinių atliekų ir atiduoti
antrinių žaliavų perdirbimo aplinkai
nekenksmingu būdu punktą.

SVARBIOS SAUGOS INSTRUKCIJOS

⚠️ ĮSPĖJIMAS:

Kai naudojate įrankius su akumuliatoriais, laikykitės būtinų saugos priemonių, įskaitant toliau nurodytas, kad sumažintumėte gaisro, skysčio ištekėjimo iš akumuliatorių ir sužeidimo pavojų.

1. Prieš pradėdami naudoti įrenginį, atidžiai perskaitykite šią instrukciją ir kroviklio instrukciją.
2. Valykite tik sausu skudurėliu.
3. Nemontuokite šalia šilumos šaltinių, pavyzdžiui, radiatorių, šilumos skaitiklių, viryklių ar kitų šilumą skleidžiančių prietaisų (įskaitant stiprintuvus).
4. Naudokite tik gamintojo nurodytus įtaisus / priedus.
5. Išjunkite šį prietaisą iš elektros tinklo lizdo audros su žaibais metu arba, jei ilgai nenaudojate šio prietaiso.
6. Akumuliatorinį radiją su integruotais akumuliatoriais arba atskiru akumuliatoriaus bloku galima krauti tik tam akumuliatoriui skirtu krovikliu. Įkroviklis, kuris tinka vienam akumuliatorių tipui įkrauti, gali kelti gaisro pavojų, jei bus naudojamas su kitų tipų akumuliatoriais.
7. Naudokite akumuliatorinį radiją tik su specialiai jam skirtais akumuliatorių blokais. Naudojant bet kokius kitus akumuliatorius, galima sukelti gaisrą.
8. Kai akumuliatorius nėra naudojamas, laikykite jį toliau nuo kitų metalinių daiktų, pavyzdžiui, popieriaus sąvaržėlių, monetų, raktų, vinių, varžtų ir kitų mažų metalinių daiktų, dėl kurių gali kilti trumpasis jungimas tarp kontaktų. Akumuliatorių kontaktų trumpasis jungimas gali sukelti žiežirbų, nudegimų ar gaisrą.
9. Venkite kontakto su žemintais paviršiais, pavyzdžiui, vamzdžiais, radiatoriais, viryklėmis ir šaldytuvais. Elektros smūgio pavojus padidėja, jeigu jūsų kūnu į žemę gali nutekėti srovė.

10. Netinkamai naudojant, iš akumuliatoriaus gali ištekėti skysčio; venkite sąlyčio su juo. Jei sąlytis atsitiktinai įvyko, gausiai nuplaukite vandeniu. Jei skysčio pateko į akis, kreipkitės į gydytoją. Iš akumuliatoriaus ištekėjęs skystis gali sudirginti arba nudeginti odą.
11. Pagrindinis kištukas naudojamas kaip atjungimo įtaisas, jis visada turi veikti.

ĮŠSAUGOKITE ŠIĄ INSTRUKCIJĄ

SVARBIOS AKUMULIATORIAUS KASETĖS NAUDOJIMO SAUGOS TAISYKLĖS

1. Prieš naudodami akumuliatoriaus kasetę, perskaitykite visus nurodymus ir įspėjamuosius ženklus, esančius ant (1) akumuliatoriaus kroviklio, (2) akumuliatoriaus ir (3) gaminio, kuriame naudojamas akumuliatorius.
2. Neardykite akumuliatoriaus kasetės.
3. Jei įrankio veikimo laikas žymiai sutrumpėjo, tuoj pat nutraukite darbą. Tai gali kelti perkaitimo, nudegimų ar net sproginimo pavojų.
4. Jei elektrolito pateko į akis, skalaukite jas švariu vandeniu ir nedelsdami kreipkitės į gydytoją. Gali kilti regėjimo praradimo pavojus.
5. Nesujunkite akumuliatoriaus kasetės gnybtų trumpuoju jungimu:
 - (1) nelieskite gnybtų jokiais elektrai laidžiomis medžiagomis.
 - (2) Stenkitės nelaikyti akumuliatoriaus kasetės kartu su kitais metaliniais daiktais, pavyzdžiui, vinimis, monetomis ir pan.
 - (3) Saugokite akumuliatoriaus kasetę nuo vandens ir lietaus. Trumpasis jungimas akumuliatoriuje gali sukelti stiprią srovę, perkaitimą, galimus nudegimus ar net akumuliatoriaus gedimą.Trumpasis jungimas akumuliatoriuje gali sukelti stiprią srovę, perkaitimą, galimus nudegimus ar net akumuliatoriaus gedimą.
6. Nelaikykite įrankio ir akumuliatoriaus kasetės tose vietose, kur temperatūra gali siekti ar viršyti 50°C (122°F).
7. Nedeginkite akumuliatoriaus kasetės, net jei ji yra smarkiai apgadinta ar visiškai susidėvėjusi. Ugnyje akumuliatoriaus kasetė gali sprogti.
8. Būkite atsargūs, kad nenumestumėte ar nesutrenktumėte akumuliatoriaus.
9. Nenaudokite akumuliatoriaus, jei jis sugedęs.
10. Ličio jonų akumuliatoriams taikomi pavojingų prekių vežimo teisiniai reikalavimai. Komercinės transporto įmonės, pvz. trečiosios šalys, siuntų pristatymo tarnybos, privalo vadovautis ant pakuočių ir etikečių nurodytais specialiais reikalavimais. Ruošiant prekę siuntimui, privaloma pasitarti su pavojingų medžiagų tvarkymo ekspertais. Taip pat laikykites galimai taikytinų detalesnių nacionalinių reglamentų. Užklijuokite arba uždenkite atvirus kontaktus ir supakuokite akumuliatorių taip, kad jis pakuotėje nejudėtų.

11. Laikykitės vietos akumuliatorių užtikrinimo reikalavimų, nurodantys taisyklių.

SAUGOKITE ŠIĄ INSTRUKCIJĄ.

⚠ PERSPĖJIMAS: Naudokite tik originalius „Makita“ akumuliatorius. Naudojant ne originalius „Makita“ akumuliatorius arba perdirbtus akumuliatorius, akumuliatorius gali sprogti ir sukelti gaisrą, jus sužaloti arba padaryti turtingas žałas. Taip pat nebegalios „Makita“ įrankiui ir krovikliui taikoma „Makita“ garantija.

Patarimai, ką daryti, kad akumuliatorius tarnautų kuo ilgiau

1. Įkraukite akumuliatoriaus kasetę, kol ji dar nėra visiškai išsekusi.
Pastebėję, kad sumažėjo įrankio galia, visuomet išjunkite jį ir įkraukite akumuliatoriaus kasetę.
2. Niekada nemėginkite pakartotinai įkrauti visiškai įkrautos akumuliatoriaus kasetės.
Perkrova sutrumpina akumuliatoriaus tarnavimo laiką.
3. Kraukite akumuliatoriaus kasetę esant 10–40 °C (50–104 °F) kambario temperatūrai. Prieš kraudami įkaitusią akumuliatoriaus kasetę, palaukite, kol ji atvės.
4. Įkraukite akumuliatoriaus kasetę, jei jos ilgai nenaudojate (ilgiau nei šešis mėnesius).

BENDROJO VAIZDO PAAIŠKINIMAS (1–12 pav.)

1. Įjungimo mygtukas
2. Diapazono pasirinkimo mygtukas
3. Išplėstinio nustatymo mygtukas
4. Informacijos mygtukas
5. Iš anksto nustatytų radijo stočių mygtukai
6. Automatinio nustatymo mygtukas
7. Garso / stočių nustatymo / pasirinkimo rankenėlė
8. Nuolatinės srovės įvesties lizdas
9. „AUX IN 1“ lizdas
10. Skystųjų kristalų ekranas
11. Lanksti, nulenkiama antena
12. Rankena
13. Akumuliatoriaus skyriaus dangtelis (dengiantis akumuliatoriaus kasetę)
14. Garsiakalbis
15. Akumuliatoriaus skyriaus fiksatorius
16. Įvesties lizdas (AUX IN 2)
17. „Micro-USB“ prievadas programinei įrangai naujinti
18. Akumuliatoriaus skyrius
19. Raudonas indikatorius
20. Mygtukas
21. Akumuliatoriaus kasetė
22. Kontrolinės lemputės
23. Tikrinimo mygtukas

SAVYBĖS

- FM / DAB (DMR109)
- FM / DAB arba DAB+ (DMR110)
- Didelis, apšviečiamas skystųjų kristalų ekranas
- Rankinis stočių nustatymas / iš anksto nustatytos stotys / stočių paieška
- Sukamasis nustatymas ir garso kontrolė

- 5 iš anksto nustatomos stotys kiekviename diapazone
- „Micro-USB“ prievadas programinei įrangai naujinti
- Stereofoninis garsiakalbis puikiam garsui
- Nepaprastai tvirtas korpusas
- Atsparumas vandeniui atitinka IP64
- Veikia ir naudojant „Makita“ akumuliatoriaus bloką, ir pateiktąjį maitinimo adapterį

VEIKIMO LAIKAS

Toliau esančiose lentelėse nurodytas veikimo laikas naudojant visiškai įkrautą akumuliatorių.

Akumuliatoriaus talpa	Akumuliatoriaus kasetės įtampa					Garsiakalbio išvesties lizde = 50 mW + 50 mW Matavimo vnt.: val. (apytiksliai)
	7,2 V	10,8 V	10,8 V - maks. 12 V	14,4 V	18 V	
1,0 Ah	BL7010					4,5 val.
1,3 Ah		BL1013				5,5 val.
				BL1415		5,0 val.
					BL1815	6,0 val.
1,5 Ah	BL0715					6,5 val.
			BL1015/ BL1016			8,0 val.
				BL1415N		7,0 val.
					BL1815N	7,5 val.
2,0 Ah			BL1020B/ BL1021B		BL1820 BL1820B	10 val.
3,0 Ah				BL1430 BL1430B		11 val.
					BL1830 BL1830B	14 val.
4,0 Ah			BL1040B/ BL1041B		BL1840 BL1840B	20 val.
				BL1440		18 val.
5,0 Ah				BL1450		22 val.
					BL1850 BL1850B	25 val.
6,0 Ah				BL1460B		24 val.
					BL1860B	31 val.

 : Blokinis akumuliatorius  : Įstumiamas akumuliatorius

* Veikimo laikas pagrįstas klausantis radijo DAB / DAB+ vieną kartą įkrovus akumuliatorių.

* Eksploatacijos laikas gali priklausyti nuo akumuliatoriaus tipo, įkrovimo būsenos ir naudojimo aplinkos sąlygų.

ĮRENGIMAS

Įstumiamos akumuliatoriaus kasetės įdėjimas arba išėmimas (4–6 pav.)

⚠ PERSPĖJIMAS:

Prieš įdėdami arba išimdami akumuliatoriaus kasetę, visada išjunkite radiją.

- Jei norite įdėti akumuliatoriaus kasetę, sulygiuokite liežuvėlį ant akumuliatoriaus kasetės su grioveliu korpuse ir įstumkite į skirtą vietą. Visuomet įdėkite iki galo, kol spragtelėdama užsifiksuos.
- Jei matote raudoną indikatorių viršutinėje mygtuko pusėje, jis ne visiškai užfiksuotas. Įkiškite ją iki galo, kol nebematysite raudono indikatoriaus. Priešingu atveju ji gali atsitiktinai iškristi iš radijo ir sužeisti jus ar aplinkinius.
- Nenaudokite jėgos, įdėdami akumuliatoriaus kasetę. Jeigu kasetė sunkiai lenda, ji kišama netinkamai.
- Jeigu norite išimti akumuliatoriaus kasetę, stumkite ją iš radijo, stumdami mygtukus, esančius abiejuose kasetės šonuose.

Grąžinkite akumuliatoriaus skyriaus fikساتorių į pradinę padėtį.
Sumažėjęs galingumas, trukdžiai ir trūkčiojantis garsas – visi šie požymiai reiškia, kad reikia pakeisti akumuliatorių.

Pastaba:

Šio akumuliatoriaus bloko negalima krauti pateiktuojų kintamosios srovės maitinimo adapteriu.

Blokinio akumuliatoriaus kasetės įdėjimas arba išėmimas (7 ir 8 pav.)

⚠ PERSPĖJIMAS:

Prieš įdėdami arba išimdami akumuliatoriaus kasetę, visada išjunkite radiją.

- Jei norite įdėti akumuliatoriaus kasetę, sulygiuokite liežuvėlį ant akumuliatoriaus kasetės su grioveliu korpuse ir įstumkite į skirtą vietą.
 - Jei norite išimti akumuliatoriaus kasetę, ištraukite ją iš įrankio, paspausdami mygtuką, esantį kasetės priekyje.
- Grąžinkite akumuliatoriaus skyriaus fikساتorių į pradinę padėtį.
Sumažėjęs galingumas, trukdžiai ir trūkčiojantis garsas – visi šie požymiai reiškia, kad reikia pakeisti akumuliatorių.

Pastaba:

Šio akumulatoriaus bloko negalima krauti pateiktuoju kintamosios srovės adapteriu.

Likusios akumulatoriaus galios rodymas (9 pav.)

Taikytina tik akumuliatorių kasetėms, kurių modelio numerio gale yra raidė „B“
Paspauskite ant akumulatoriaus kasetės esantį tikrinimo mygtuką, kad būtų rodoma likusi akumulatoriaus kasetės energija. Kelioms sekundėms užsidegs kontrolinės lemputės.

Kontrolinės lemputės			Likusi energija
Šviečia	Nešviečia	Žybočia	
■	□	▣	
■ ■ ■ ■			75–100 %
■ ■ ■ □			50–75 %
■ ■ □ □			25–50 %
■ □ □ □			0–25 %
▣ □ □ □			Įkraukite akumuliatorių.
■ ■ □ □	↑ ↓	■ ■	Gali būti įvykęs akumulatoriaus gedimas.

Pastaba:

- Rodmuo gali šiek tiek skirtis nuo faktinės energijos lygio – tai priklauso nuo naudojimo sąlygų ir aplinkos temperatūros.

Lanksčios, nulenkiamos antenos montavimas (10 ir 11 pav.)

Įkiškite lanksčią, nulenkiamą anteną, kaip parodyta paveikslėlyje.

Pastaba:

Akumulatoriaus skyriuje yra spragtukas, skirtas nimitai antenai laikyti.

Pateiktojo maitinimo adapterio naudojimas (12 pav.)

Nuimkite guminę apsaugą ir įkiškite adapterio kištuką į nuolatinės srovės lizdą, esantį priekinėje radijo pusėje. Įkiškite adapterį į standartinį elektros tinklo lizdą. Kiekvieną kartą, kai tik naudojamas adapteris, akumulatoriaus blokas automatiškai išjungiamas. Kintamosios srovės adapterį reikia išjungti iš elektros tinklo, jei jis nenaudojamas.

NAUDOJIMAS

Šis radijas turi tris stočių nustatymo būdus: automatinę stočių paiešką, rankinį stočių nustatymą ir iš anksto nustatytų stočių iškvietimą iš atminties.

Stočių pasirinkimas – DAB

1. Spauskite įjungimo mygtuką, kad įjungtumėte radiją.
2. Spausdami diapazono pasirinkimo mygtuką, parinkite DAB režimą.
3. Paspauskite išplėstinio nustatymo mygtuką ir sukite garso / stočių nustatymo / pasirinkimo rankenėlę, kol ekrane pradės žybočioti užrašas „Station List“ (stočių sąrašas). Spauskite garso / stočių nustatymo / pasirinkimo rankenėlę, kad būtų atidarytas stočių sąrašas.
4. Sukite garso / stočių nustatymo / pasirinkimo rankenėlę, kad peržiūrėtumėte sąrašą esančias stotis. Norėdami pasirinkti stotį, paspauskite rankenėlę.
5. Pareguliuokite garso lygį, sukdami garso / stočių nustatymo / pasirinkimo rankenėlę.

Rodinių režimai – DAB

Radijui veikiant DAB režimu, galima pasirinkti kelias rodinį nuostatas:

Spauskite informacijos mygtuką, kad galėtumėte peržiūrėti įvairias parinktis, pateiktas a.–g. punktuose.

- a. Stoties pavadinimas Rodo klausomos radijo stoties pavadinimą.
- b. Programos tipas Rodo klausomos radijo stoties tipą. Pvz. „Pop“ (popmuzika), „Classics“ (klasika), „News“ (naujienos) ir pan.
- c. Dauginis pavadinimas Rodo DAB dauginio, kuriam priklauso dabartinė stotis, pavadinimą.
- d. Laikas ir data Rodo dabartinį laiką ir datą.
- e. Dažnis ir kanalas Rodo tuo metu nustatytos DAB stoties dažnį ir kanalo numerį.
- f. Sparta bitais / garso tipas Rodo tuo metu nustatytos DAB stoties skaitmeninio garso spartą bitais ir garso tipą.
- g. Signalo stiprumas Rodo tuo metu nustatytos DAB stoties signalo stiprumą.

Naujų stočių suradimas – DAB

Retkarčiais gali atsirasti naujų DAB radijo stočių. Arba jūs galite persikelti į kitą šalies vietą. Tokiu atveju jums gali prireikti suaktyvinti radiją, kad jis surastų naujų stočių. Norint, kad radijas rastų esamas stotis, rekomenduojama atlikti visą visų DAB III diapazono dažnių paiešką.

1. Paspauskite automatinio nustatymo mygtuką.
2. Radijas atliks visą DAB dažnių paiešką. Radus naujų stočių, didės kairėje ekrano pusėje esantis stočių skaitiklio rodmuo ir stotys bus įtraukiamos į sąrašą.

Rankinis nustatymas – DAB

Rankinis nustatymas leidžia jums nustatyti radiją konkrečiam III diapazono DAB dažniui. Šią funkciją taip pat galima naudoti antenos arba radijo padėčiai lengviau nustatyti, kad būtų optimaliai priimami konkretaus kanalo arba dažnio signalai.

1. Paspauskite išplėstinio nustatymo mygtuką ir sukite garso / stočių nustatymo / pasirinkimo rankenėlę, kol ekrane bus rodomas užrašas „Manual Tune“ (rankinis

nustatymas). Paspauskite garso / stočių nustatymo / pasirinkimo rankenėlę, kad būtų įjungtas rankinio nustatymo režimas.

2. Sukite garso / stočių nustatymo / pasirinkimo rankenėlę, kad pasirinktumėte norimą DAB kanalą. Paspauskite garso / stočių nustatymo / pasirinkimo rankenėlę, kad patvirtintumėte pasirinktą dažnį.

Stočių eilės tvarkos nustatymas – DAB

Jūsų radijas turi tris stočių eilės tvarkos nuostatas, iš kurių galite pasirinkti bet kurią. Galimos šios stočių eilės tvarkos nuostatos: raidinė skaitmeninė, bendra ir veikianti stotis.

1. Paspauskite išplėstinio nustatymo mygtuką.
2. Sukite garso / stočių nustatymo / pasirinkimo rankenėlę, kol ekrane bus rodoma „Station order“ (stočių eilės tvarka), tada paspauskite garso / stočių nustatymo / pasirinkimo rankenėlę, kad įvestumėte nuostatą.
3. Sukite garso / stočių nustatymo / pasirinkimo rankenėlę, kad pasirinktumėte toliau nurodytas parinktis, ir paspauskite šią rankenėlę, kad patvirtintumėte nuostatą.

Raidinė skaitmeninė	Rūšiuoja stočių sąrašą raidine skaitmenine tvarka: 0...9 A...Z
Bendra	Išdėsto stočių sąrašą pagal DAB dauginį
Veikianti	Rodo tik tas stotis, kurių signalą galima rasti

Dinaminio diapazono valdymas (DRC) – DAB

DRC funkcija gali padėti lengviau išgirsti tylesnius garsus, kai radijas naudojamas triukšmingoje aplinkoje, mažindama dinaminį garso signalo diapazoną. Yra trys glaudinimo lygiai:

DRC 0	Glaudinimas neatliekamas.
DRC 1/2	Atliekamas vidutinis glaudinimas.
DRC 1	Atliekamas maksimalus glaudinimas.

1. Spauskite įjungimo mygtuką, kad įjungtumėte radiją.
2. Spauskite diapazono pasirinkimo mygtuką, kad parinktumėte DAB diapazoną.
3. Paspauskite išplėstinio nustatymo mygtuką ir sukite garso / stočių nustatymo / pasirinkimo rankenėlę, kol ekrane bus rodomas užrašas „DRC Value“ (DRC vertė). Tada paspauskite garso / stočių nustatymo / pasirinkimo rankenėlę, kad įvestumėte nuostatą. Ekrane bus rodoma dabartinė DRC vertė.
4. Sukite garso / stočių nustatymo / pasirinkimo rankenėlę, kad pasirinktumėte norimą DRC nuostatą.
5. Paspauskite garso / stočių nustatymo / pasirinkimo rankenėlę, kad patvirtintumėte nuostatą.

Automatinė stočių paieška – FM

1. Spauskite įjungimo mygtuką, kad įjungtumėte radiją.
2. Spausdami diapazono pasirinkimo mygtuką, parinkite norimą radijo bangų diapazoną. Patikrinkite, ar gerai nustatėte lankščią, nulenkiamą anteną, kad būtų geriausiai priimamos FM bangos. Stenkitės nenaudoti radijo šalia kompiuterio ekrano ar kitų įrenginių, kurie gali kelti radijo trukdžius.
3. Paspauskite automatinio nustatymo mygtuką ir radijas ieškos stočių ir, radęs radijo stotį, automatiškai

sustabdys paiešką. Jeigu radus radijo stotį dar kartą nepaspausite automatinio nustatymo mygtuko, kad paieška būtų sustabdyta, radijas vėl tęs kitų esamų stočių paiešką.

4. Sukite garso / stočių nustatymo / pasirinkimo rankenėlę, kad pasirinktumėte norimą garso lygį. Skystųjų kristalų ekrane bus rodomi garso lygių pakeitimai.

Pastaba:

Norėdami naudoti garso / stočių nustatymo / pasirinkimo rankenėlę norimai stociiai rasti, paspauskite ir palaikykite nuspaudę garso / stočių nustatymo / pasirinkimo rankenėlę, kad įjungtumėte nustatymo valdymo režimą.

5. Norėdami išjungti radiją, paspauskite įjungimo mygtuką.

FM paieškos sritis

Naudojant FM režimą, radiją galima nustatyti taip, kad jis ieškotų arba vietos stočių, arba visų stočių, įskaitant tolimas radijo stotis.

Rankinis nustatymas – FM

1. Spauskite įjungimo mygtuką, kad įjungtumėte radiją.
2. Norėdami pasirinkti norimą bangų juostą, paspauskite diapazono pasirinkimo mygtuką. Nustatykite anteną, kaip aprašyta pirmiau.
3. Sukant garso / stočių nustatymo / pasirinkimo rankenėlę, dažnis bus keičiamas tokiomis padalomis: FM: 50 arba 100 kHz

Pastaba:

Norėdami naudoti garso / stočių nustatymo / pasirinkimo rankenėlę norimai stociiai rasti, paspauskite ir palaikykite nuspaudę garso / stočių nustatymo / pasirinkimo rankenėlę, kad įjungtumėte nustatymo valdymo režimą.

4. Toliau sukite garso / stočių nustatymo / pasirinkimo rankenėlę, kol ekrane bus rodomas norimas dažnis.
5. Sukite garso / stočių nustatymo / pasirinkimo rankenėlę, kad pasirinktumėte norimą garso lygį.
6. Norėdami išjungti radiją, paspauskite įjungimo mygtuką.

Rodinių režimai – FM

Radijui veikiant FM radijo režimu, galima pasirinkti kelias rodinį nuostatas:

Spaudykite informacijos mygtuką, kad perjungtumėte skirtingas parinktis.

- a. Programos stotis Rodo klausomos radijo stoties pavadinimą.
- b. Radijo tekstas Rodo tekstinius pranešimus, pavyzdžiui, naujienas ir pan.
- c. Programos pavadinimas Rodo klausomos stoties tipą, pavyzdžiui, „Pop“ (popmuzika), „Classic“ (klasika), „News“ (naujienos) ir pan.
- d. Laikas ir data Rodo dabartinį laiką ir datą.
- e. Dažnis Rodo FM signalo dažnį.

Stočių išsaugojimas iš anksto nustatytų stočių atmintyje (DAB ir FM)

Kiekvienai radijo bangų juostai galima iš anksto nustatyti ir atmintyje išsaugoti 5 radijo stočių nuostatas.

1. Spauskite įjungimo mygtuką, kad įjungtumėte radiją.
2. Raskite norimą radijo stotį vienu iš pirmiau aprašytų būdų.
3. Paspauskite ir palaikykite nuspaudę norimą iš anksto nustatytos radijo stoties mygtuką, kol ekrane bus rodomas iš anksto nustatytos radijo stoties numeris, pavyzdžiui, „P2 Saved“ (P2 išsaugotas). Tuomet stotis yra išsaugota ir priskirta pasirinktam iš anksto nustatytos radijo stoties mygtukui.
4. Pakartokite šiuos veiksmus likusioms išankstinėms nuostatoms atlikti.
5. Atmintyje išsaugotas radijo stotis galima perrašyti atlikus pirmiau nurodytus veiksmus.

Stočių iškvietimas iš anksto nustatytų stočių atminties (DAB ir FM)

1. Spauskite įjungimo mygtuką, kad įjungtumėte radiją.
2. Norėdami pasirinkti norimą bangų juostą, paspauskite diapazono pasirinkimo mygtuką.
3. Spustelėkite norimos iš anksto nustatytos stoties mygtuką. Ekrane pasirodys iš anksto nustatytos radijo stoties numeris ir dažnis.

Kalbų parinkty (tik modelyje DMR110)

Radijuje galima pasirinkti bet kurią iš aštuonių kalbų: anglų, vokiečių, italų, prancūzų, olandų, danų, norvegų ir lenkų.

1. Paspauskite išplėstinio nustatymo mygtuką.
2. Sukite garso / stočių nustatymo / pasirinkimo rankenėlę, kol ekrane bus rodoma „Language“ (kalba). Paspauskite garso / stočių nustatymo / pasirinkimo rankenėlę, kad įvestumėte nuostatą.
3. Sukite garso / stočių nustatymo / pasirinkimo rankenėlę, kad pasirinktumėte norimą kalbą. Paspauskite garso / stočių nustatymo / pasirinkimo rankenėlę, kad patvirtintumėte nuostatą.

Šviesumo valdymas

Ekraną foninį apšvietimą galima reguliuoti.

1. Paspauskite išplėstinio nustatymo mygtuką.
2. Sukite garso / stočių nustatymo / pasirinkimo rankenėlę, kol ekrane bus rodoma „Backlight“ (foninis apšvietimas). Paspauskite garso / stočių nustatymo / pasirinkimo rankenėlę, kad įvestumėte nuostatą.
3. Sukite garso / stočių nustatymo / pasirinkimo rankenėlę, kad įjungtumėte arba išjungtumėte foninio apšvietimo funkciją, o tada paspauskite garso / stočių nustatymo / pasirinkimo rankenėlę, kad patvirtintumėte nuostatą.

Sistemos atitaisymas

Jeigu radijas veikia netinkamai arba ekrane nerodomi kai kurie skaitmenys arba jie rodomi netinkamai, atlikite šiuos veiksmus.

1. Paspauskite išplėstinio nustatymo mygtuką.
2. Sukite garso / stočių nustatymo / pasirinkimo rankenėlę, kol ekrane bus rodoma „Factory Reset“ (gamyklos parametrų atkūrimas). Paspauskite garso /

stočių nustatymo / pasirinkimo rankenėlę, kad įvestumėte nuostatą.

3. Sukite garso / stočių nustatymo / pasirinkimo rankenėlę ir pasirinkite „Yes“ (taip). Paspauskite garso / stočių nustatymo / pasirinkimo rankenėlę, kad patvirtintumėte nuostatą, ir sistema bus visiškai atkurta.

Programinės įrangos versija

1. Paspauskite išplėstinio nustatymo mygtuką.
2. Sukite garso / stočių nustatymo / pasirinkimo rankenėlę, kol ekrane bus rodoma „SW Version“ (programinės įrangos versija). Spauskite garso / stočių nustatymo / pasirinkimo rankenėlę, kad būtų rodoma radijuje įdiegtos programinės įrangos versija.

„Micro-USB“ prievadas programinei įrangai naujinti

Vėliau gali būti sukurtos ir pateiktos naujos programinės įrangos versijos.

Atsiradus naujų programinės įrangos versijų, informacijos, kaip atnaujinti savo radiją, rasite „Makita“ tinklavietėje.

Kaip paleisti kitus garso įrenginius

⚠ PERSPĖJIMAS:

Prieš prijungdami kitus garso įrenginius, išjunkite šį prietaisą.

- Šiame prietaise yra 2 AUX IN įvesties lizdai. AUX IN 1 rasite priekinėje plokštėje, o AUX IN 2 – akumuliatoriaus skyriuje.
- Įjunkite stereofoninio arba monofoninio garso šaltinį (pvz. iPod, MP3 ar kompaktinių diskų grotuvą) arba į AUX IN 1, arba į AUX IN 2 naudodami audio laidą.
- Kelis kartus paspauskite ir atleiskite diapazono mygtuką, kol ekrane pasirodys „AU1“ arba „AU2“, tuomet AUX funkcija bus įjungta.

TECHNINĖ PRIEŽIŪRA

⚠ PERSPĖJIMAS:

- Niekada nenaudokite gazolino, benzino, tirpiklio, spirito arba panašių medžiagų. Gali atsirasti išblukimų, deformacijų arba įtrūkimų.

SPECIFIKACIJOS

Energijos reikalavimai

Kintamosios srovės adapteris	DC 12 V 1 A, centrinis kontaktas teigiamas
Akumuliatorius	Blokinis akumuliatorius: 7,2–10,8 KHz Įstumiamas akumuliatorius: 10,8–18 V
Dažnių juosta	FM 87,50–108 MHz DAB / DAB+ 174,928–239,200 MHz
DAB / DAB+ Kanalų paketas	DAB (III dažnių juosta) 5A–13F
Suderinamas standartas	DAB (DMR109) DAB / DAB+ (DMR110)

Elektros grandinės savybės

Garsiakalbis	3 coliai, 8 omai
Išvesties galia	7,2 V: 0,5 W x 2 10,8 V: 1,2 W x 2 14,4 V: 2,2 W x 2 18 V: 3,5 W x 2
Išvesties lizdas	3,5 mm skersmens (AUX IN1/ AUX IN2)
Antenos sistema	DAB / FM: lanksti, nulenkiama antena
Matmenys (I x P x A), mm	280 x 163 x 302
Svoris	4,0 kg (be akumulatoriaus)

EESTI (Originaaljuhendid)

SÜMBOLID

Järgnevalt kirjeldatakse seadmel kasutatavaid sümboleid. Veenduge enne seadme kasutamist, et olete nende tähendusest aru saanud.



..... Lugege kasutusjuhendit.



Cd
Ni-MH
Li-Ion

..... Üksnes ELI liikmesriikidele
Ärge käideldge kasutuskõlbmatuks muutunud elektriseadmeid ega akusid koos olmejäätmetega!
Vastavalt Euroopa Parlamendi ja Nõukogu direktiivile 2002/96/EÜ elektri- ja elektroonikaseadmete jäätmete kohta, direktiivile 2006/66/EÜ patareide ja akude ning patarei- ja akujäätmete kohta ning nende nõuete kohaldamisele liikmesriikides tuleb kasutuskõlbmatuks muutunud elektriseadmeid ja akud koguda eraldi ja keskkonnasäästlikult korduskasutada või ringlusse võtta.

TÄHTSAD OHUTUSJUHISED

⚠ HOIATUS:

Elektriseadmete kasutamisel tuleb tulekahju-, elektrilöögi- ja vigastamise ohu vähendamiseks alati järgida peamisi ohutusalaseid ettevaatusabinõusid, kaasa arvatud järgmisi:

1. Enne kasutamist tutvuge põhjalikult selle kasutusjuhendiga ja laadija kasutusjuhendiga.
2. Puhastamisel kasutage ainult kuiva lappi.
3. Vältige seadme paigaldamist soojusallikate lähedale, näiteks radiaatorite, küttesüsteemi ventilatsioonirestide, ahjude ja muude soojusallikate (kaasa arvatud võimendajad) lähedale.
4. Kasutage ainult tootja poolt ette nähtud liseseadmeid.
5. Äikesetormide ajal või pikaajalisel mittekasutamisel ühendage seade toitevõrgust lahti.
6. Akuraadios kasutatavate akude või eraldi akude laadimiseks on lubatud kasutada ainult selleks ettenähtud laadijat. Laadija, mis sobib ühte tüüpi akudega, võib teist tüüpi akude kasutamisel tekitada tuleohtu.
7. Kasutage akuraadiot üksnes ettenähtud akudega. Mis tahes muude akude kasutamine võib tekitada tuleohtu.
8. Kui te parajasti akut ei kasuta, ärge hoidke seda koos muude metallesemetega, nagu kirjaklambrid, mündid, võtmed, naelad, kruvid jm väiksed metallesemed, mis võivad tekitada ühenduse klemmide vahel. Akuklemmide lühistamine võib põhjustada sädemeid, põletusi või tulekahju.
9. Vältige keha kokkupuudet maandatud pindadega, nagu torud, radiaatorid, pliidid ja külmikud. Maandatud keha korral on elektrilöögi oht oluliselt suurem.
10. Väärkasutamise tagajärjel võib akust välja valguda vedelikku – vältige kokkupuudet sellega. Kui olete vedelikuga siiski kogemata kokku puutunud, loputage saastunud kohta veega. Kui vedelik on sattunud silma,

pöörduge kohe arsti poole. Akust väljavalgunud vedelik võib põhjustada ärritust ja põletusi.

11. VOOLUVÕRGU pistikut kasutatakse lahtiuhendamise seadmena ning see peab olema hõlpsasti käsitsetav.

HOIDKE NEED JUHISED ALLES

TÄHTSAD OHUTUSJUHISED AKUKASSETI KASUTAMISEKS

1. Enne akukasseti kasutamist lugege läbi kõik (1) akulaadijal, (2) akul ja (3) akut kasutaval tootel olevad juhised ja hoiatused.
2. Ärge monteerige akukassetti lahti.
3. Kui tööaeg lüheneb märgatavalt, lõpetage koheselt kasutamine. Edasise kasutamisega võib kaasneda ülekuumenemisoht, põletused või isegi plahvatus.
4. Kui elektroliit satub silma, loputage silmi puhta veega ja pöörduge kohe arsti poole. See võib põhjustada pimedaks jäämist.
5. Ärge tekitage akukassettis lühist:
 - (1) Ärge puutuge klemme elektrijuhtidega.
 - (2) Ärge hoidke akukassetti tööriistakassis koos metallesemetega, nagu naelad, mündid jne.
 - (3) Ärge tehke akukassetti märjaks ega jätke seda vihma kätte. Aku lühis võib põhjustada tugevat elektrivoolu, ülekuumenemist, põletusi ning ka seadet tõsiselt kahjustada.

Aku lühis võib põhjustada tugevat elektrivoolu, ülekuumenemist, põletusi ning ka seadet tõsiselt kahjustada.

6. Ärge hoidke tööriista ega akukassetti kohtades, kus temperatuur võib tõusta üle 50 °C.
7. Ärge põletage akukassetti isegi siis, kui see on saanud tõsiselt kahjustada või on täiesti kulunud. Akukassett võib tules plahvatada.
8. Olge ettevaatlik ja ärge laske akul maha kukkuda ning vältige lööke selle pihta.
9. Ärge kasutage kahjustatud akut.
10. Kassettis olevatele liitiumioonakudele kohaldatakse ohtlikele kaupadele kehtivaid õigusakte. Kaubanduslike vedude korral (nt kolmandate isikute või ekspedeerijate poolt) tuleb järgida pakendamise ja tähistamise erinõudeid. Enne toote transportimist tuleb konsulteerida ohtlike ainete asjatundjaga. Järgige samuti siseriiklike õigusakte, mis võivad olla üksikasjalikumad. Katke lahtised kontaktid kleepindi või kattega ning pakkige aku nii, et see ei saa pakendis liukuda.
11. Kõrvaldage kasutuskõlbmatuks muutunud aku vastavalt kohalikele jäätmekäituseeskirjadele.

HOIDKE KASUTUSJUHEND ALLES.

⚠ **ETTEVAATUST:** Kasutage ainult Makita algupäraseid akusid. Muude kui Makita algupärase akude või muudetud akude kasutamine võib tuua kaasa aku plahvatusse ning põhjustada tulekahju, kehavigastusi ja ainelist kahju. Sellisel juhul kaotab kehtivuse ka Makita tööriista ja laadija Makita garantii.

Nõuandeid aku maksimaalse kasutusea tagamiseks

1. Laadige akukassetti enne, kui see on täielikult tühjenenud.
Alati, kui märkate, et seade töötab väiksema võimsusega, peatage töö ja laadige akut.
2. Ärge kunagi laadige täislaetud akukassetti.
Liigne laadimine lühendab aku kasutusiga.
3. Laadige akukassetti toatemperatuuril 10 °C – 40 °C (50 °F – 104 °F). Laske kuumaal akukassetil enne laadimist maha jahtuda.
4. Laadige akukassetti, kui te ei kasuta seda pikema perioodi vältel (enam kui kuus kuud).

ÜLDVAATE SELGITUS (Joon. 1–12)

1. Toitenupp
2. Laineala nupp
3. Täiustatud seadistuse nupp
4. Teabenupp
5. Eelseadistusnupp
6. Automaatse häälestuse nupp
7. Helitugevuse/häälestamise/valimise nupp
8. Alalisvoolu pistikupes
9. AUX IN 1 (lisisisend)
10. LCD-näidik
11. Pehme painutatav varrasantenn
12. Käepide
13. Akupes
14. Kõlar
15. Akupes
16. Sisendterminal (AUX IN 2)
17. Mikro-USB-port tarkvara täiendamiseks
18. Akupes
19. Punane indikaator
20. Nupp
21. Akukassett
22. Indikaatorlambid
23. Kontrollnupp

FUNKTSIOONID

- FM/DAB (DMR109)
- FM/DAB või DAB+ (DMR110)
- Suur valgustusega LCD-näidik
- Käsijuhtimisega/eelseadistatud/skaneeriv raadiojaamade häälestamine
- Pöörlev raadiojaamade häälestamise nupp ja pöörlev helitugevusnupp
- 5 eelseadistatud jaama igas lainealas
- Mikro-USB-port tarkvara täiendamiseks
- Stereokõlar heli paremaks esitamiseks
- Eriti vastupidav konstruktsioon
- Veekindel vastavalt kaitseklassile IP64
- Töötab nii Makita akukassetiga kui ka kaasasoleva elektritoite adapteriga

TÖÖAEG

Alljärgnevas tabelis on näidatud tööaeg täislaetud akuga.

Aku mahtuvus	Akukasetti pinge					Kõlari väljundvõimsus = 50 mW + 50 mW Ühik: tund (ligikaudu)
	7,2 V	10,8 V	10,8 V - 12 Vmax	14,4 V	18 V	
1,0 Ah	BL7010					4,5 tundi
1,3 Ah		BL1013				5,5 tundi
				BL1415		5,0 tundi
					BL1815	6,0 tundi
1,5 Ah	BL0715					6,5 tundi
			BL1015/ BL1016			8,0 tundi
				BL1415N		7,0 tundi
					BL1815N	7,5 tundi
2,0 Ah			BL1020B/ BL1021B		BL1820 BL1820B	10 tundi
3,0 Ah				BL1430 BL1430B		11 tundi
					BL1830 BL1830B	14 tundi
4,0 Ah			BL1040B/ BL1041B		BL1840 BL1840B	20 tundi
				BL1440		18 tundi
5,0 Ah				BL1450		22 tundi
					BL1850 BL1850B	25 tundi
6,0 Ah				BL1460B		24 tundi
					BL1860B	31 tundi

□ : kobaraku □ : liugaku

* Tööaeg põhineb töötamisel kanalil DAB/DAB+ ühekordsel laadimisel.

* Tööaeg võib olla erinev, sõltudes aku tüübist, laetuse tasemest ja kasutustingimustest.

PAIGALDAMINE

Liugakukasetti paigaldamine või eemaldamine (Joon. 4–6)

⚠ ETTEVAATUST:

Lülitage raadio alati enne akukasetti paigaldamist või eemaldamist välja.

- Akukasetti paigaldamiseks joondage akukasetti keel korpuse soonega ja libistage kassett kohale. Paigaldage kassett nii kaugemale, et see lukustuks klõpsatusega oma kohale.
- Kui näete nupu ülaosas punast indikaatorit, pole akukasetti täielikult lukustunud. Paigaldage see täies ulatuses nii, et punane indikaator ei jääks näha. Vastasel korral võib akukasetti raadiost välja kukkuda ning vigastada teid või läheduses viibivaid inimesi.
- Ärge kasutage akukasetti paigaldamisel jõudu. Kui kassett ei lähe kergesti sisse, pole see õigesti paigaldatud.
- Akukasetti eemaldamiseks libistage see raadiost välja, lükates kasseti esiküljel paiknevat nuppu, või vajutage kasseti mõlemal küljel olevatele nuppudele.

Lükake akupesa sulgur algasendisse tagasi.

Võimsuse vähenemine, deformeerumine ja „kokutamine“ on tunnused, mis näitavad, et aku tuleb välja vahetada.

Märkus:

Akupakki ei saa laadida kaasasoleva vahelduvvooluadapteri kaudu.

Kobarakukasetti paigaldamine või eemaldamine (Joon. 7 ja 8)

⚠ ETTEVAATUST:

Lülitage raadio alati enne akukasetti paigaldamist või eemaldamist välja.

- Akukasetti paigaldamiseks joondage akukasetti keel korpuse soonega ja libistage kassett oma kohale.
- Akukasetti eemaldamiseks võtke see klemmi küljest lahti, vajutades samal ajal kasseti küljel paiknevaid nuppe.

Lükake akupesa sulgur algasendisse tagasi.

Võimsuse vähenemine, deformeerumine ja „kokutamine“ on tunnused, mis näitavad, et aku tuleb välja vahetada.









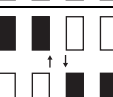
Märkus:

Akupakki ei saa laadida kaasasoleva vahelduvvooluadapteri kaudu.

Aku jääklaetuse näit (Joon. 9)

Ainult akukassettide puhul, mille mudeli numbril lõpus on „B“

Aku jääklaetuse näidu kuvamiseks vajutage akukassetti olevale kontrollnupule. Indikaatorlambid süttivad paariks sekundiks.

Indikaatorlambid			Jääklaetus
 Põleb	 Väljas	 Vilgub	
			75% kuni 100%
			50% kuni 75%
			25% kuni 50%
			0% kuni 25%
			Laadige akut.
			Aku võib olla rikkis.

Märkus:

- Näidatud laetus võib veidi erineda tegelikust laetusest, olenevalt kasutustingimustest ja ümbritseva keskkonna temperatuurist.

Pehme painutatava varrasantenni paigaldamine (Joon. 10 ja 11)

Paigaldage pehme painutatav varrasantenn vastavalt joonisele.

Märkus:

Akupesas on koht eemaldatud antenni hoidmiseks.

Kaasasoleva vahelduvvooluadapteri kasutamine (Joon. 12)

Eemaldage kummikaitse ning sisestage adapteri pistik raadio esiküljel asuvasse alalisvoolu pistikupesasse. Ühendage adapter standardsesse elektrivõrgu pistikupesasse. Adapteri kasutamisel ühendatakse akupakk automaatselt lahti. Kui vahelduvvooluadapterit ei kasutata, ühendage see vooluvõrgust lahti.

TÖÖTAMINE

Raadiol on kolm häälestusmeetodit – skaneeriv häälestus, käsijuhtimisega häälestus ja mälu eelseadistuste kasutamine.

Jaama valimine – DAB

- Raadio sisselülitamiseks vajutage toitenuppu.
- Valige DAB-režiim, vajutades laineala nuppu.

- Vajutage täiustatud seadistuse nuppu ja keerake helitugevuse/häälestamise/valimise nuppu, kuni näidikul hakkab vilkuma „Station List“ (jaamade loend). Jaamade loendisse sisenemiseks vajutage helitugevuse/häälestamise/valimise nuppu.
- Saadavalolevate jaamade sirvimiseks keerake helitugevuse/häälestamise/valimise nuppu. Jaama valimiseks vajutage nuppu.
- Reguleerige helitugevus sobivaks, keerates helitugevuse/häälestamise/valimise nuppu.

Näidiku režiimid – DAB

Raadio näidikul on DAB-režiimis mitmesugused võimalused.

Vajutage teabenuppu, et sirvida erinevaid võimalusi, mis on näidatud järgmistele tähtedele (a. kuni g.).

- Jaama nimi Kuvab kuulatava jaama nime.
- Programmi tüüp Kuvab kuulatava jaama tüübi. Nt Pop (popmuusika), Classics (klassikaline muusika), News (uudised) jne.
- Multipleksi nimi Kuvab selle DAB multipleksi nime, kellele käesolev jaam kuulub.
- Kellaeg ja kuupäev Kuvab praeguse kellaaja ja kuupäeva.
- Sagedus ja kanal Kuvab praegu häälestatud DAB jaama sageduse ja kanali numbrit.
- Bitikiirus / heli tüüp Kuvab praegu häälestatud DAB jaama digitaalse heli bitikiiruse ja heli tüübi.
- Signaali tugevus Kuvab praegu häälestatud DAB jaama signaali tugevuse.

Uute jaamade otsimine – DAB

Aeg-ajalt võetakse kasutusele uued DAB raadiojaamad. Või siis teie kolite riigi teise piirkonda. Sellisel juhul võib teil tekkida vajadus aktiveerida oma raadio, et skaneerida uusi jaamasid.

Selleks, et võimaldada raadiol otsida saadavalolevaid jaamasid, on soovitatav teha kogu DAB laineala III sageduste täielik skaneerimine.

- Vajutage automaatselt häälestuse nuppu.
- Raadio teostab DAB sageduste täieliku skaneerimise. Uute jaamade leidmisel hakkab näidiku vasakpoolsel küljel olev jaamaloendur suurenema ning jaamad lisatakse loendisse.

Käsijuhtimisega häälestus – DAB

Käsijuhtimisega häälestus võimaldab teil häälestada oma raadio konkreetsele DAB sagedusele lainealas III. Seda funktsiooni saab kasutada ka antenni või raadio positsioonimiseks, et optimeerida konkreetse kanali või sageduse vastuvõttu.

- Vajutage täiustatud seadistuse nuppu ja keerake helitugevuse/häälestamise/valimise nuppu, kuni näidikule kuvatakse „Manual Tune“ (käsijuhtimisega häälestus). Käsijuhtimisega häälestuse režiimi sisenemiseks vajutage helitugevuse/häälestamise/valimise nuppu.
- Sobiva DAB kanali valimiseks keerake helitugevuse/häälestamise/valimise nuppu. Valitud sageduse

kinnitamiseks vajutage helitugevuse/häälestamise/valimise nuppu.

Jaama järjekorra häälestus – DAB

Raadiol on 3 jaama järjekorra seadistust, mille seast saate valida. Jaama järjekorra seadistused on tähelisnumbriline, komplekt ja kehtiv jaam.

1. Vajutage täiustatud seadistuse nuppu.
2. Keerake helitugevuse/häälestamise/valimise nuppu, kuni näidikule kuvatakse „Station order“ (jaama järjekord), seejärel vajutage helitugevuse/häälestamise/valimise nuppu, et siseneda seadistusse.
3. Keerake helitugevuse/häälestamise/valimise nuppu, et valida järgmisi suvandeid, ja seadistuse kinnitamiseks vajutage seda nuppu.

Tähelisnumbriline Sorteerib jaamade loendit tähelisnumbriliselt 0...9 A...Z

Komplekt Korrastab jaamade loendit DAB multipleksi järgi

Kehtiv Kuvab ainult need jaamad, mille signaali saab leida

Dünaamilise diapasooni reguleerimine (Dynamic Range Control – (DRC)) – DAB

DRC funktsioon muudab vaiksemad helid paremini kuuldavaks raadio kasutamisel mürarikas keskkonnas, vähendades helisignaali dünaamilist diapasooni.

Kompressiooni tasemeid on kolm:

DRC 0	Kompressiooni ei rakendata.
DRC 1/2	Rakendatakse keskmisel tasemel kompressiooni.
DRC 1	Rakendatakse maksimaalsel tasemel kompressiooni.

1. Raadio sisselülitamiseks vajutage toitenuppu.
2. DAB laineala valimiseks vajutage laineala nuppu.
3. Vajutage täiustatud seadistuse nuppu ja keerake helitugevuse/häälestamise/valimise nuppu, kuni näidikule kuvatakse „DRC Value“ (DRC väärtus). Seejärel vajutage helitugevuse/häälestamise/valimise nuppu, et siseneda seadistusse. Näidikule kuvatakse praegune DRC väärtus.
4. Sobiva DRC seadistuse valimiseks keerake helitugevuse/häälestamise/valimise nuppu.
5. Seadistuse kinnitamiseks vajutage helitugevuse/häälestamise/valimise nuppu.

Skaneeriv häälestamine – FM

1. Raadio sisselülitamiseks vajutage toitenuppu.
2. Soovitud laineala valimiseks vajutage laineala nuppu. Veenduge, et pehme painutatav varrasantenn asub parimas FM laineala vastuvõualas. Vältige raadio kasutamist arvutikuvari ning muude raadiohäireid põhjustavate seadmete läheduses.
3. Vajutage automaatse häälestuse nuppu ja raadio alustab otsingut ning lõpetab selle automaatselt, kui leiab raadiojaama. Raadio jätkab järgmise saadavaloleva jaama otsimist, välja arvatud juhul, kui kasutaja vajutab automaatse häälestuse nuppu, et skaneerimine lõpetada.
4. Sobiva helitugevuse taseme valimiseks keerake helitugevuse/häälestamise/valimise nuppu.

LCD-näidikule ilmub muudetud helitugevuse tase.

Märkus:

Selleks, et kasutada helitugevuse/häälestamise/valimise nuppu soovitud jaama leidmiseks, vajutage helitugevuse/häälestamise/valimise nuppu, et lülitada häälestuse režiim sisse.

5. Raadio väljalülitamiseks vajutage toitenuppu.

FM skaneerimise tsoon

FM režiimi kasutamisel saab raadio seadistada kas kohalike jaamade skaneerimiseks või kõigi jaamade (sh kaugraadiojaamad) skaneerimiseks.

Käsijuhtimisega häälestamine – FM

1. Raadio sisselülitamiseks vajutage toitenuppu.
2. Soovitud laineala valimiseks vajutage laineala nuppu. Vestuleerige antenn vastavalt eelpool kirjeldatule.
3. Helitugevuse/häälestamise/valimise nupu keeramine muudab sagedust järgmise sammuga:
FM: 50 või 100 kHz

Märkus:

Selleks, et kasutada helitugevuse/häälestamise/valimise nuppu soovitud jaama leidmiseks, vajutage helitugevuse/häälestamise/valimise nuppu, et lülitada häälestuse režiim sisse.

4. Keerake helitugevuse/häälestamise/valimise nuppu seni, kuni näidikule kuvatakse soovitud sagedus.
5. Sobiva helitugevuse taseme valimiseks keerake helitugevuse/häälestamise/valimise nuppu.
6. Raadio väljalülitamiseks vajutage toitenuppu.

Näidiku režiimid – FM

Raadio näidikul on FM raadio režiimis mitmesugused võimalused.

Vajutage korduvalt teabenuppu, et sirvida erinevaid võimalusi.

- a. Programmi jaam Kuvab kuulatava jaama nime.
- b. Raadiotekst Kuvab raadio tekstiteavet, nagu näiteks järgmist pala vms.
- c. Programmi tüüp Kuvab kuulatava jaama tüübi, nt Pop (popmuusika), Classic (klassikaline muusika), News (uudised) jne.
- d. Kellaageg ja kuupäev Kuvab praeguse kellaaja ja kuupäeva.
- e. Sagedus Kuvab FM signaali sageduse.

Jaamade salvestamine mälusse (DAB ja FM)

Igal lainealal on võimalik salvestada 5 sagedust.

1. Raadio sisselülitamiseks vajutage toitenuppu.
2. Häälestage raadio soovitud raadiojaamale kasutades ühte eelpool kirjeldatud meetodit.
3. Vajutage ja hoidke eelseadistusnuppu, kuni näidikule kuvatakse eelseadistuse number, näiteks „P2 Saved“ (P2 salvestatud). Jaam salvestatakse seejärel valitud eelseadistusnupus.
4. Korrake antud tegevust järelejäädud eelseadistusnuppude jaoks.
5. Mälusse salvestatud jaamad on võimalik eespool kirjeldatud protseduure järgides üle kirjutada.

Mälusse salvestatud jaamade kasutamine (DAB ja FM)

1. Raadio sisselülitamiseks vajutage toitenuppu.
2. Soovitud laineala valimiseks vajutage laineala nuppu.
3. Vajutage hetkeks soovitud eelseadistusnuppu.
Näidikule kuvatakse eelseadistuse number ja raadiojaama sagedus.

Keele valikuvõimalused (saadaval ainult mudelil DMR110)

Raadios on saadaval kaheksa keelt: inglise, saksa, itaalia, prantsuse, hollandi, taani, norra ja poola.

1. Vajutage täiustatud seadistuse nuppu.
2. Keerake helitugevuse/häälestamise/valimise nuppu seni, kuni näidikule kuvatakse „Language“ (keel). Seadistusse sisenemiseks vajutage helitugevuse/häälestamise/valimise nuppu.
3. Sobiva keele valimiseks keerake helitugevuse/häälestamise/valimise nuppu. Seadistuse kinnitamiseks vajutage helitugevuse/häälestamise/valimise nuppu.

Heleduse reguleerimine

Näidiku tagantvalgustust saab reguleerida.

1. Vajutage täiustatud seadistuse nuppu.
2. Keerake helitugevuse/häälestamise/valimise nuppu seni, kuni näidikule kuvatakse „Backlight“ (tagantvalgustus). Seadistusse sisenemiseks vajutage helitugevuse/häälestamise/valimise nuppu.
3. Keerake helitugevuse/häälestamise/valimise nuppu, et valida tagantvalgustuse funktsiooni lubamine või keelamine. Seejärel vajutage helitugevuse/häälestamise/valimise nuppu, et seadistus kinnitada.

Süsteemi lähtestamine

Kui raadio ei tööta õigesti või mõned numbrid puuduvad näidikult või numbrid ei ole täielikud, siis teostage järgmine protseduur.

1. Vajutage täiustatud seadistuse nuppu.
2. Keerake helitugevuse/häälestamise/valimise nuppu seni, kuni näidikule kuvatakse „Factory Reset“ (tehaseadete lähtestamine). Seadistusse sisenemiseks vajutage helitugevuse/häälestamise/valimise nuppu.
3. Keerake helitugevuse/häälestamise/valimise nuppu, et valida „Yes“ (jah). Vajutage helitugevuse/häälestamise/valimise nuppu, et kinnitada seadistus, ning seejärel teostatakse täielik lähtestamine.

Tarkvara versioon

1. Vajutage täiustatud seadistuse nuppu.
2. Keerake helitugevuse/häälestamise/valimise nuppu seni, kuni näidikule kuvatakse „SW Version“ (tarkvara versioon). Vajutage helitugevuse/häälestamise/valimise nuppu, et vaadata raadiosse installitud tarkvara versiooni.

Mikro-USB-port tarkvara täiendamiseks

Raadio jaoks võivad tulevikus saadaval olla tarkvara versiooni täiendused.

Kui uus tarkvara versioon on saadaval, leiate vastava tarkvara ja teabe raadio ajakohastamise kohta **Makita veebilehelt**.

Muude audiorakenduste kasutamine

⚠ ETTEVAATUST:

Enne muude rakenduste ühendamist lahutage seade toitevõrgust.

- Seadmel on 2 AUX IN pistikupesaga. AUX IN 1 asub esipaneelil ning AUX IN 2 asub akupesas.
- Ühendage stereo- või mono-allikas (näiteks iPod, MP3 või CD-mängija) audiojuhtme kaudu kas AUX IN 1 või AUX IN 2 pistikupesaga.
- Vajutage ning vabastage korduvalt laineala nuppu, kuni näidikule kuvatakse „AU1“ või „AU2“, seejärel aktiveerub AUX-funktsioon.

HOOLDUS

⚠ ETTEVAATUST:

- Ärge kunagi kasutage bensiini, vedeldit, alkoholi ega midagi muud sarnast. Selle tulemuseks võib olla luitumine, deformatsioon või pragunemine.

TEHNILISED ANDMED

Elektritoite nõuded

Vahelduvvoolu adapter	Alalisvool 12 V / 1 A, keskmine kontakt positiivne
Aku	Kobaraku: 7,2 V–10,8 V Liugaku: 10,8 V–18 V
Sagedusala	FM 87,5–108 MHz DAB/DAB+ 174,928–239,200 MHz
DAB/DAB+ kanaliplokk	DAB (laineala III) 5A-13F
Ühilduv standard	DAB (DMR109) DAB/DAB+ (DMR110)

Süsteemi omadused

Kõlar	3 tolli 8 oomi
Väljundvõimsus	7,2 V: 0,5 W X 2 10,8 V: 1,2 W X 2 14,4 V: 2,2 W X 2 18 V: 3,5 W X 2
Sisendterminal	3,5 mm diameeter (AUX IN1/AUX IN2)
Antennisüsteem	DAB/FM: pehme painutatav varrasantenn
Mõõtmed (P x L x K) (mm)	280 x 163 x 302
Kaal	4,0 kg (ilma akuta)

СИМВОЛЫ

Ниже приведены символы, используемые для данного устройства. Перед использованием убедитесь, что вы понимаете их значение.



..... Прочтите руководство по эксплуатации.



..... Только для стран ЕС
Не выбрасывайте электрооборудование или аккумуляторы вместе с бытовым мусором!



В соответствии с европейской директивой 2002/96/ЕС об утилизации электрического и электронного оборудования, директивой 2006/66/ЕС о батареях и аккумуляторах, а также использованных батареях и аккумуляторах, и их применения в соответствии с местными законами электрооборудование и аккумуляторы, срок эксплуатации которых истек, должны утилизироваться отдельно безопасным для окружающей среды способом.

ВАЖНЫЕ ИНСТРУКЦИИ ПО ТЕХНИКЕ БЕЗОПАСНОСТИ

ПРЕДОСТЕРЕЖЕНИЕ:

Во избежание риска возгорания, поражения электрическим током или получения травмы при использовании электроинструмента следует соблюдать основные правила техники безопасности, указанные ниже.

1. Перед использованием внимательно прочитайте это руководство по эксплуатации и руководство по эксплуатации зарядного устройства.
2. Очищайте только сухой салфеткой.
3. Не устанавливайте вблизи источников тепла, например, радиаторов, обогревателей, печей и других приборов (включая усилители), вырабатывающих тепло.
4. Используйте только насадки/дополнительные принадлежности, указанные производителем.
5. Отсоединяйте устройство от розетки во время грозы или если оно не используется в течение длительного времени.
6. Радио с питанием от встроенного или внешнего аккумулятора следует заряжать только с помощью специального зарядного устройства. Зарядное устройство, подходящее для одного типа аккумуляторов, может привести к пожару при его использовании с другим аккумулятором.
7. Используйте радио только с рекомендованными аккумуляторными блоками. Использование других аккумуляторов может привести к пожару.

8. Когда аккумуляторный блок не используется, храните его отдельно от металлических предметов, таких как скрепки, монеты, ключи, гвозди, шурупы или другие небольшие металлические предметы, которые могут привести к закорачиванию контактов аккумуляторного блока между собой. Короткое замыкание между контактами аккумуляторного блока может привести к искрению, ожогам или пожару.
9. Избегайте контакта участков тела с такими заземленными поверхностями, как трубы, радиаторы, батареи отопления и холодильники. При контакте тела с заземлением повышается опасность поражения электрическим током.
10. При неправильном обращении из аккумулятора может потечь жидкость. Избегайте контакта с ней. В случае контакта с кожей промойте место контакта обильным количеством воды. В случае попадания в глаза, обратитесь к врачу. Жидкость из аккумулятора может вызвать раздражение или ожоги.
11. Сетевая вилка используется в качестве устройства отключения и должна быть исправна.

СОХРАНИТЕ ДАННЫЕ ИНСТРУКЦИИ

ВАЖНЫЕ ИНСТРУКЦИИ ПО ТЕХНИКЕ БЕЗОПАСНОСТИ ОТНОСИТЕЛЬНО АККУМУЛЯТОРНОГО БЛОКА

1. Перед использованием аккумуляторного блока прочитайте все инструкции и предупреждающие надписи на (1) зарядном устройстве, (2) аккумуляторном блоке и (3) инструменте, работающем от аккумуляторного блока.
2. Не разбирайте аккумуляторный блок.
3. Если время работы значительно сократилось, немедленно прекратите работу. В противном случае может произойти перегрев, что может привести к получению ожогов или даже к взрыву.
4. В случае попадания электролита в глаза промойте их большим количеством чистой воды и немедленно обратитесь к врачу. Это может привести к потере зрения.
5. Не замыкайте контакты аккумуляторного блока между собой:
 - (1) Не прикасайтесь к контактам какими-либо токопроводящими предметами.
 - (2) Не храните аккумуляторный блок в контейнере вместе с другими металлическими предметами, такими как гвозди, монеты и т. п.
 - (3) Не допускайте попадания на аккумуляторный блок воды или дождя. Замыкание контактов аккумуляторного блока между собой может привести к возникновению большого тока, перегреву, возможному ожогу и даже разрыву блока.

Замыкание контактов аккумуляторного блока между собой может привести к возникновению большого тока, перегреву, возможным ожогам и даже разрыву блока.

6. Не храните инструмент и аккумуляторный блок в местах, где температура может достигать или превышать 50°C (122°F).
7. Не бросайте аккумуляторный блок в огонь, даже если он сильно поврежден или полностью вышел из строя. Аккумуляторный блок может взорваться под действием огня.
8. Не роняйте и не ударяйте аккумулятор.
9. Не используйте поврежденный аккумулятор.
10. На используемые литий-ионные аккумуляторы распространяются требования закона об опасных для здоровья и окружающей среды товарах. Для осуществления коммерческих перевозок, например, сторонними организациями или транспортно-экспедиционными агентствами необходимо соблюдать особые требования к упаковке и маркировке.
Для подготовки изделия, подлежащего транспортировке, при необходимости обратитесь к специалисту по опасным материалам. Кроме того, соблюдайте, возможно, более детальные требования национального законодательства.
Заклейте лентой или закройте открытые контакты и упакуйте аккумулятор таким образом, чтобы он не перемещался внутри упаковки.
11. Выполняйте требования местного законодательства относительно утилизации аккумулятора.

СОХРАНИТЕ ДАННЫЕ ИНСТРУКЦИИ.

⚠ ПРЕДУПРЕЖДЕНИЕ: Используйте только оригинальные аккумуляторы Makita. Использование неоригинальных аккумуляторов Makita или аккумуляторов, в конструкцию которых были внесены изменения, может привести к взрыву аккумулятора и последующему пожару, а также к травмам и повреждениям. Также в этом случае будет признана недействительной гарантия Makita на инструмент Makita и зарядное устройство.

Советы по обеспечению максимального срока службы аккумулятора

1. Заряжайте аккумуляторный блок до того, как он полностью разрядится.
В случае потери мощности при эксплуатации инструмента прекратите работу и зарядите аккумуляторный блок.
2. Никогда не перезаряжайте полностью заряженный аккумуляторный блок.
Перезарядка сокращает срок службы аккумуляторного блока.
3. Зарядите аккумуляторный блок при комнатной температуре (10°C - 40°C). Перед зарядкой дайте горячему аккумуляторному блоку остыть.
4. Зарядите аккумуляторный блок, если вы не будете пользоваться инструментом в течение длительного времени (более шести месяцев).

ПОЯСНЕНИЯ К ОБЩЕМУ ВИДУ (рис. 1 - 12)

1. Кнопка питания
2. Кнопка Band (Полоса частот)
3. Кнопка Advanced (Расширенные настройки)
4. Кнопка Info (Информация)
5. Кнопки Preset
6. Кнопка Auto tune (Автонастройка)
7. Регулятор громкости/настройки/выбора
8. Гнездо DC IN (вход питания постоянного тока)
9. Вход AUX IN 1
10. ЖК-экран
11. Штыревая антенна
12. Ручка
13. Крышка батарейного отсека (закрывает аккумуляторный блок)
14. Динамик
15. Замок батарейного отсека
16. Входной контакт (AUX IN 2)
17. Порт micro USB для обновления программного обеспечения
18. Батарейный отсек
19. Красный индикатор
20. Кнопка
21. Аккумуляторный блок
22. Индикаторы
23. Кнопка проверки

ФУНКЦИИ

- FM/DAB (DMR109)
- FM/DAB или DAB+ (DMR110)
- Большой ЖК-экран с подсветкой
- Настройки: ручная/предварительная/методом сканирования
- Поворотный регулятор настройки и уровня громкости
- 5 предустановок станций для каждого диапазона частот
- Порт micro USB для обновления программного обеспечения
- Стереодинамик для глубокого, насыщенного звука
- Сверхпрочная конструкция
- Класс влагозащиты IP64
- Питание от аккумуляторного блока Makita и прилагаемого сетевого адаптера

ВРЕМЯ РАБОТЫ

В следующей таблице показано время работы с полностью заряженным аккумулятором.

Емкость аккумулятора	Напряжение аккумуляторного блока					На выходе динамика = 50 мВт + 50 мВт Единицы измерения: часы (приблизительно)
	7,2 В	10,8 В	10,8 В - 12 В макс	14,4 В	18 В	
1,0 А-ч	BL7010					4,5 ч
1,3 А-ч		BL1013				5,5 ч
				BL1415		5,0 ч
1,5 А-ч					BL1815	6,0 ч
	BL0715					6,5 ч
			BL1015/ BL1016			8,0 ч
				BL1415N		7,0 ч
2,0 А-ч					BL1815N	7,5 ч
			BL1020B/ BL1021B		BL1820 BL1820B	10 ч
3,0 А-ч				BL1430 BL1430B		11 ч
					BL1830 BL1830B	14 ч
4,0 А-ч			BL1040B/ BL1041B		BL1840 BL1840B	20 ч
				BL1440		18 ч
5,0 А-ч				BL1450		22 ч
					BL1850 BL1850B	25 ч
6,0 А-ч				BL1460B		24 ч
					BL1860B	31 ч

: Аккумуляторный блок : Выдвижной аккумулятор

* Время работы указано для режима DAB/DAB+ на одной зарядке.

* Время работы может отличаться в зависимости от типа аккумулятора, состояния заряда и условий использования.

УСТАНОВКА

Установка или снятие выдвижного аккумуляторного блока (рис. 4 - 6)

ПРЕДУПРЕЖДЕНИЕ:

Обязательно выключайте радио перед снятием аккумуляторного блока.

- Для установки аккумуляторного блока совместите выступ аккумуляторного блока с пазом в корпусе и задвиньте его на место. Всегда удерживайте блок до упора так, чтобы он зафиксировался на месте с наибольшим щелчком.
- Если вы можете видеть красный индикатор на верхней стороне кнопки, аккумулятор установлен на место неполностью. Установите его до конца так, чтобы красный индикатор был не виден. В противном случае он может выпасть из радио и нанести травму вам или другим людям.
- Не применяйте силу при установке аккумуляторного блока. Если блок не движется свободно, значит он вставлен неправильно.

- Чтобы извлечь аккумуляторный блок, выдвиньте его из радио, перемещая кнопку на передней стороне блока или нажав на кнопки по бокам блока.

Установите стопор батарейного отсека в исходное положение.

Снижение мощности, искажения и “заикание” являются признаками необходимости замены аккумулятора.

Примечание:

Аккумуляторный блок нельзя заряжать с помощью прилагаемого адаптера переменного тока.

Установка или снятие аккумуляторного блока (рис. 7 и 8)

ПРЕДУПРЕЖДЕНИЕ:

Обязательно выключайте радио перед снятием аккумуляторного блока.

- Для установки аккумуляторного блока совместите выступ блока с пазом в корпусе и задвиньте его на место.
- Для снятия аккумуляторного блока нажмите кнопку сбоку блока и извлеките аккумулятор из гнезда.

Установите стопор батарейного отсека в исходное положение.








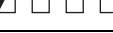


Снижение мощности, искажения и “заикание” являются признаками необходимости замены аккумулятора.

Примечание:

Аккумуляторный блок нельзя заряжать с помощью прилагаемого адаптера переменного тока.

Индикация оставшегося заряда аккумулятора (рис. 9)

Только для аккумуляторных блоков, в конце номера модели которых имеется буква “B”.
Нажмите на кнопку проверки, расположенную на аккумуляторном блоке, чтобы отобразить оставшийся заряд аккумулятора. Индикаторы загорятся на несколько секунд.

Индикаторы			Оставшийся заряд аккумулятора
			
			от 75% до 100%
			от 50% до 75%
			от 25% до 50%
			от 0% до 25%
			Зарядите аккумуляторную батарею.
			Возможно, аккумуляторная батарея неисправна.

Примечание:

- В зависимости от условий эксплуатации и температуры окружающего воздуха индикация может незначительно отличаться от фактического значения.

Установка штывевой антенны (рис. 10 и 11)

Установите штывевую антенну как показано на рисунке.

Примечание:

В батарейном отсеке предусмотрена защелка для хранения снятой антенны.

Использование прилагаемого адаптера переменного тока (рис. 12)

Снимите резиновый изолятор и вставьте разъем адаптера в гнездо DC на передней панели радио. Вставьте адаптер в розетку электросети. При использовании адаптера аккумуляторный блок автоматически отсоединяется. Если адаптер переменного тока не используется, его необходимо отсоединять от розетки.

ЭКСПЛУАТАЦИЯ

Существует три варианта настройки радио – сканирование, ручная настройка и вызов предустановок из памяти.

Выбор станции – DAB

1. Нажмите кнопку питания, чтобы включить радиоприемник.
2. Выберите нужный режим DAB, нажав кнопку Band.
3. Нажмите кнопку расширенных настроек и поверните регулятор громкости/настройки/выбора, чтобы на экране появилась мигающая индикация “Список станций”. Нажмите регулятор громкости/настройки/выбора, чтобы ввести список станций.
4. Вращайте регулятор громкости/настройки/выбора, чтобы прокрутить список доступных станций. Для выбора станции нажмите регулятор.
5. Настройте нужный уровень громкости с помощью регулятора громкости/настройки/выбора.

Режимы отображения – DAB

Для режима DAB предусмотрены различные параметры дисплея:

Нажмите кнопку Info для прокручивания различных опций, обозначенных буквами а – г.

- | | |
|-----------------------|--|
| a. Название станции | Отображение названия прослушиваемой станции. |
| b. Тип программы | Отображение типа прослушиваемой станции. Например, Pop (Поп-музыка), Classics (Классика), News (Новости) и т. п. |
| c. Мультиплексное имя | Отображение имени мультиплекса DAB, к которому относится текущая станция. |
| d. Время и дата | Отображает текущее время и дату. |
| e. Частота и канал | Отображает частоту и номер канала текущей станции DAB. |
| f. Битрейт/Тип звука | Отображает битрейт и тип цифрового звука текущей станции DAB. |
| g. Мощность сигнала | Отображает мощность сигнала текущей станции DAB. |

Поиск новых станций – DAB

Время от времени могут появляться новые радиостанции DAB. Либо вы можете оказаться в другой части страны. В этом случае необходимо включить режим сканирования для поиска новых станций.

Чтобы радиоприемник обнаружил доступные станции, рекомендуется провести полное сканирование всего диапазона III DAB.

1. Нажмите кнопку Auto tune.
2. Радиоприемник проведет полное сканирование частот DAB. При обнаружении новых станций

счетчик в левой части дисплея будет увеличиваться, а станции – добавляться в список.

Ручная настройка – DAB

Ручная настройка позволяет настроить радиоприемник на определенную частоту DAB в диапазоне III. Эту функцию можно использовать для помощи в ориентировании антенны или радиоприемника с целью оптимизации приема определенного канала или частоты.

1. Нажмите кнопку расширенных настроек и поверните регулятор громкости/настройки/выбора, чтобы на экране появилась индикация “Ручная настройка”. Нажмите регулятор громкости/настройки/выбора, чтобы включить режим ручной настройки.
2. Вращайте регулятор громкости/настройки/выбора, чтобы выбрать нужный канал DAB. Нажмите регулятор громкости/настройки/выбора, чтобы подтвердить выбранную частоту.

Настройка порядка станций – DAB

В радиоприемнике предусмотрены варианты 3 настройки порядка следования станций. Станции можно организовать по алфавиту, группам или действительным станциям.

1. Нажмите кнопку расширенных настроек.
2. Поверните регулятор громкости/настройки/выбора, чтобы на экране появилась индикация “Порядок станций”, затем нажмите регулятор громкости/настройки/выбора для ввода настройки.
3. Поверните регулятор громкости/настройки/выбора, чтобы выбрать следующие опции, затем нажмите регулятор для подтверждения настройки.

Буквенной-цифровой Сортировка списка станций по номерам/алфавиту: 0...9 A...Z

Группа Организация списка станций по мультиплексу DAB

Действительные Отображаются только те станции, сигнал которых найден

Регулировка динамического диапазона (DRC) – DAB

Если радиоприемник используется в шумной среде, функция DRC позволяет лучше слышать негромкие звуки за счет сокращения динамического диапазона аудиосигнала. Существует три уровня сжатия:

DRC 0	Сжатие отсутствует.
DRC 1/2	Используется средний уровень сжатия.
DRC 1	Используется максимальное сжатие.

1. Нажмите кнопку питания, чтобы включить радиоприемник.
2. Нажмите кнопку Band, чтобы выбрать диапазон DAB.
3. Нажмите кнопку расширенных настроек и поверните регулятор громкости/настройки/выбора, чтобы на экране появилась индикация “Значение DRC”. Затем нажмите регулятор громкости/настройки/выбора, чтобы ввести значение. На дисплее появится текущее значение DRC.

4. Вращайте регулятор громкости/настройки/выбора, чтобы выбрать нужную настройку DRC.

5. Нажмите регулятор громкости/настройки/выбора, чтобы подтвердить настройку.

Настройка методом сканирования – FM

1. Нажмите кнопку питания, чтобы включить радио.
2. Выберите нужный диапазон частот, нажав кнопку Band. Убедитесь, что штыревая антенна установлена в оптимальное положение для приема в диапазоне FM. Не рекомендуется использовать радио рядом с монитором компьютера и другим оборудованием, которое может вызвать помехи для радиоприемника.
3. Нажмите кнопку Auto tune, радиоприемник выполнит поиск, останавливаясь автоматически при обнаружении радиостанции. Радиоприемник продолжит поиск следующей доступной станции, если оператор не нажмет кнопку Auto tune для прекращения сканирования.
4. Вращайте регулятор громкости/настройки/выбора, чтобы выбрать нужный уровень громкости. На ЖК-экране отображается изменение уровня громкости.

Примечание:

Чтобы использовать регулятор громкости/настройки/выбора для поиска нужной станции, нажмите и удерживайте регулятор громкости/настройки/выбора для переключения в режим настройки.

5. Для выключения радио нажмите кнопку питания.

Зона сканирования FM

В режиме FM радиоприемник можно настроить на сканирование местных станций либо всех станций, включая удаленные.

Ручная настройка – FM

1. Нажмите кнопку питания, чтобы включить радио.
2. Нажмите кнопку Band (Полоса частот), чтобы выбрать необходимый диапазон. Отрегулируйте антенну как описано выше.
3. Вращайте регулятор громкости/настройки/выбора изменяет частоту со следующим шагом:
FM: 50 или 100 кГц

Примечание:

Чтобы использовать регулятор громкости/настройки/выбора для поиска нужной станции, нажмите и удерживайте регулятор громкости/настройки/выбора для переключения в режим настройки.

4. Вращайте регулятор громкости/настройки/выбора до тех пор, пока нужная частота не отобразится на дисплее.
5. Вращайте регулятор громкости/настройки/выбора, чтобы выбрать нужный уровень громкости.
6. Для выключения радио нажмите кнопку питания.

Режимы дисплея – FM

Для режима FM предусмотрены различные параметры дисплея:

Нажимайте кнопку Info для переключения между следующими опциями.

- | | |
|--------------------|--|
| a. Станция вещания | Отображение названия прослушиваемой станции. |
| b. Радиотекст | Отображение текстовых сообщений, например, новые элементы и т. д. |
| c. Тип программы | Отображение типа прослушиваемой станции (Популярная, Классическая, Новости и т. д.). |
| d. Время и дата | Отображает текущее время и дату. |
| e. Частота | Отображает частоту сигнала FM. |

Сохранение станций в памяти в качестве предварительной настройки (DAB и FM)

Для каждого диапазона доступно 5 предварительных настройки.

1. Нажмите кнопку питания, чтобы включить радио.
2. Настройтесь на нужную станцию одним из описанных выше способов.
3. Нажмите и удерживайте необходимую кнопку Preset, пока на дисплее не появится номер предварительной настройки, например, "Сохранено в P2". При этом станция сохраняется под выбранной кнопкой Preset.
4. Повторите процедуру для оставшихся предварительных настроек.
5. Станции, сохраненные в качестве предварительной настройки, можно изменить, выполнив описанные выше процедуры.

Вызов станций из памяти предварительной настройки (DAB и FM)

1. Нажмите кнопку питания, чтобы включить радио.
2. Нажмите кнопку Band (Полоса частот), чтобы выбрать нужный диапазон.
3. Нажмите и отпустите кнопку Preset. На экране отобразятся заданный номер и частота станции.

Язык (доступно только в модели DMR110)

Радиоприемник поддерживает восемь языков интерфейса: английский, немецкий, итальянский, французский, голландский, датский, норвежский и польский.

1. Нажмите кнопку расширенных настроек.
2. Вращайте регулятор громкости/настройки/выбора до тех пор, пока на дисплее не отобразится индикация "Язык". Нажмите регулятор громкости/настройки/выбора, чтобы ввести настройку.
3. Вращайте регулятор громкости/настройки/выбора, чтобы выбрать нужный язык. Нажмите регулятор громкости/настройки/выбора, чтобы подтвердить настройку.

Регулировка яркости

Подсветку дисплея можно регулировать.

1. Нажмите кнопку расширенных настроек.

2. Вращайте регулятор громкости/настройки/выбора до тех пор, пока на дисплее не отобразится индикация "Подсветка". Нажмите регулятор громкости/настройки/выбора, чтобы ввести настройку.
3. Вращайте регулятор громкости/настройки/выбора, чтобы включить или выключить функцию подсветки, затем нажмите регулятор громкости/настройки/выбора для подтверждения настройки.

Сброс системы

Если радио работает ненадлежащим образом или некоторые цифры на экране отсутствуют или неполные, выполните следующую процедуру.

1. Нажмите кнопку расширенных настроек.
2. Вращайте регулятор громкости/настройки/выбора до тех пор, пока на дисплее не отобразится индикация "Сброс к заводским настройкам". Нажмите регулятор громкости/настройки/выбора, чтобы ввести настройку.
3. Вращайте регулятор громкости/настройки/выбора, чтобы выбрать "Да". Нажмите регулятор громкости/настройки/выбора, чтобы подтвердить настройку; при этом будет выполнен полный сброс настроек.

Версия программного обеспечения

1. Нажмите кнопку расширенных настроек.
2. Вращайте регулятор громкости/настройки/выбора до тех пор, пока на дисплее не отобразится индикация "Версия ПО". Нажмите регулятор громкости/настройки/выбора, чтобы просмотреть версию программного обеспечения радиоприемника.

Порт micro USB для обновления программного обеспечения

В дальнейшем могут быть доступны обновления программного обеспечения для радиоприемника. По мере появления обновлений программного обеспечения данное ПО и информация о способе обновления прошивки радиоприемника будут публиковаться на [веб-сайте Makita](#).

Воспроизведение других аудиоисточников

ПРЕДУПРЕЖДЕНИЕ:

Прежде чем подключать внешние аудиоисточники, отсоедините это устройство от сети.

- Предусмотрено 2 входа AUX IN. AUX IN 1 находится на передней панели, AUX IN 2 – в батарейном отсеке.
- С помощью аудиокабеля подключите стерео или моно аудиоисточник (например, iPod, проигрыватель MP3 или CD) к входу AUX IN 1 или AUX IN 2.
- Нажимайте кнопку Band до тех пор, пока не отобразится "AU1" или "AU2", при этом включится функция AUX.

ОБСЛУЖИВАНИЕ

ПРЕДУПРЕЖДЕНИЕ:

- Запрещается использовать бензин, лигроин, растворитель, спирт и т. п. Это может привести к изменению цвета, деформации и появлению трещин.

ТЕХНИЧЕСКИЕ ХАРАКТЕРИСТИКИ

Требования к электропитанию

Адаптер переменного тока	12 В пост. тока / 1 А, центральный контакт положительный
Аккумулятор	Аккумуляторный блок: 7,2 - 10,8 В Выдвижной аккумулятор: 10,8 - 18 В
Диапазон частот	FM 87,50 - 108 МГц DAB/DAB+ 174,928 - 239,200 МГц
Блок каналов DAB/DAB+ Совместимый стандарт	DAB (диапазон III) 5A-13F DAB (DMR109) DAB/DAB+ (DMR110)

Параметры контура

Динамик	3 дюйма 8 Ом
Выходная мощность	7,2 В: 0,5 Вт x 2 10,8 В: 1,2 Вт x 2 14,4 В: 2,2 Вт x 2 18 В: 3,5 Вт x 2
Входной контакт, диам.	3,5 мм (AUX IN1/AUX IN2)
Антенная система	DAB/FM: штыревая антенна
Размеры (Д x Ш x В) в мм	280 x 163 x 302
Масса	4,0 кг (без аккумулятора)

Makita Europe N.V. Jan-Baptist Vinkstraat 2,
3070 Kortenberg, Belgium

Makita Corporation 3-11-8, Sumiyoshi-cho,
Anjo, Aichi 446-8502 Japan