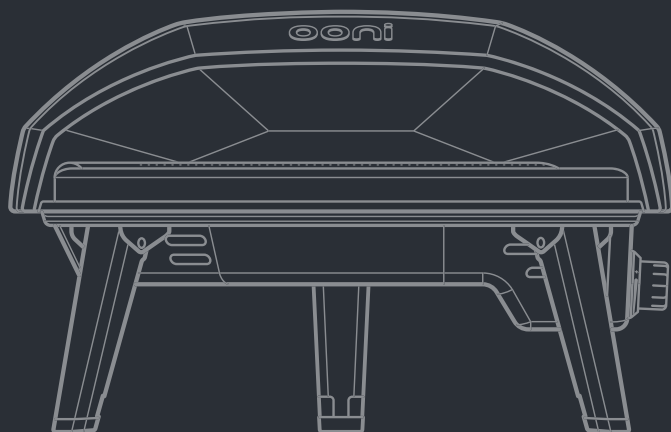




Ooni Koda 16 Feet Replacement

Manual



Hello awesome Ooni Koda 16 owner!

It took Finlay, Pip and Kevin at Ooni HQ **ages** to make this guide to help you get the best results from Ooni Koda 16. We've poured in all of our experience of pizza and Ooni ovens, our technical knowledge and a whole lotta love to make sure this guide is as simple to follow as possible.

Our only goal is to make sure you make awesome pizza with no fuss. So please, read it from cover to cover before you start and follow the instructions carefully as you work through your maintenance or service.

Happy ooni-ing!

Pip - *Designer & pepperoni lover*

Finlay - *Engineer & margherita fanatic*

Kevin - *Ooni Experience & happy as long as it's hot, fresh and made in an Ooni oven*

Contact **support.ooni.com** if you have any questions about assembly.

Register your oven at **ooni.com/warranty** for a free warranty extension.

Before you begin

- Switch off Ooni Koda 16 and disconnect from any gas source
- Ensure that Ooni Koda 16 is completely cool
- Work on a clear surface in a low-dust workspace
- Gather the tools required
- Remove the stone baking board from Ooni Koda 16

Tips

- Make sure you have at least **20 minutes** to complete the conversion.
- Check out our video guide on YouTube to help you.
- You will need to supply your own Phillips head screwdriver.
- Do **NOT** use electric drills as these can strip bolts
- Have a compartmentalised box to store bolts and screws during assembly. This will help with reassembly

In this kit

- 1x Foot pad
- 1x Foot
- 3x Screws

Step by step

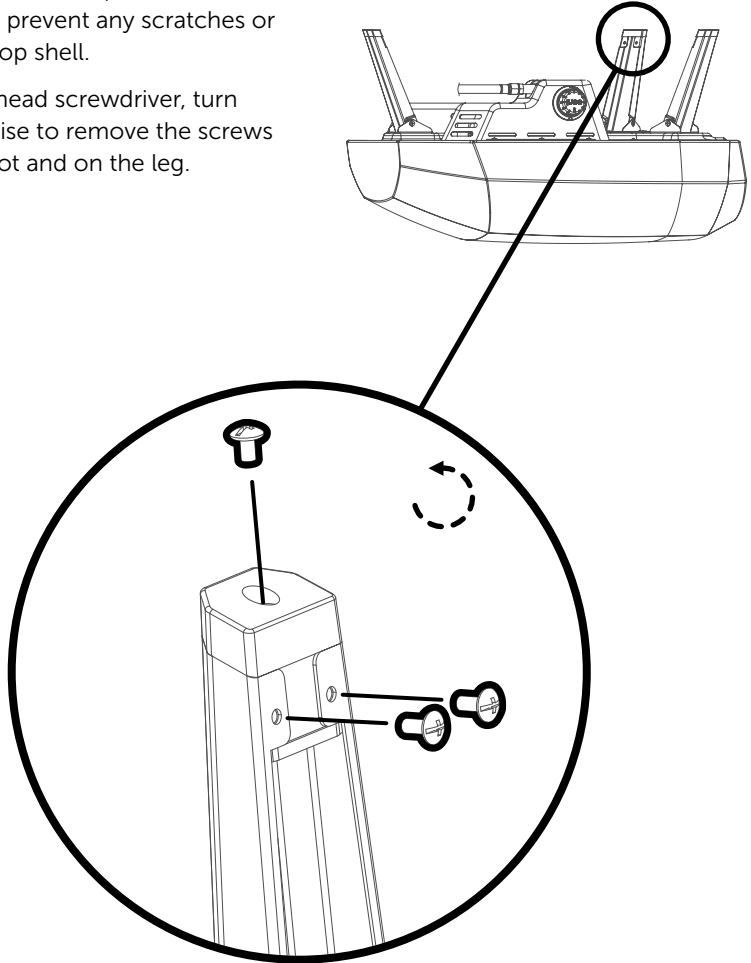
Remove screws

Remove the stone baking board from Ooni Koda 16.

Collapse Ooni Koda 16's legs and then gently lay Ooni Koda 16 upside-down on a soft surface to prevent any scratches or damage to the top shell.

Using a Phillips head screwdriver, turn counter-clockwise to remove the screws on top of the foot and on the leg.

You will need:
Phillips head screwdriver

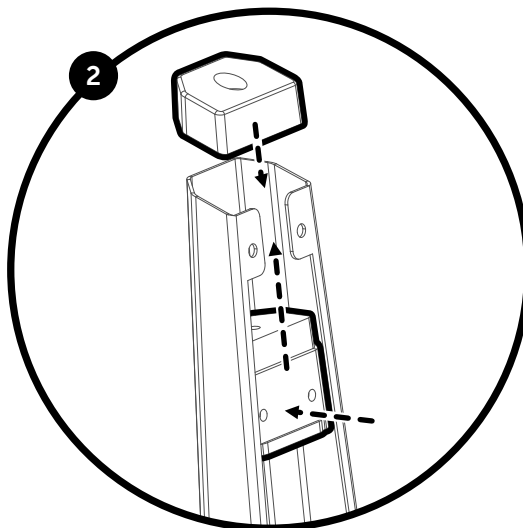
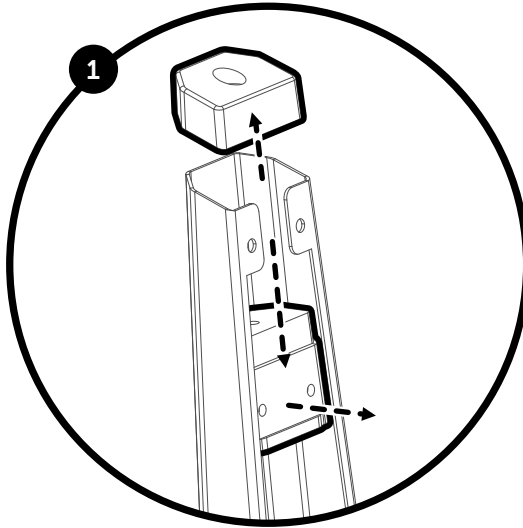


Remove and replace feet

Remove the top of the foot.

Slide the other part of the foot down the leg and out.

Replace with the new foot.



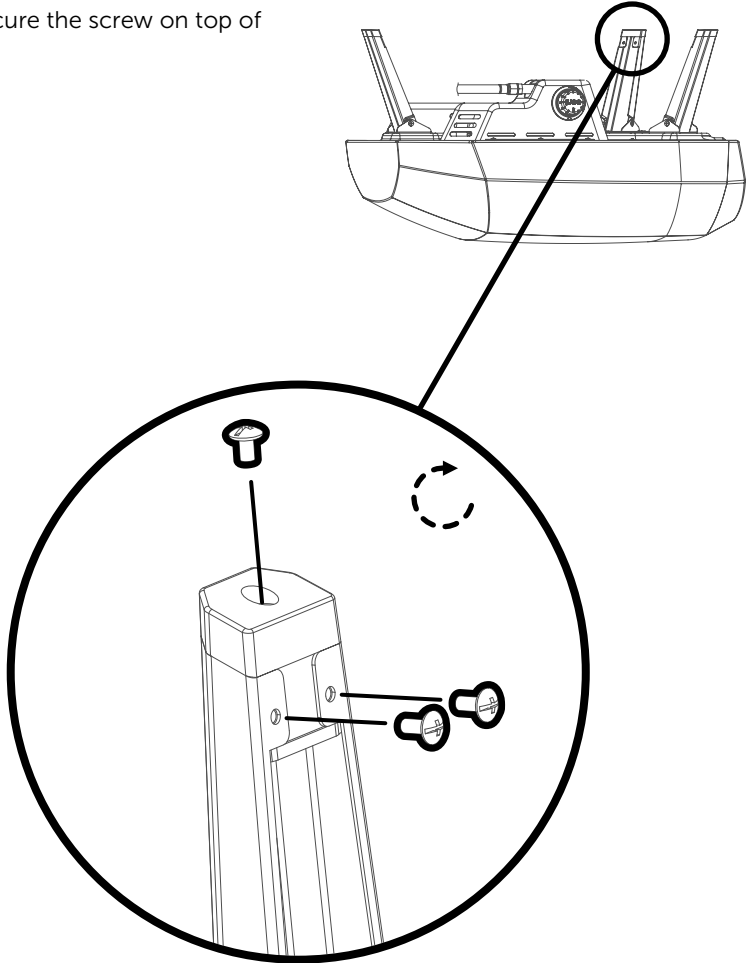
Step by step

Remove screws

Using a Phillips head screwdriver, turn clockwise to secure the screws on the legs.

Using a Phillips head screwdriver, turn clockwise to secure the screw on top of the foot.

You will need:
Phillips head screwdriver



ooni



ooni.com

© 2020 Ooni

Ooni is a registered trademark of
Ooni Limited. All rights reserved

v1.0