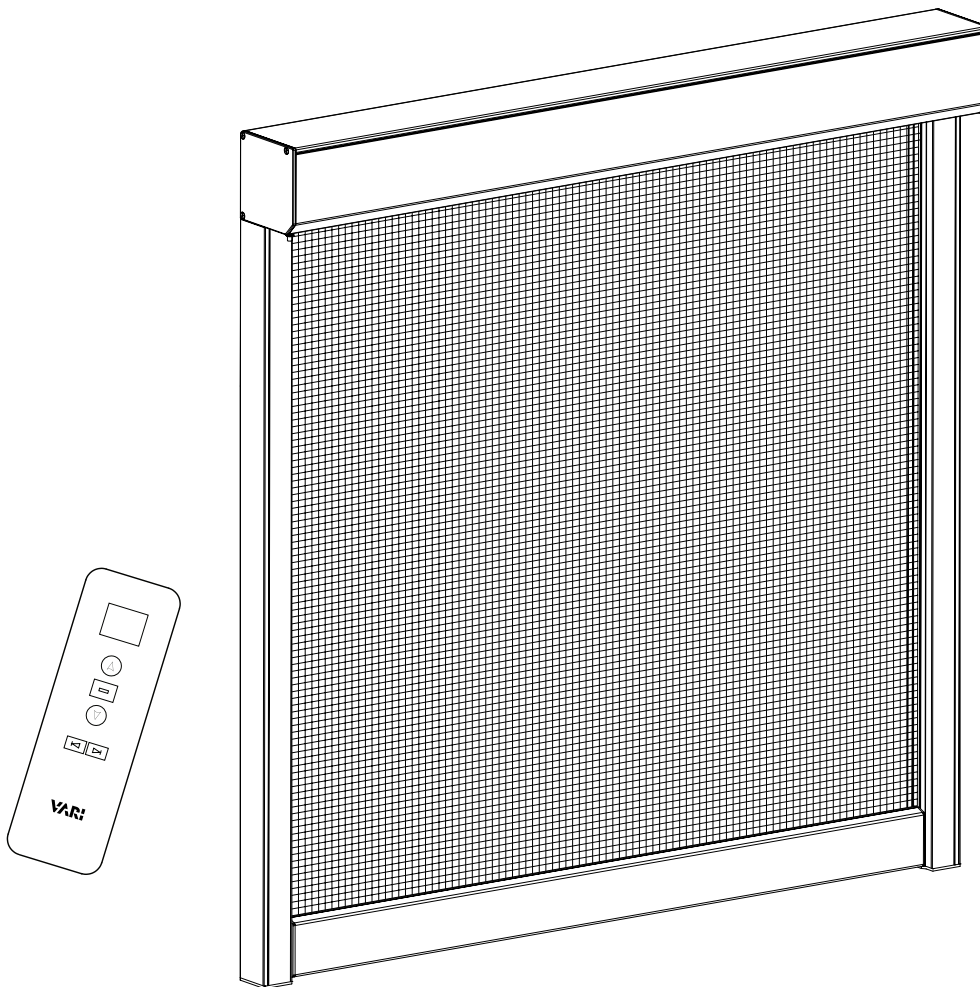


VARI

ZIP SCREEN

- ZIP MOTOR
- RAILS
- REMOTE CONTROL



ENGLISH
Installation Guide



CONTENT

Warning	3
Read before assembly	4
Technical information	5
Parts list	7
Assembly	8
Remote control	30
Maintenance	36
Consumer contact	38

WARNING

The product must be installed in accordance with the instructions in the user manual. Incorrect installation may cause damage to the window, frame, façade, or the product. Ensure that mounting points and screws are correctly sized and securely fastened into solid material.

- Do not allow children to play with the product. Keep children away from the remote control and the product at all times.
- This product is intended for use in private households only.
- Zip screens must not be used in strong winds or under frost or other circumstances that may damage the product. The maximum wind load for the specific model must not be exceeded.
- Ensure that the exterior zip screen is fully retracted in time before wind speeds exceed the recommended limits.
- Allow the fabric to dry completely before retracting it into the zip motor. If the fabric is retracted while damp and left in this condition for an extended period of time, stains and mold may develop on the fabric.
- Inspect the zip screen regularly for visible signs of damage. If any damage is detected, discontinue use immediately and contact your retailer or the consumer contact specified in this manual.
- Ensure that water is drained from all parts of the product and that no components are left standing in water. Standing water may cause frost damage. Damage resulting from frost is not covered by warranty or claims.
- All metals may corrode under certain conditions. Aluminum has very high corrosion resistance; however, regular cleaning and maintenance will help extend the product's service life.
- Salts, marine air, bird droppings, scratches in the coating, and other factors may damage the product over time. Ensure regular maintenance to prevent this.
- The zip screen fabric and painted surfaces may be affected by sunlight. This does not impact the functionality of the product, but may result in color changes resulting in a more matte appearance over time.
- **Warning:** Sharp edges may be present. Although every effort has been made to remove sharp edges during production, we recommend exercising caution and wearing gloves when handling the product.
- The painted surface of the zip screen may wear or become scratched during use. Any surface damage should be repaired to prevent corrosion at exposed areas.
- Inspect the product for any damage prior to installation. If you have any questions, contact support@nordicseason.no.
- Product surfaces may become very hot when exposed to direct sunlight. Exercise caution and avoid contact at high temperatures, as this may cause personal injury.
- The zip screen is intended for outdoor use.
- Ensure that ice does not form in the rails, as this may damage the fabric when the screen is raised or lowered.
- Exercise caution when using the product in order to avoid pinching or crushing injuries.

READ BEFORE ASSEMBLY

Before assembly, it is recommended that you verify that all parts and screws are included. Compare the contents of the box to the parts list.

Before installing the product, check that all components are free from damage. Any transport damage to parts or surfaces must be reported to the retailer or to Nordic Season Products prior to installation. Damage reported after installation will not be considered transport damage. Please note that some components may be embedded in the packaging for protection during transport. If any parts appear to be missing, inspect the packaging carefully.

Keep this manual for future reference.
The latest updated version of this manual is available on our website at
www.varioutdoor.no

FOLLOW THE INSTRUCTIONS CAREFULLY IN ORDER TO AVOID SERIOUS PERSONAL INJURY OR DAMAGE TO THE PRODUCT.

- **NOTE! Some municipalities require a building permit before installing awnings/zip screens. Check the local regulations in your area.**
- **Some housing cooperatives and condominium associations may have their own regulations regarding awnings and zip screens.**
- A complete zip screen consists of a zip motor, two rails, and a remote control. These are sold separately.
- The necessary tools for installation are: a spirit level, drill, measuring tape and screwdriver. Tools are not included, but drill bits for the rails are provided.
- If any part of this guide is unclear, or if you are uncertain about the meaning or interpretation of its contents, please contact your retailer or Nordic Season Products before installing or using the zip screen.
- Make sure all parts and screws are included by comparing the parts list to the contents of the box. Also check that everything is free from damage before assembling the product. If any parts are damaged during transport, do not proceed with assembly before contacting the dealer or support@nordicseason.no.
- Transport damage to parts, paintwork, or packaging must be reported to the dealer or Nordic Season Products AS before assembly and use of the zip screen. If damage is reported after assembly, it is possible that the damage occurred during installation, and it cannot be considered transport damage.
- If parts are missing, first carefully check the packaging. Remove all packing materials and any plastic film from the parts before installation.
- **Follow the sequence in this manual to avoid incorrect assembly.**
- Some parts of the installation will require heavy lifting and must be performed by two people together to avoid personal injury and damage to the zip screen.
- Some metal parts may be sharp—use protective gloves.
- Exercise caution when using high-power electrical tools, as they may damage the surface treatment of screws and harm painted components.
- If the product's paint is damaged during assembly, we recommend treating the damage immediately to prevent future rust damage.

TECHNICAL INFORMATION

ZIP MOTOR		SCREEN			
Voltage	220-240 V	Transparency	Materials	Colour	Length
Power	170 W	0%	22% Polyester 78% PVC	Black	220 cm
Cord	3 m / White/black				
Wind speed	24,4 m/sec	10%	42% Fibreglass 58% PVC	Black	220 cm
IP-Rating	IP65				

ZIP MOTORS ARE AVAILABLE IN THE FOLLOWING WIDTHS, IN WHITE OR BLACK:

WHITE ZIP MOTOR		
Article number	Width	Screen colour / Transparency
ZS10000W	100 cm	Black 0%
ZS10010W	100 cm	Black 10%
ZS11000W	110 cm	Black 0%
ZS11010W	110 cm	Black 10%
ZS12000W	120 cm	Black 0%
ZS12010W	120 cm	Black 10%
ZS13000W	130 cm	Black 0%
ZS13010W	130 cm	Black 10%
ZS24010W	240 cm	Black 10%

BLACK ZIP MOTOR		
Article number	Width	Screen colour / Transparency
ZS10000B	100 cm	Black 0%
ZS10010B	100 cm	Black 10%
ZS11000B	110 cm	Black 0%
ZS11010B	110 cm	Black 10%
ZS12000B	120 cm	Black 0%
ZS12010B	120 cm	Black 10%
ZS13000B	130 cm	Black 0%
ZS13010B	130 cm	Black 10%
ZS24010B	240 cm	Black 10%

RAILS ARE AVAILABLE IN THE FOLLOWING LENGTHS, IN WHITE OR BLACK (trimmable to desired length):

RAILS		
Item number	Length	Colour
ZS130RW	130 cm	White
ZS130RB	130 cm	Black
ZS220RW	220 cm	White
ZS220RB	220 cm	Black

REMOTE CONTROL
<ul style="list-style-type: none"> • Can be connected to up to 16 units. • Controls each unit individually, or all units simultaneously. • Uses 1 x CR2430 battery (included).

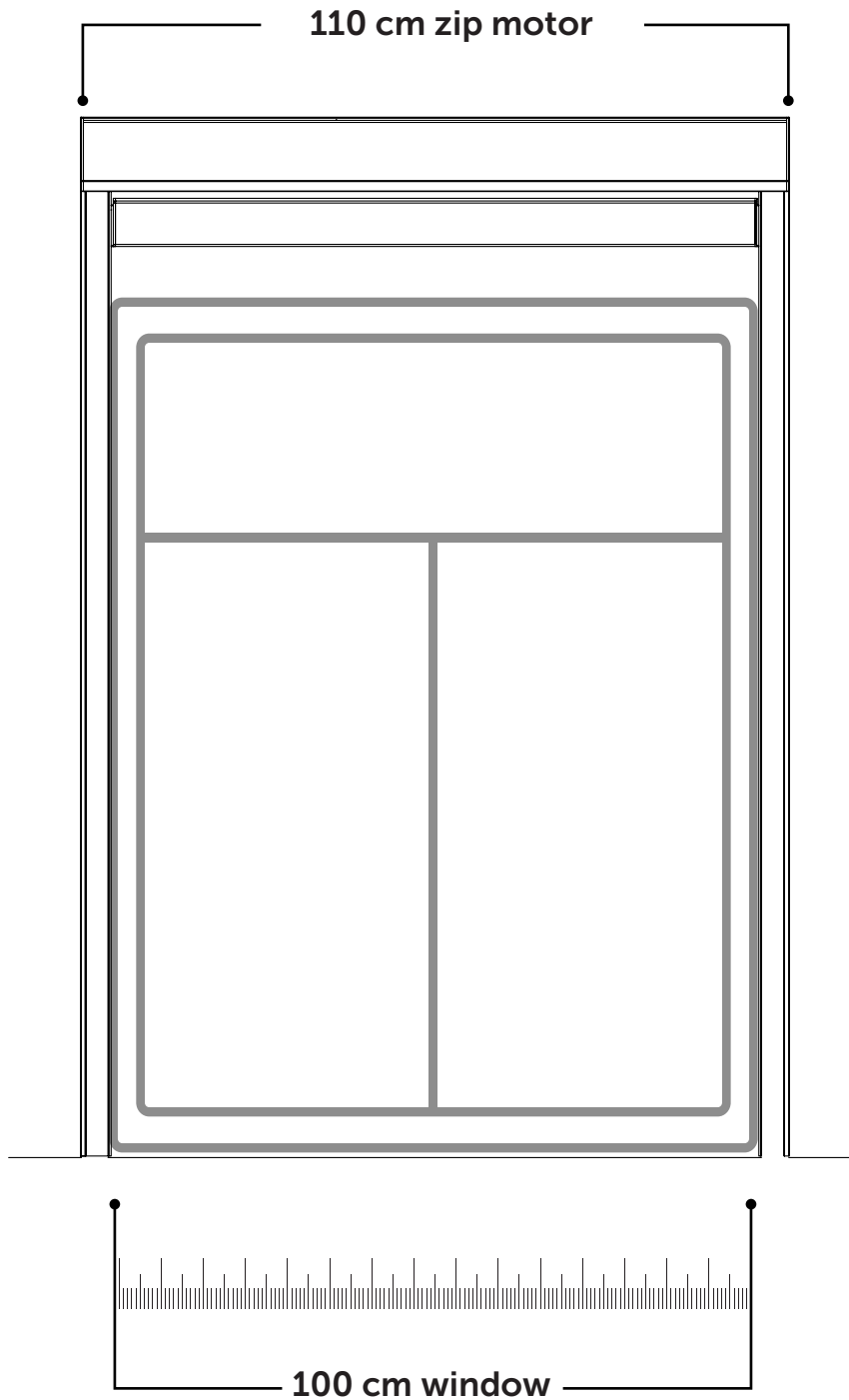
WARNING!

- Keep children away from the remote control and the product. Do not let children play with the product.
- Keep hands and body parts away from moving components during extension or retraction in order to avoid pinching or crushing injuries.
- Unauthorized disassembly of electric drive units is prohibited.
- Disconnect power before maintenance.
- Retract the screen immediately when wind speed exceeds the specified limit (usually 24m/sec). Risk of structural damage or collapse.
- Install in accordance with standard procedures. Do not damage the building structure for installation, which may cause falling risks.
- Electrical waste must be taken to an authorized collection or recycling facility.



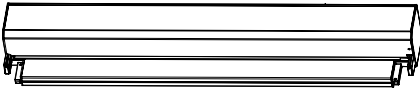
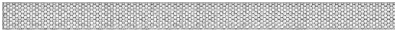
ENSURE THE ZIP MOTOR HAS THE CORRECT WIDTH

The zip motor should be 10 cm wider than the window or door on which it is to be mounted. For example, if the window width is 100 cm, you should choose a motor with a width of 110 cm. Ensure that the rails are mounted outside the window frame.


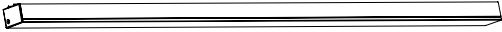




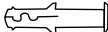




PARTS LIST

BOX 1

ZIP MOTOR WITH SCREEN			
Nr.	Description	Illustration	Qty.
A	Zip motor with screen		1
K	Spacer template/ cardboard		1

BOX 2

RAILS			
Nr.	Description	Illustration	Qty.
B1	Left side rail		1
B2	Right side rail		1
C	Rail housing		2
D	Rail cover		2
E	Guide rail		2
H	Wall screw (wood, concrete)		8
I	Expanded colloid		8
J	Washer		8
L	Drill bit		1

BOX 3

REMOTE CONTROL			
Nr.	Description		Qty.
A	Remote		1
K	Bracket for wall		1

ASSEMBLY

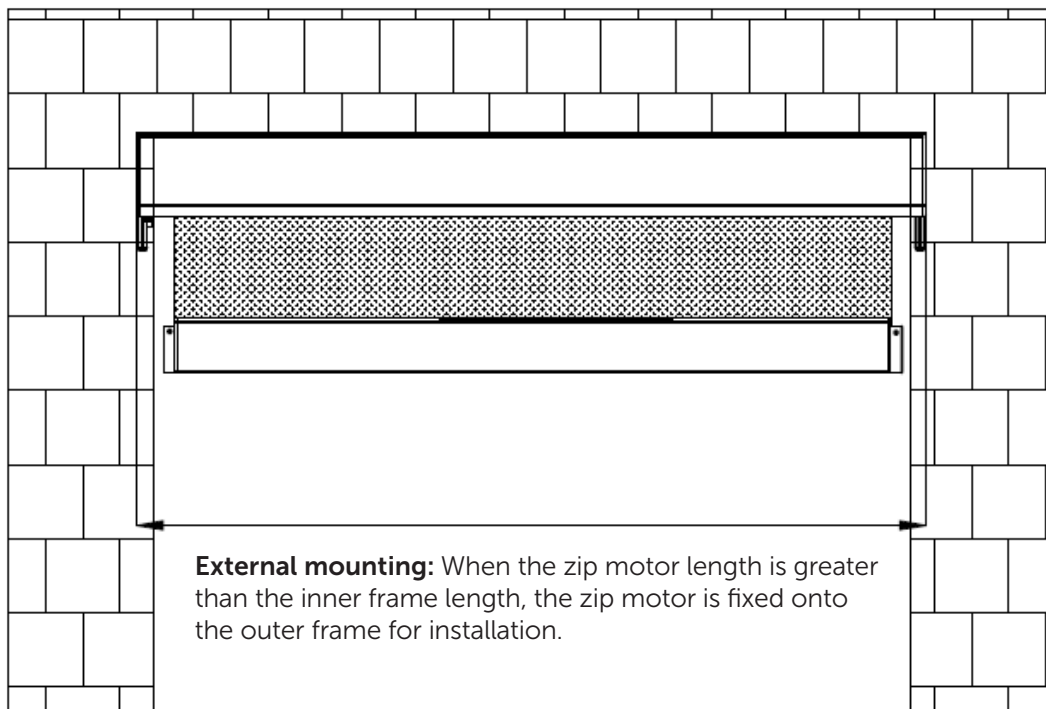
NOTE! The zip screen is intended for outdoor installation only.

CHOOSE EITHER EXTERNAL OR INTERNAL INSTALLATION

- **External mounting:** The zip screen is mounted on the façade, outside and around the window.
- **Internal mounting:** The zip screen is mounted inside the window recess, but still on the exterior of the building.
- **IMPORTANT! The screen must not be mounted indoors on an interior wall.**

External installation

page 10



TIPS

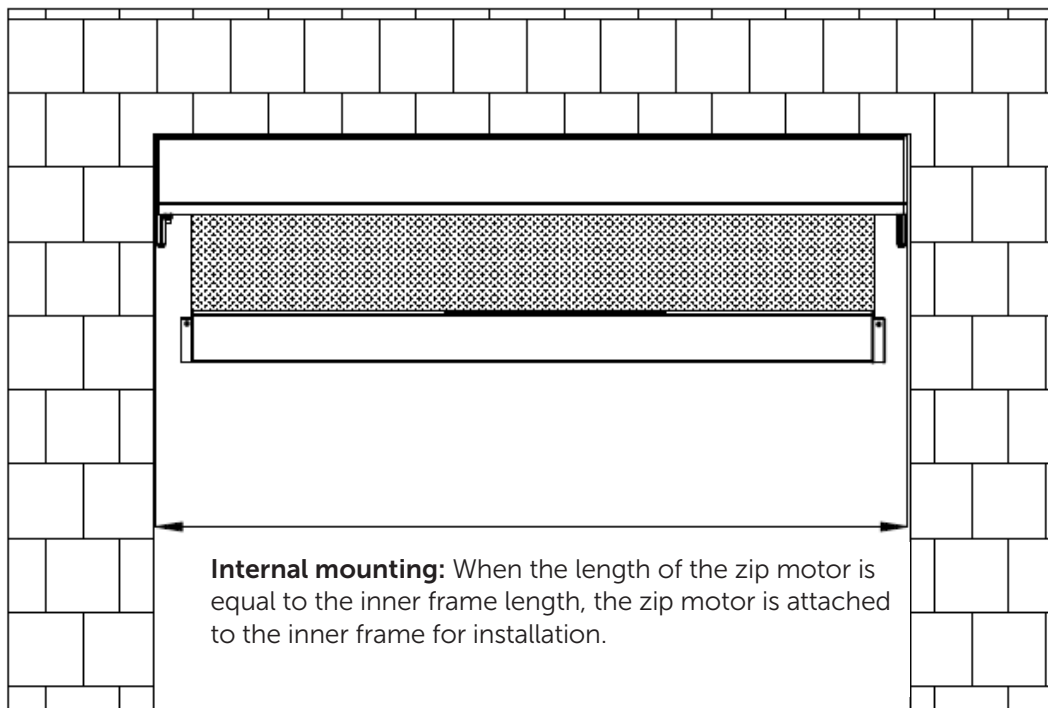
External installation

- Measure carefully in advance and mark where you want to place the zip screen.
- Ensure that the zip screen does not hit any obstacles, such as door or window handles.
- If there is a windowsill, you may need to add spacers around the window.
- Ensure that the rails are mounted on the outside of the window frame and do not damage the frame.
- Make sure the window can open and close freely before installation.
- The zip motor and rails must be installed level and plumb. If there is a height difference of more than 3 mm between the rails, they must be adjusted so that they are at the same height.

ASSEMBLY

Internal installation

page 20



TIPS

Recessed / internal installation

- Measure carefully in advance and mark where you want to place the zip screen.
- Ensure that the zip screen does not hit any obstacles, such as door or window handles.
- Make sure the window can open and close freely before installation.
- The zip motor and rails must be installed level and plumb. If there is a height difference of more than 3 mm between the rails, they must be adjusted so that they are at the same height.

EXTERNAL INSTALLATION

Before Installation: Check whether the screen will interfere with any cut-outs or the window sill. Make adjustments around the window or door if a conflict occurs. Note the serial number located on the packaging and on the back of the zip motor for future reference. The serial number is required when contacting the manufacturer's customer support.

Measure and cut the rails to the desired length, if necessary. When cutting the rails, ensure that:

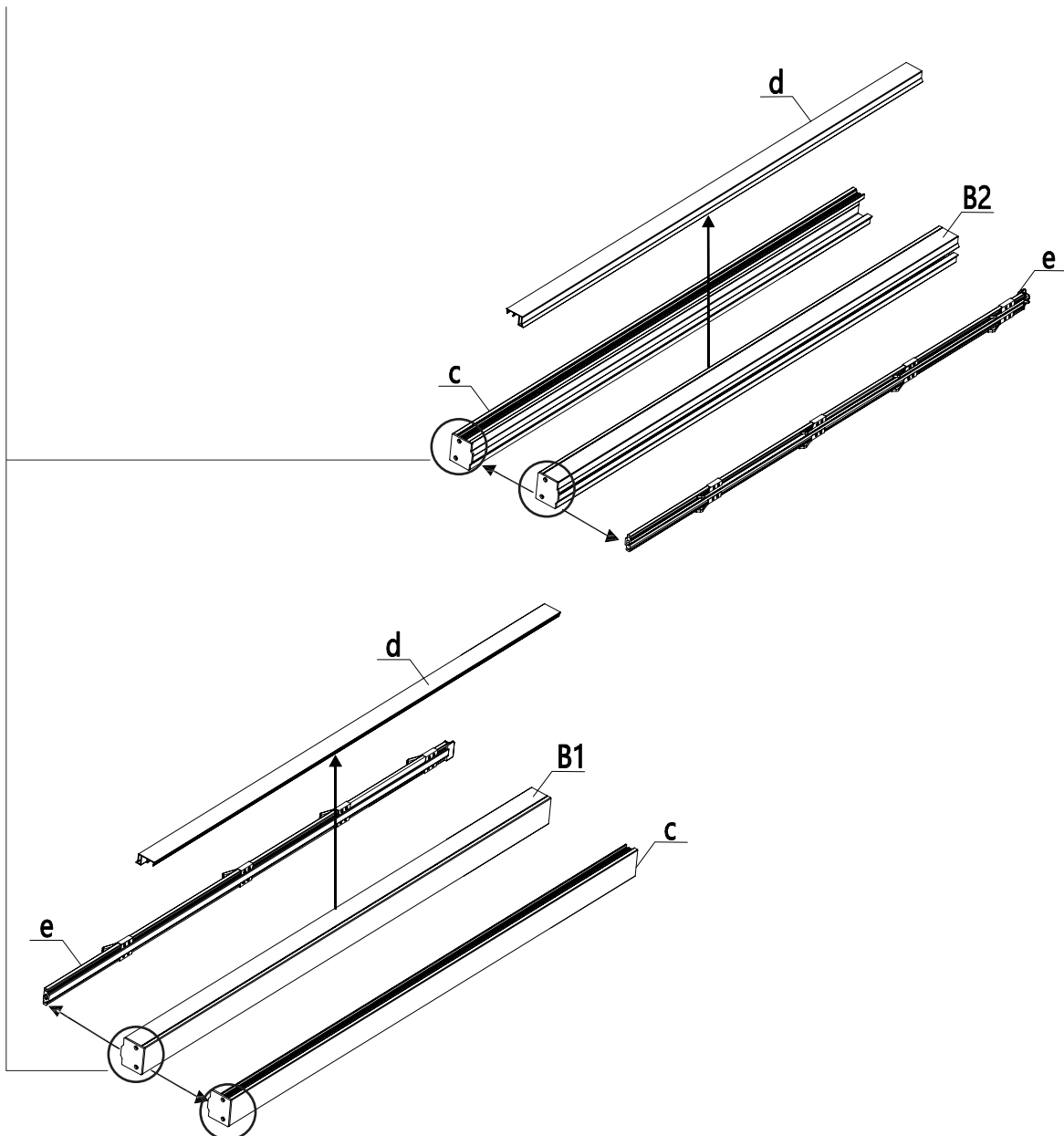
- The rail housing and cover are cut at the top.
- The guide rail is cut at the bottom (opposite the metal tip).

The zip screen is installed in the following order:

1. Rails
2. Zip motor
3. Remote control connection

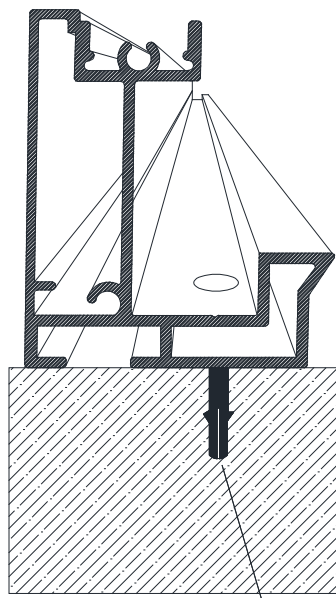
1

Disassemble the left and right rails (B1/B2) by sliding the rail cover (D) and guide rail (E) out of the rail housing (C). **Note: The end caps on the rails do not need to be removed.**



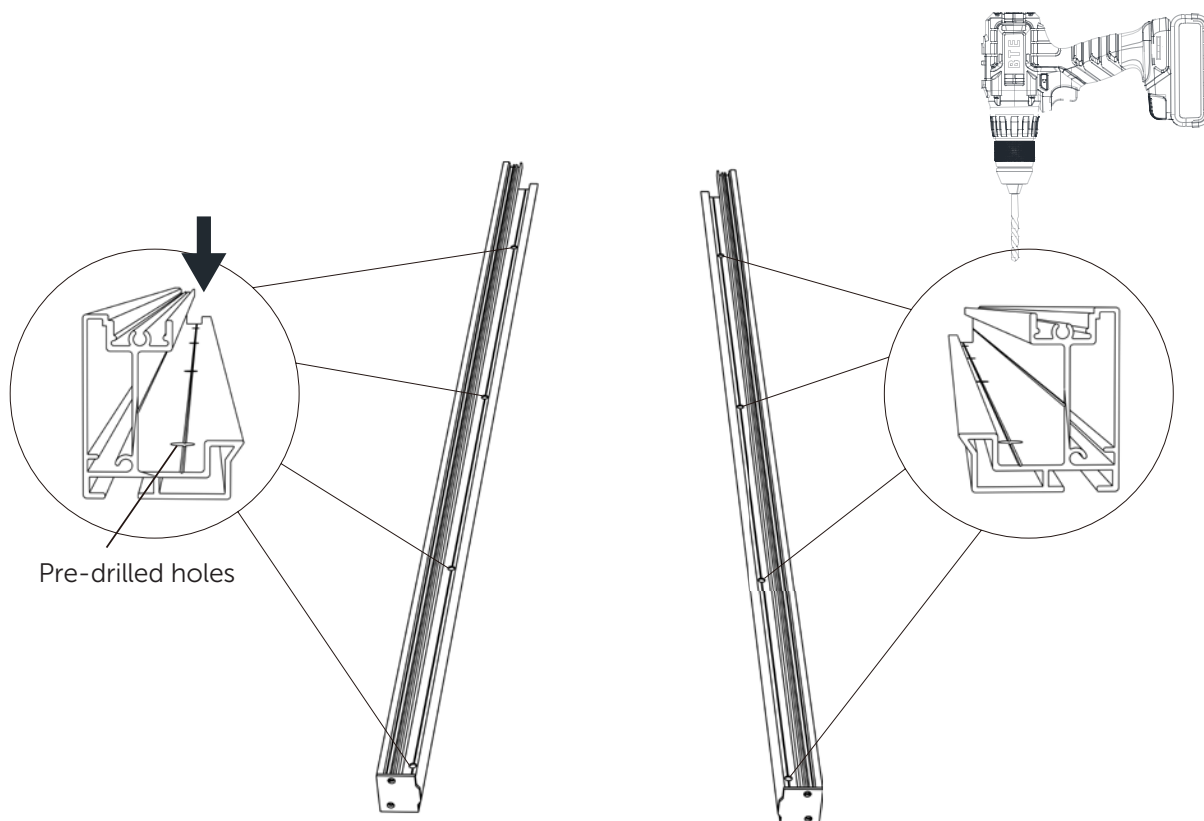
EXTERNAL INSTALLATION

2 For external installation, the holes must be drilled through from the pre-drilled holes. Use the included drill bit. Double-check that you are drilling the holes for external installation, see the illustration.



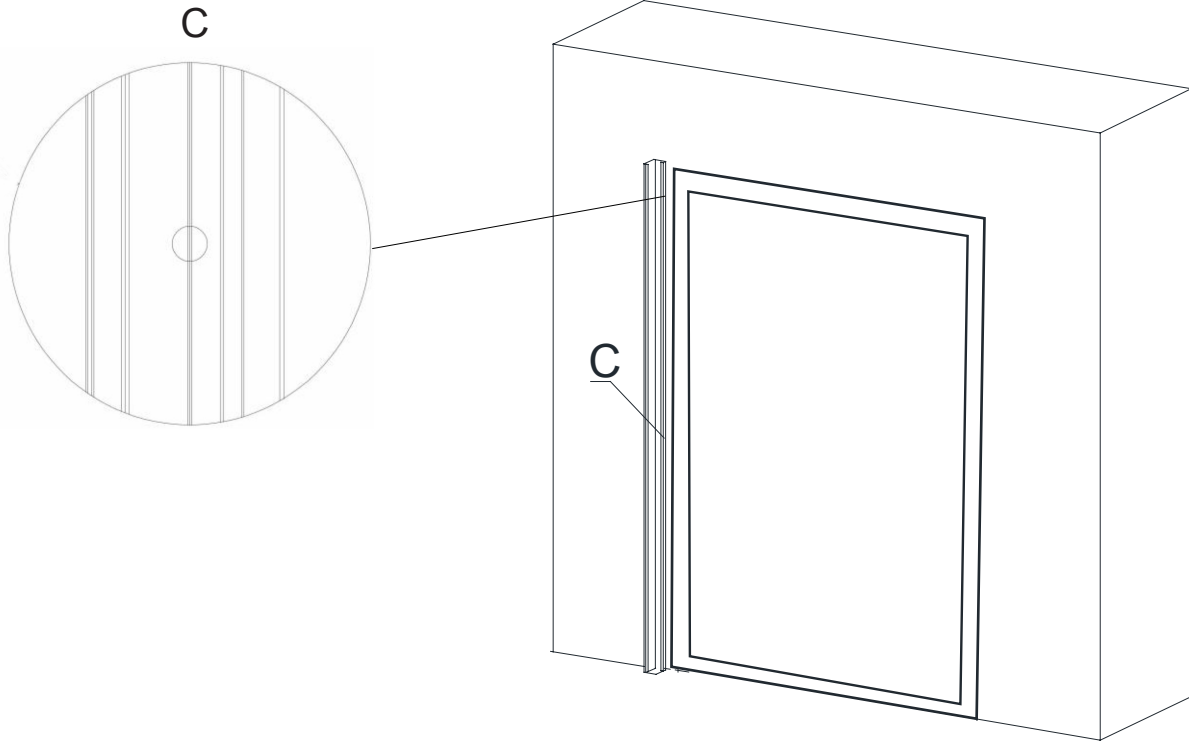
External installation

!
IMPORTANT!
 Clean the rail housing of metal debris after drilling to prevent damage to the guide rail or the zip fabric.

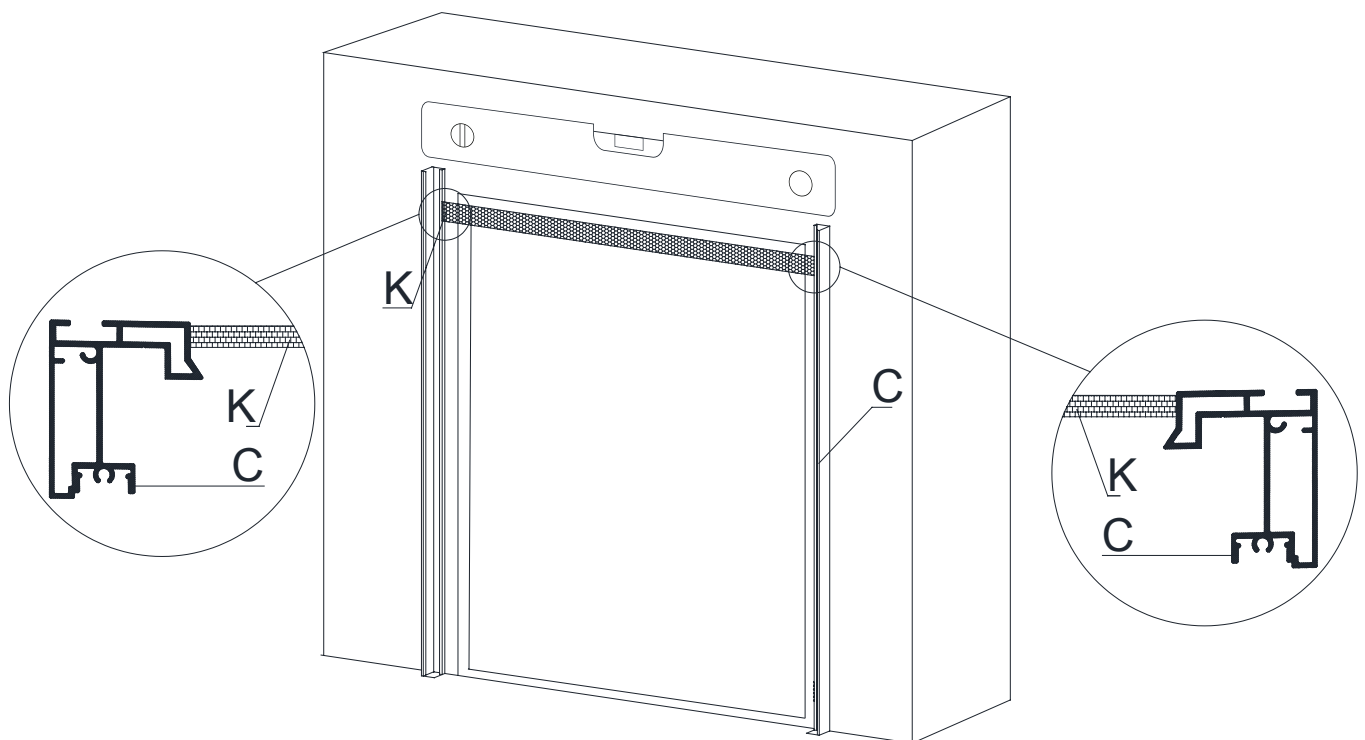


EXTERNAL INSTALLATION

- 3** Determine the placement of the rails around the window/door. Depending on the type of material, use suitable fastening hardware. Secure the lower rail using the upper screw hole.



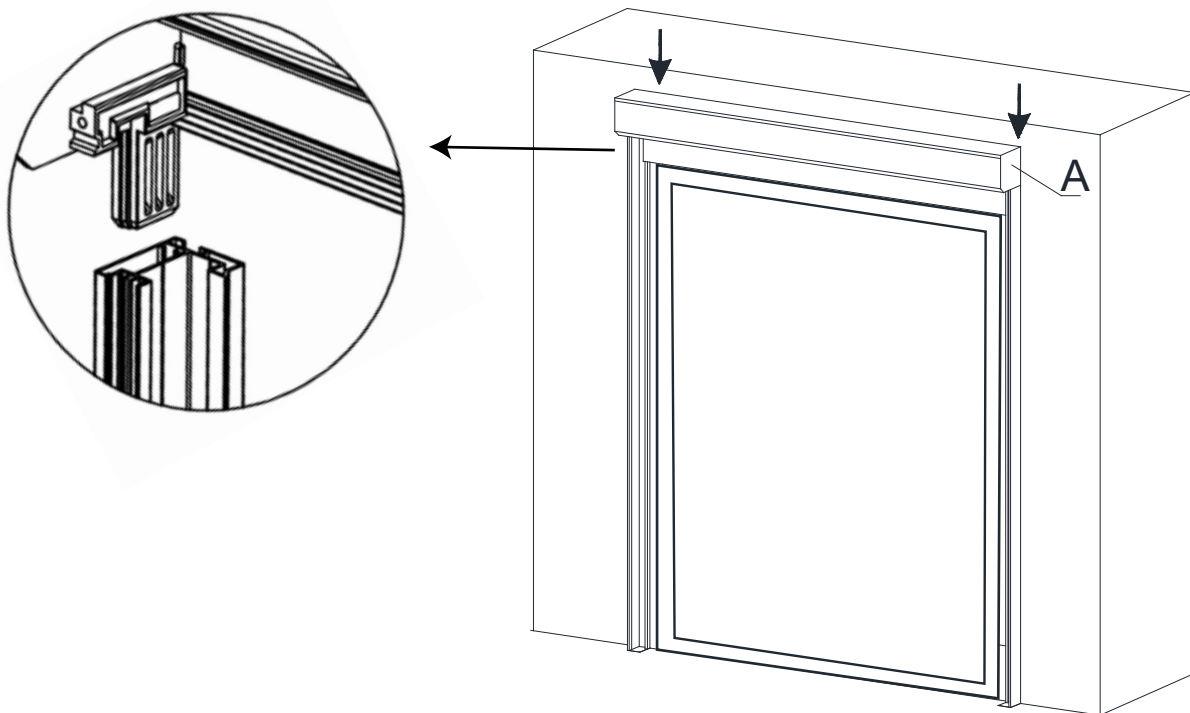
- 4** Level from the top of the installed rail housing (C) to the top of the opposite rail housing (C). Use the spacer template (K) to establish the correct spacing at the top between the rail housings. Depending on the wall material, pre-drill the holes. Secure the rail housing (C) using the upper screw hole.



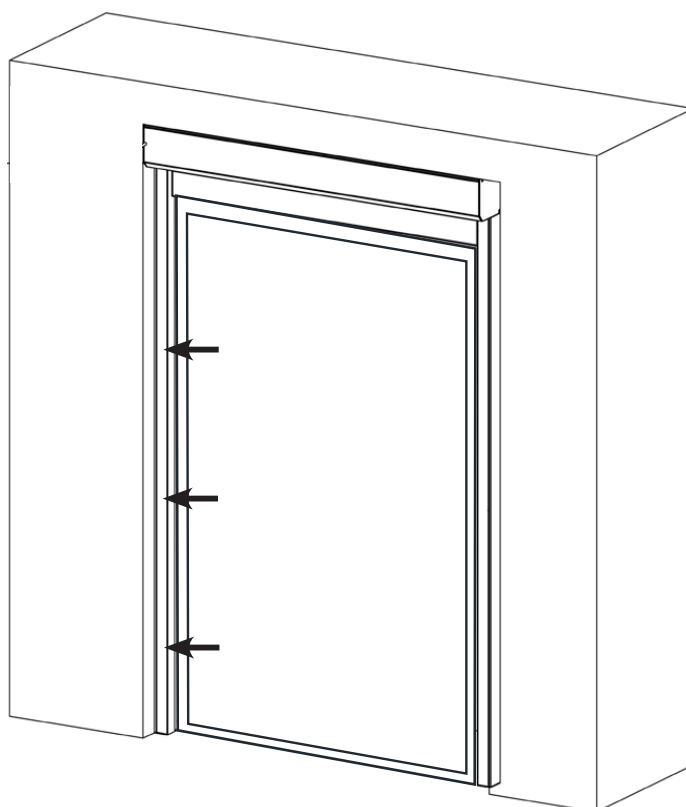
EXTERNAL INSTALLATION

- 5** Place the zip motor (A) on top of the rail housings. Guide the locating pins of the zip motor down into the rail housings on both sides simultaneously. The locating pins should slide smoothly into the rail housings. If you feel resistance, adjust the position of the rail housings before continuing. Do not use force, as this may damage the product.

NOTE: This step requires two persons.



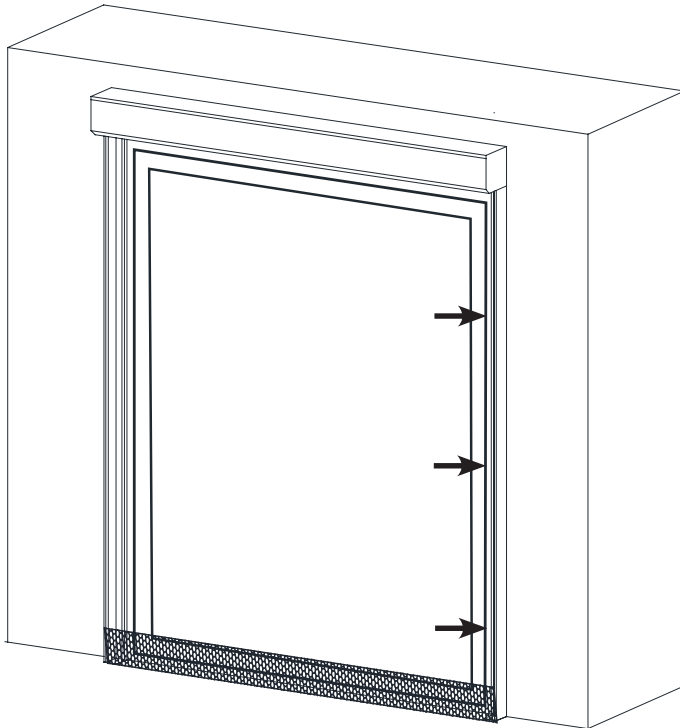
- 6** Align the rail housing vertically on one side and fasten it at all mounting points.



EXTERNAL INSTALLATION

7 Plumb the other rail housing. Use the supplied spacer template (K) to set the correct distance. Check the diagonals between the top and bottom on both sides before fastening the rail housing.

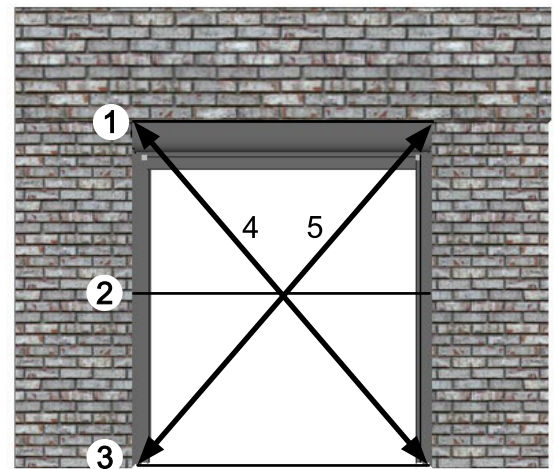
Warning: If the rail housings are not plumb and evenly spaced, the fabric may become stuck or operate unevenly.



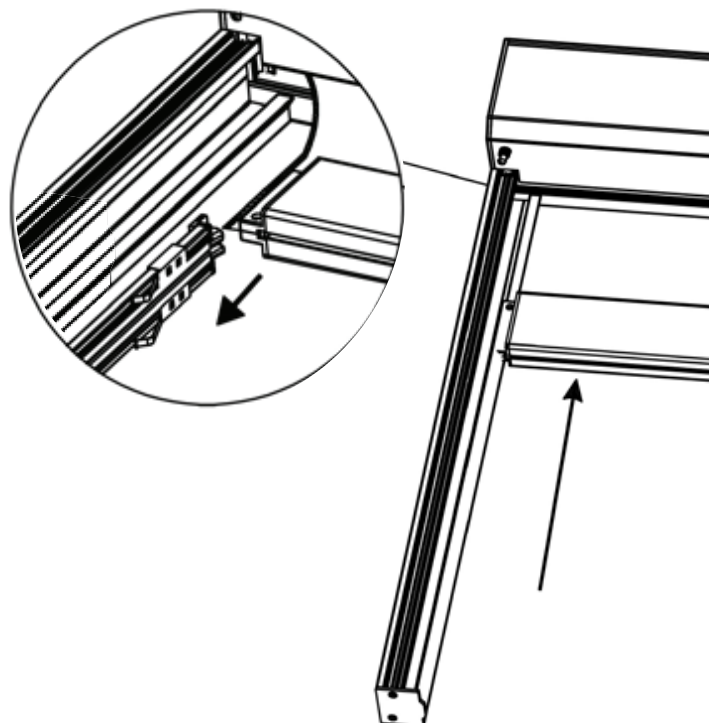
Check that the dimensions of 1, 2, and 3 are consistent. Check that the dimensions of 4 and 5 are consistent.



The difference must not exceed 3 mm.



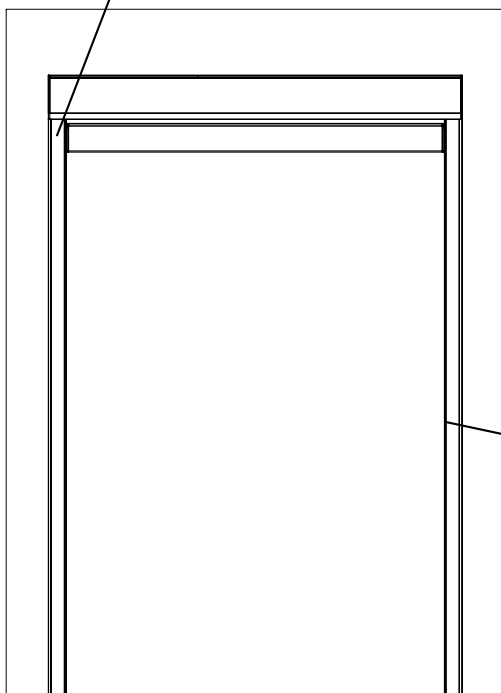
8 Insert the guide rail (E) by angling it in at the top. Ensure that the guide rail is positioned with the metal end at the top, toward the screen fabric. Slide the screen into the groove and place the guide rail into the rail housing. Repeat this process on both sides.



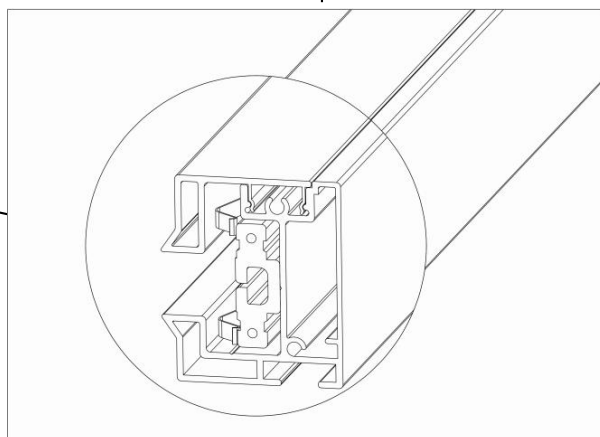
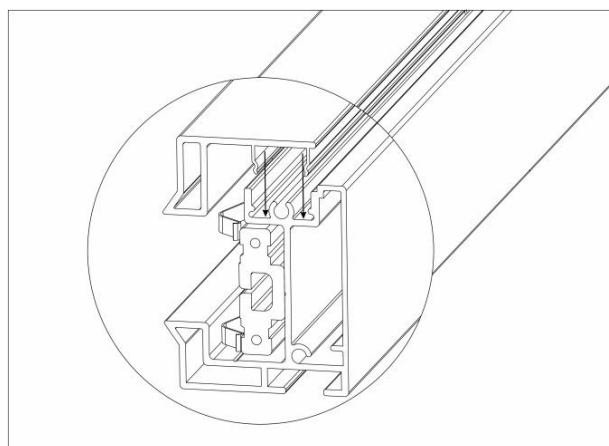
EXTERNAL INSTALLATION

- 9** Position the top end of the rail cover (D) first and snap it onto the rail housing.

! Start by adjusting the top end, then place the cover in its designated position.



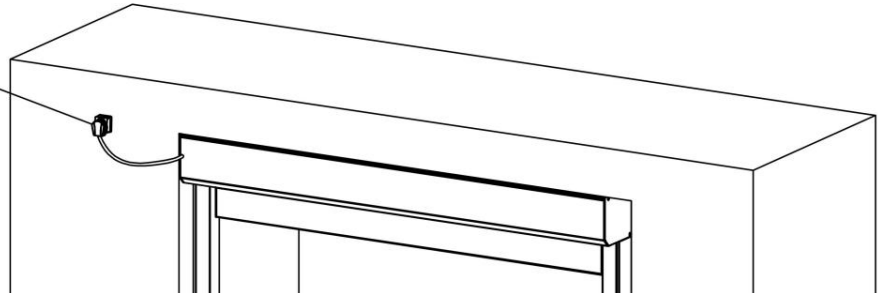
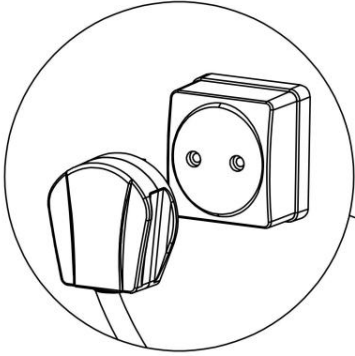
Ensure the rail cover is mounted as illustrated in the figure below.



Push the rail cover (D) into place so that it fits into the groove.

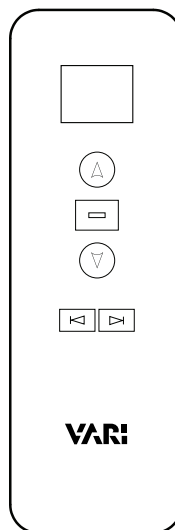
EXTERNAL INSTALLATION

10 Insert the power cord into the socket.



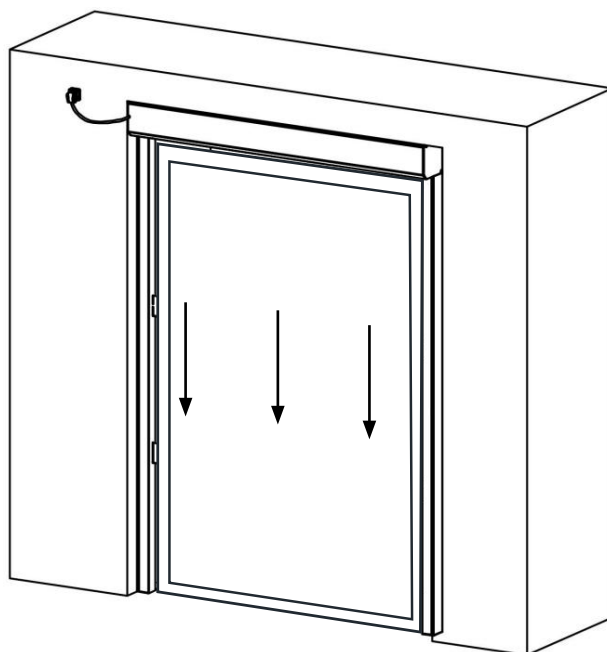
If needed, the cord can be shortened for direct connection to a junction box. **This work must only be performed by a qualified electrician.**

11 To connect and pair the remote control, see page 30.
Use only an approved VARI remote control (sold separately).

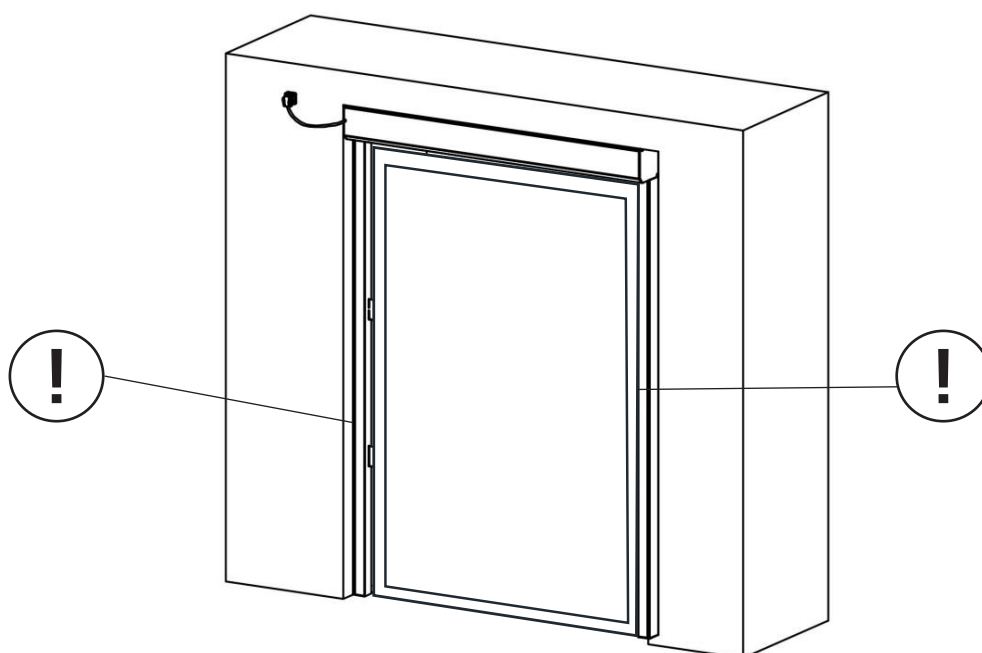


EXTERNAL INSTALLATION

- 12** Once the remote control is connected, operate the zip screen to check that the screen fabric moves evenly and without any resistance.



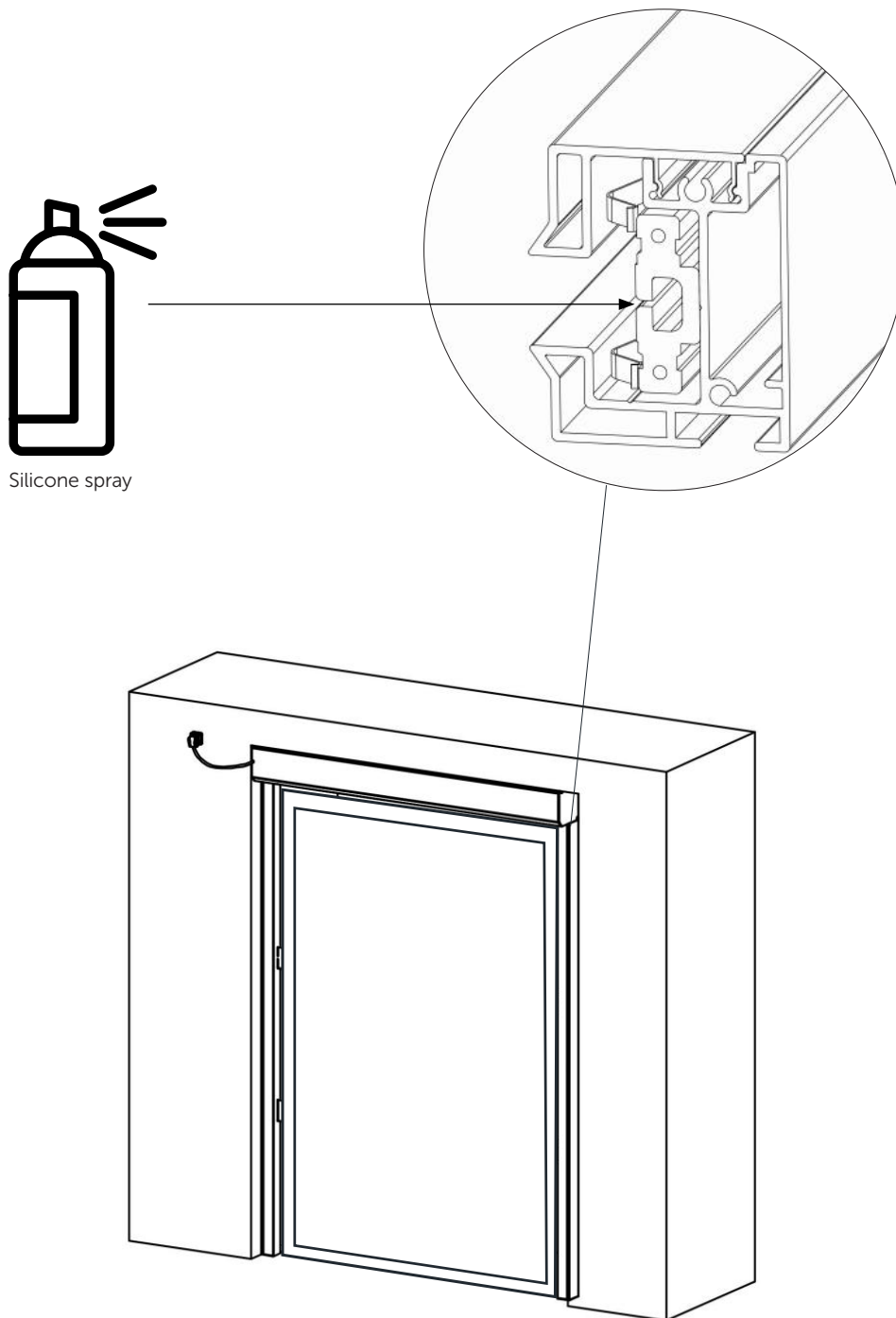
- 13** If the fabric gets stuck on the sides, or moves unevenly, adjust the rails and installation accordingly.



EXTERNAL INSTALLATION

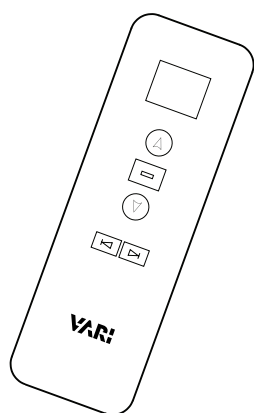
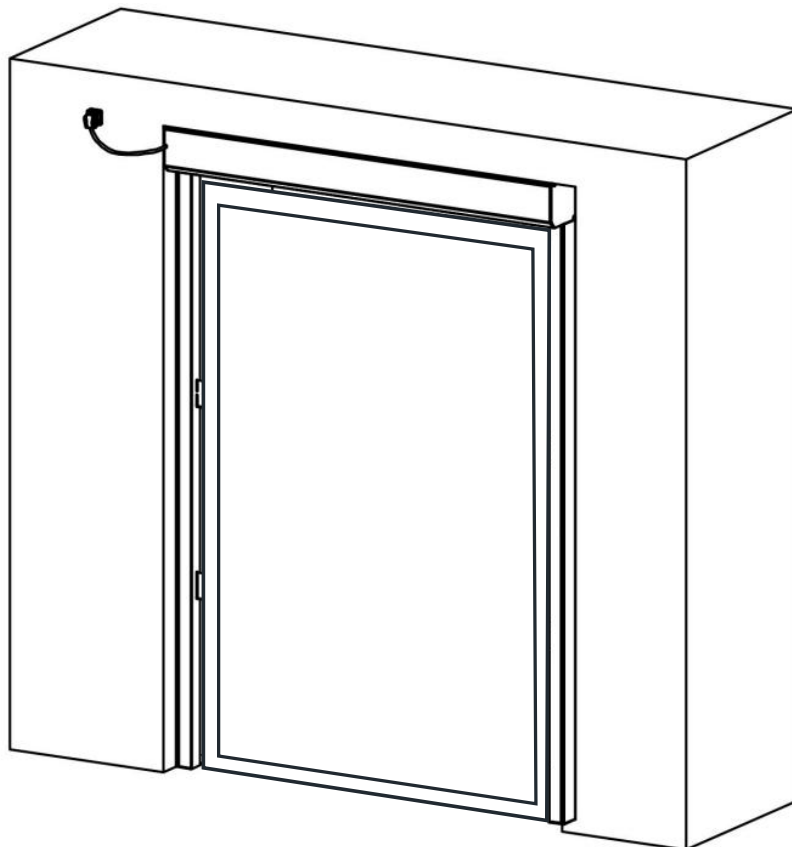
14

Before operating the zip screen, apply silicone spray or other suitable lubricant to the fabric glide track in each guide rail. Depending on weather conditions, repeat this 2–4 times per year.



EXTERNAL INSTALLATION

Your zip screen is now installed and ready to operate.



INTERNAL INSTALLATION

Before starting installation: Make sure the recess is level and vertical. If it is not, correct it before proceeding.

Measure and cut the rails to the desired length, if necessary. When cutting the rails, ensure that:

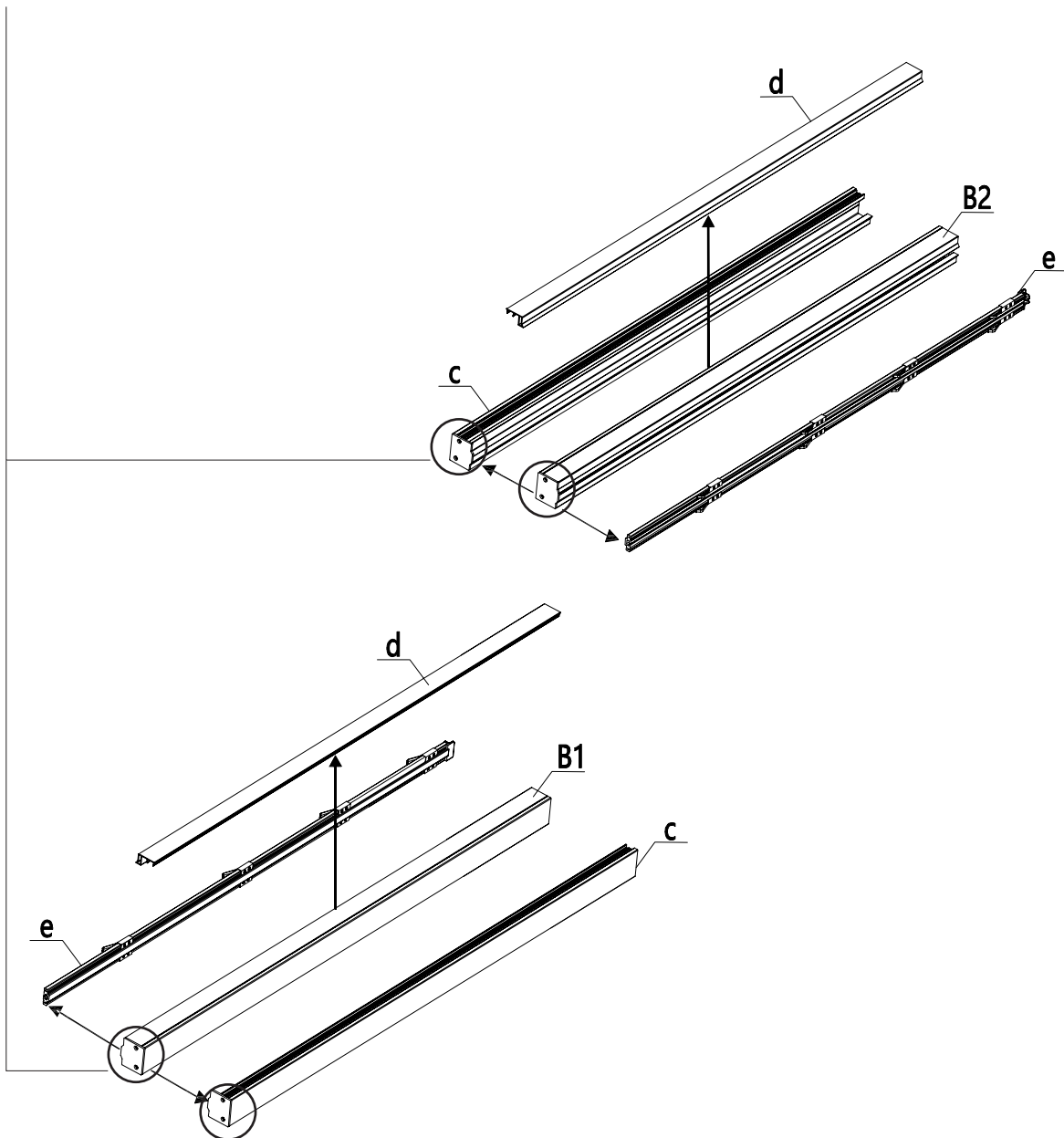
- The rail housing and cover are cut at the top.
- The guide rail is cut at the bottom (opposite the metal tip).
- For internal installation, the overall measurement must include the zip motor.

The zip screen is installed in the following order:

1. Rails
2. Zip motor
3. Remote control connection

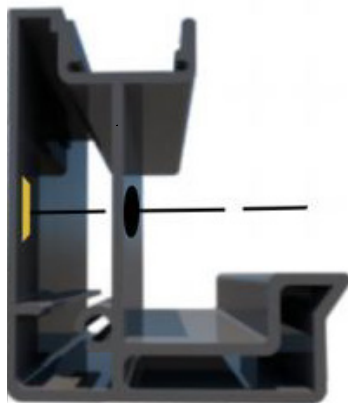
1

Disassemble the left and right rails (B1/B2) by sliding the rail cover (D) and guide rail (E) out of the rail housing (C). **Note: The end caps on the rails do not need to be removed.**



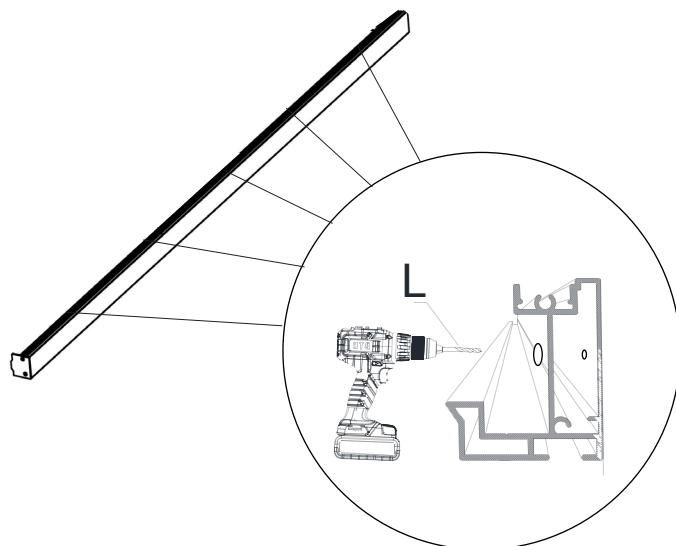
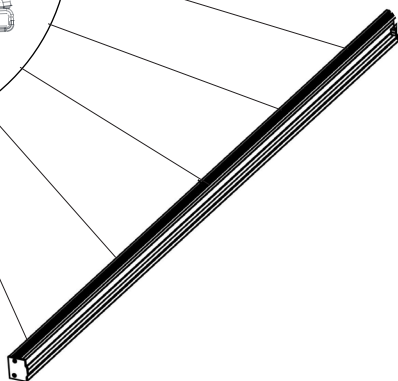
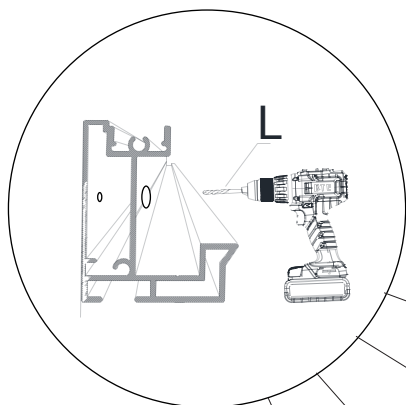
INTERNAL INSTALLATION

- 2** For internal installation, drill through the pre-drilled holes using the supplied drill bit. Make sure you are drilling the correct holes for internal installation, as shown in the illustration.



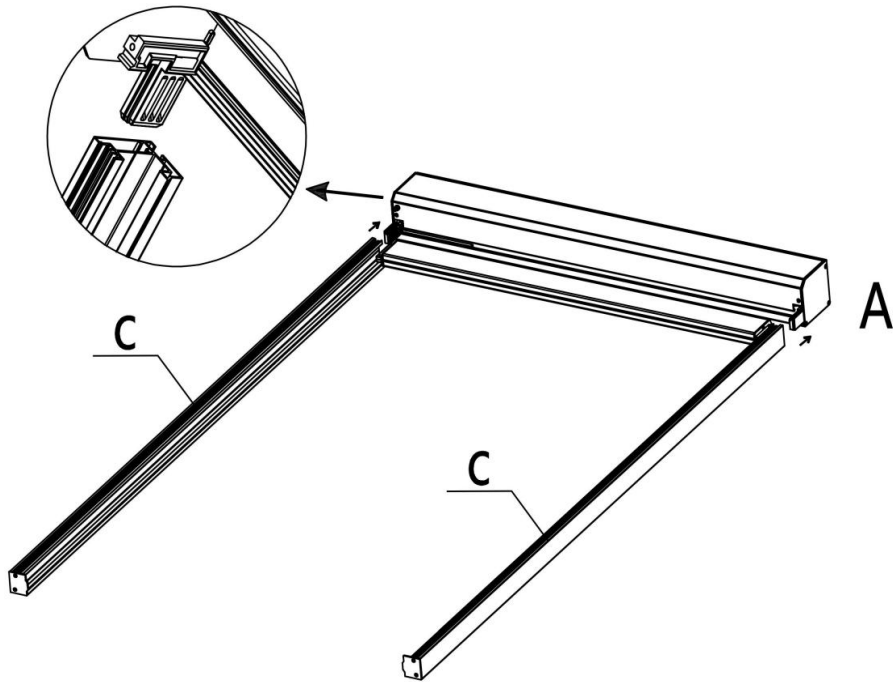
!
IMPORTANT!
Clean the rail housing of metal debris after drilling to prevent damage to the guide rail or the zip fabric.

The inner hole is 5 mm and the outer hole is 10 mm.



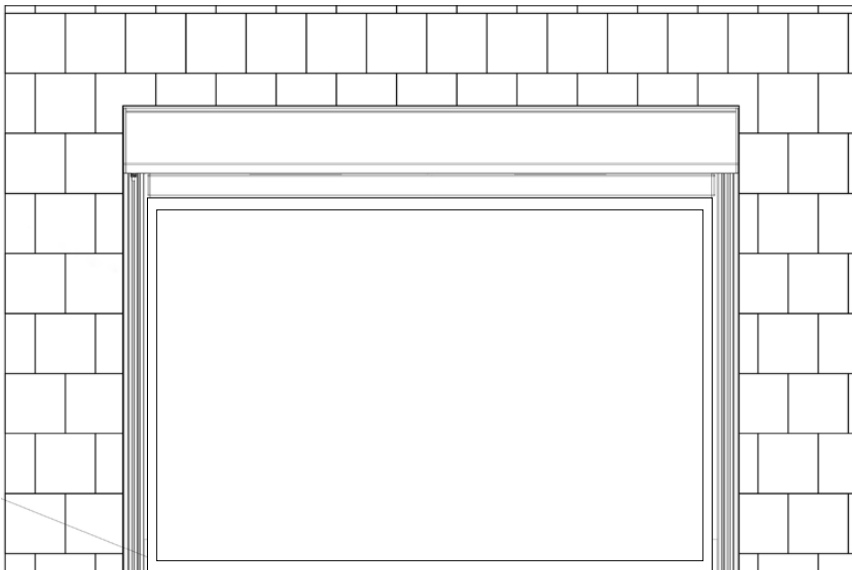
INTERNAL INSTALLATION

- 3** Install the zip motor (A) by guiding the locating pins of the zip motor into the rail housings (C) on both sides.



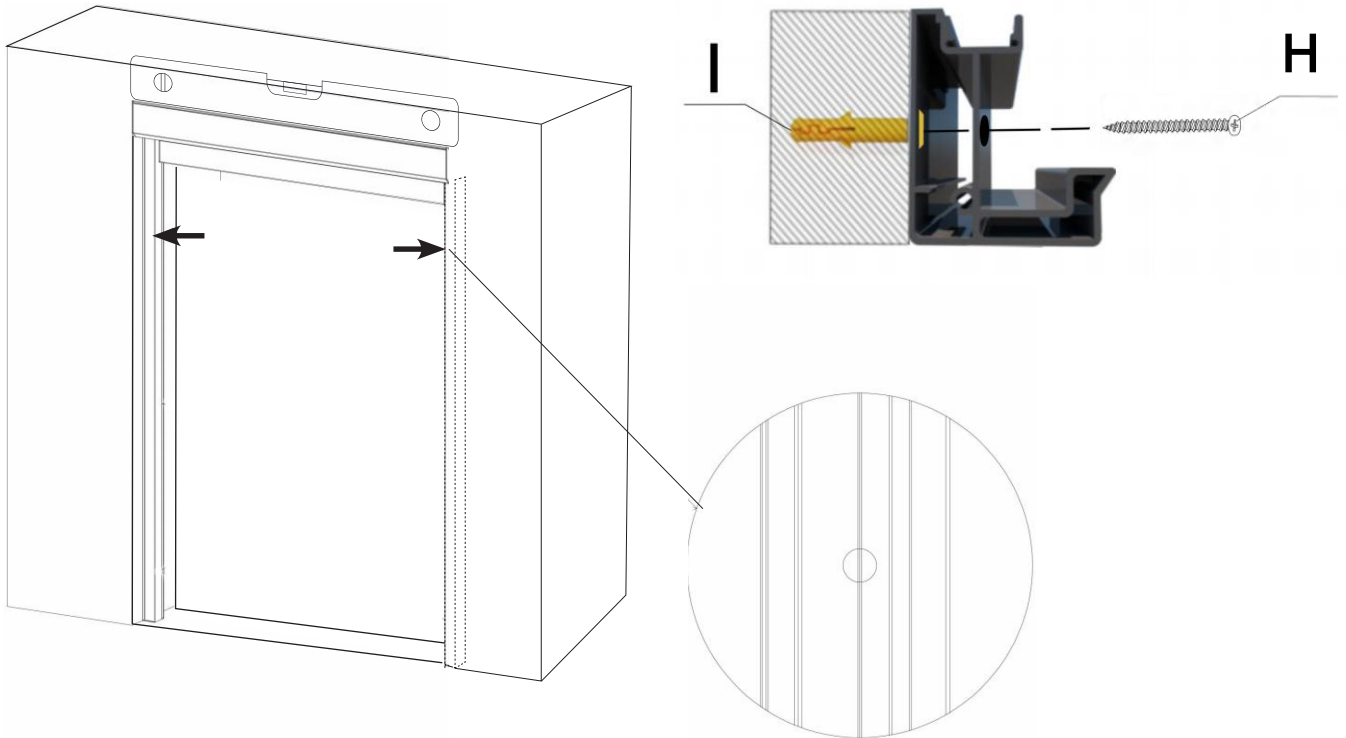
- 4** Lift the rail housings together with the zip motor to the correct position. Always lift them at the same time to prevent damage. Hold both the zip motor and rail housings firmly for better control while lifting.

NOTE: This step requires two persons.

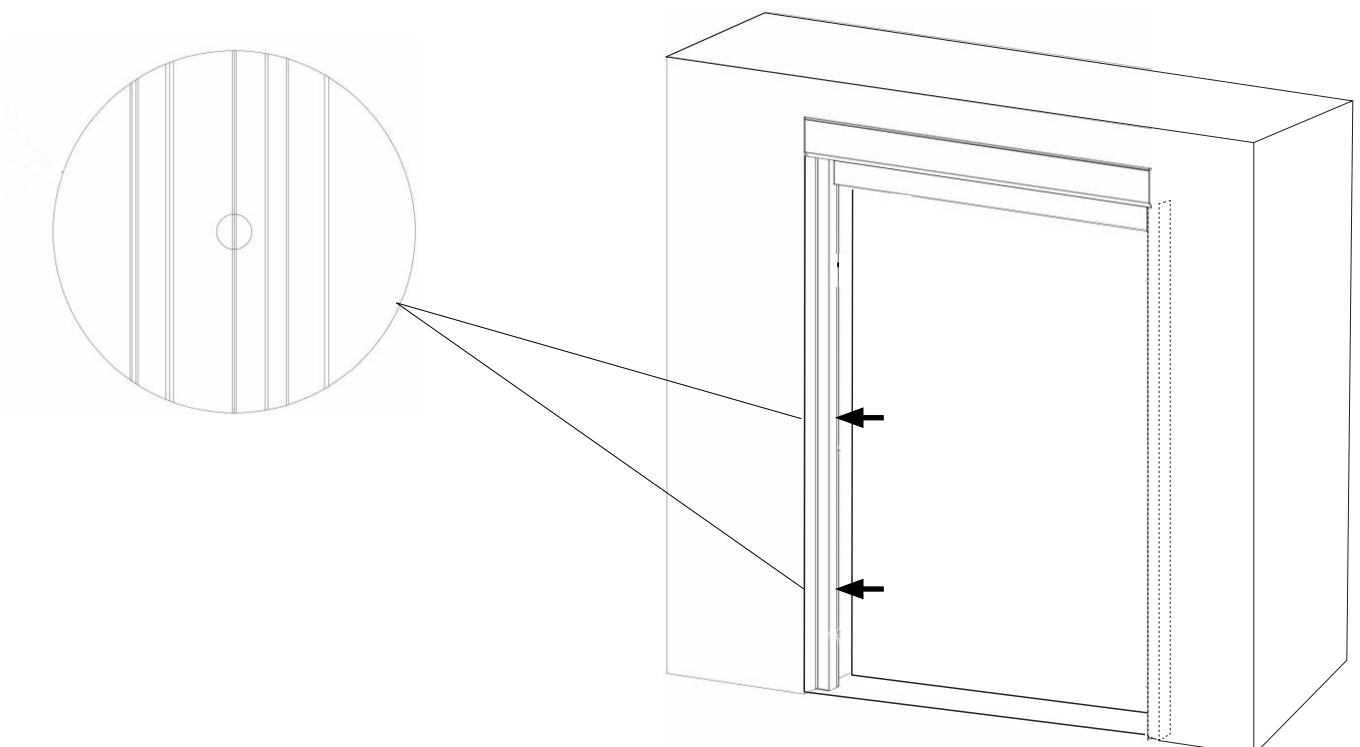


INTERNAL INSTALLATION

- 5** Ensure the zip motor is level and positioned at the same depth from the window or wall. Then, secure the top screw on each rail housing.



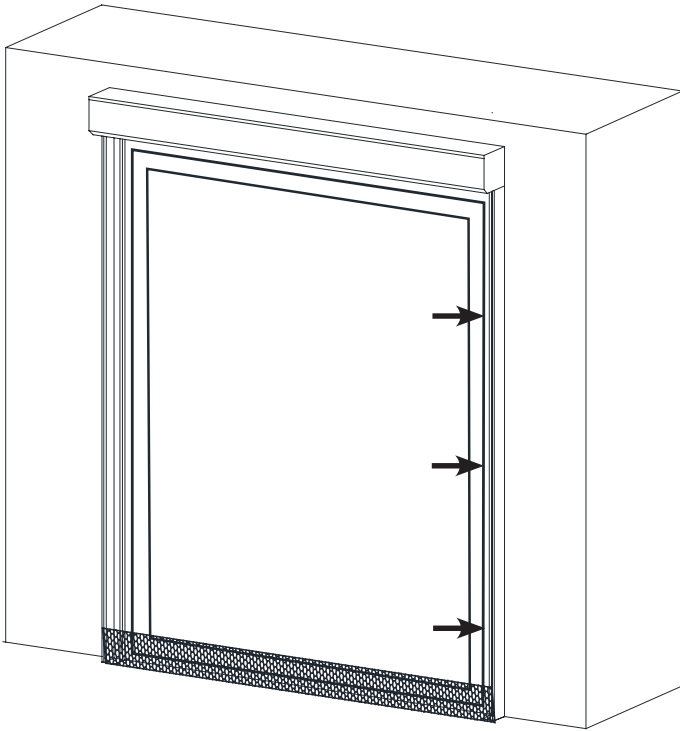
- 6** Align the rail housing vertically on one side and secure it at all mounting points.



INTERNAL INSTALLATION

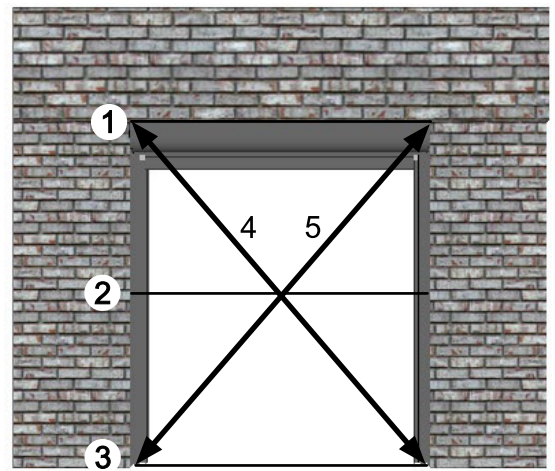
7 Align the other rail housing vertically, using the supplied spacer template (K) to set the correct spacing. Check the diagonals from top to bottom on both sides before securing the rail housing.

Warning: If the rail housings are not vertical and evenly spaced, the fabric may get stuck or move unevenly. Adjust the rails before finishing the installation to prevent damage to the motor, rails, or fabric.

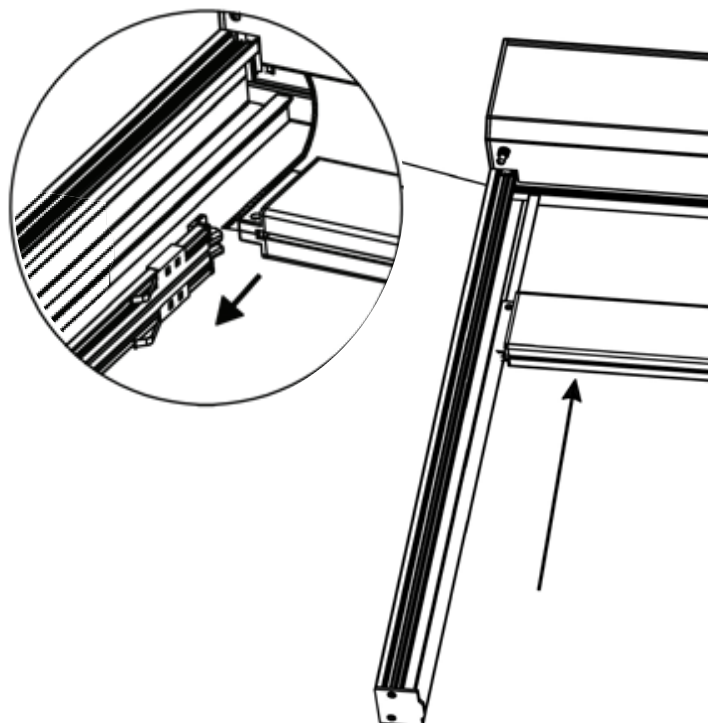


Check that the dimensions of 1, 2, and 3 are consistent. Check that the dimensions of 4 and 5 are consistent.

! The difference must not exceed 3 mm.



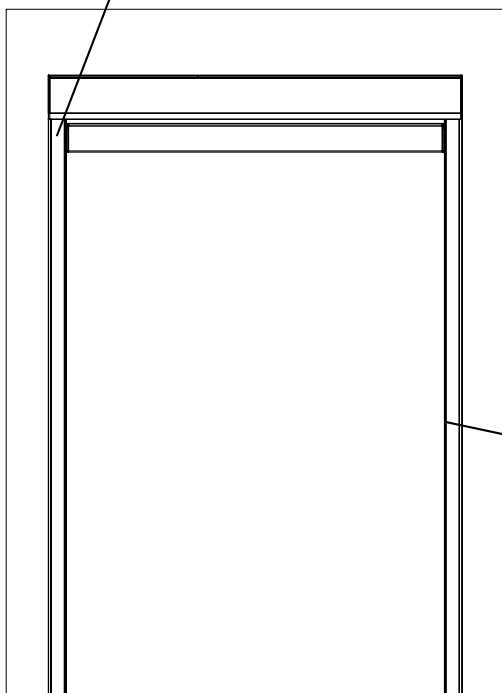
8 Insert the guide rail (E) by angling it in at the top. Ensure that the guide rail is positioned with the metal end at the top, toward the screen fabric. Slide the screen into the groove and place the guide rail into the rail housing. Repeat this process on both sides.



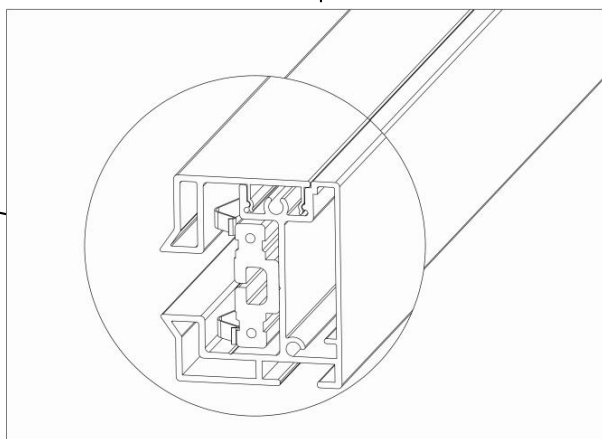
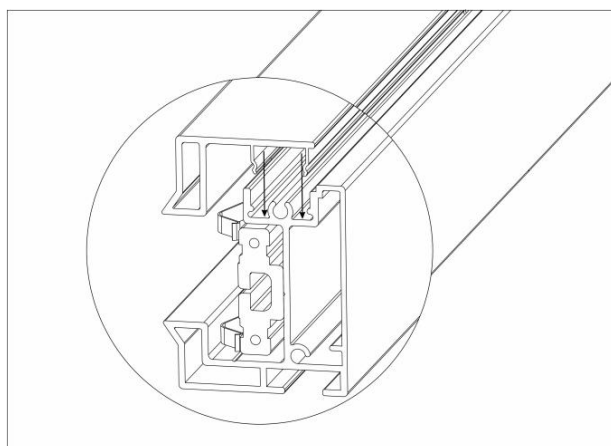
INTERNAL INSTALLATION

- 9** Position the top end of the rail cover (D) first and snap it onto the rail housing.

! Start by adjusting the top end, then place the cover in its designated position.



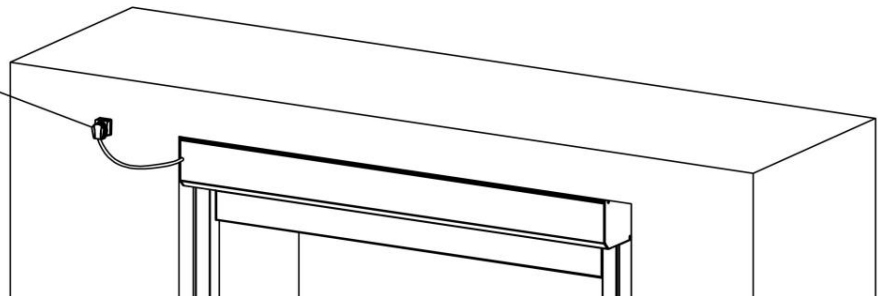
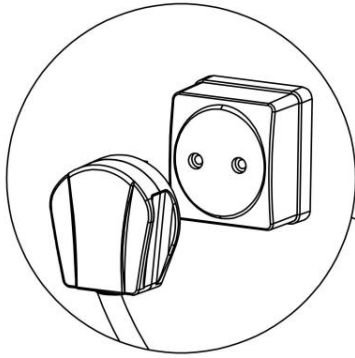
Ensure the rail cover is mounted as illustrated in the figure below.



Push the rail cover (D) into place so that it fits into the groove.

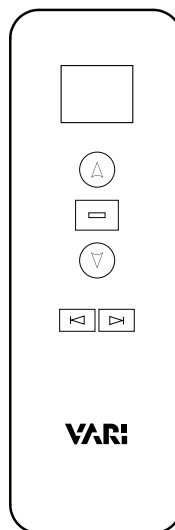
INTERNAL INSTALLATION

10 Insert the power cord into the socket.



If needed, the cord can be shortened for direct connection to a junction box. **This work must only be performed by a qualified electrician.**

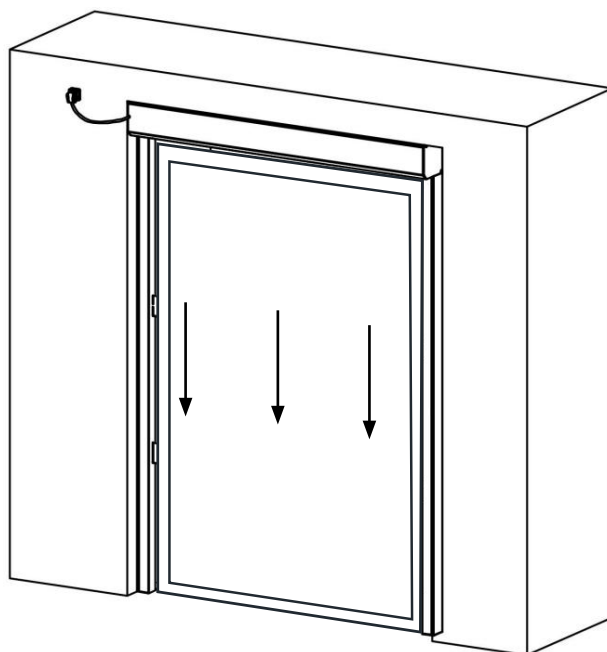
11 To connect and pair the remote control, see page 30.
Use only an approved VARI remote control (sold separately).



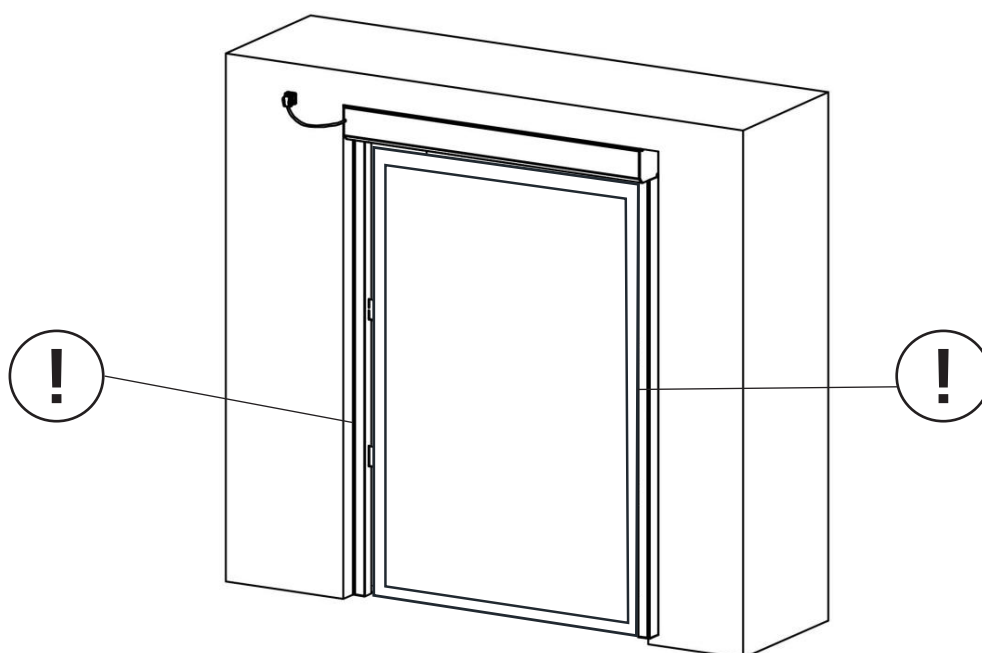
INTERNAL INSTALLATION

12

Once the remote control is connected, operate the zip screen to check that the screen fabric moves evenly and without any resistance.

**13**

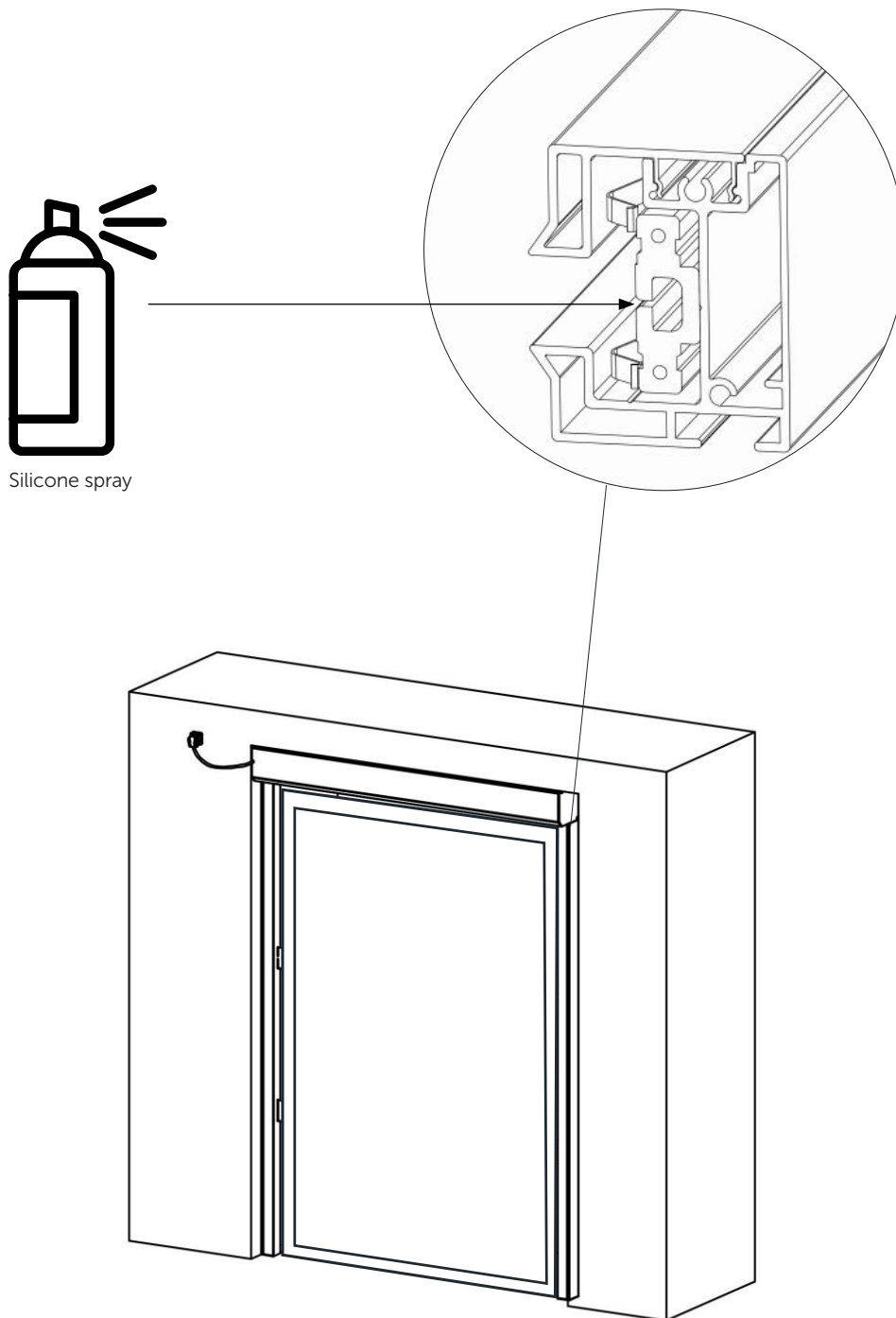
If the fabric gets stuck on the sides, or moves unevenly, adjust the rails and installation accordingly.



INTERNAL INSTALLATION

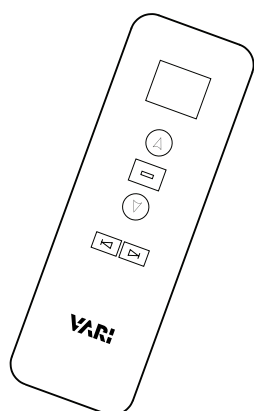
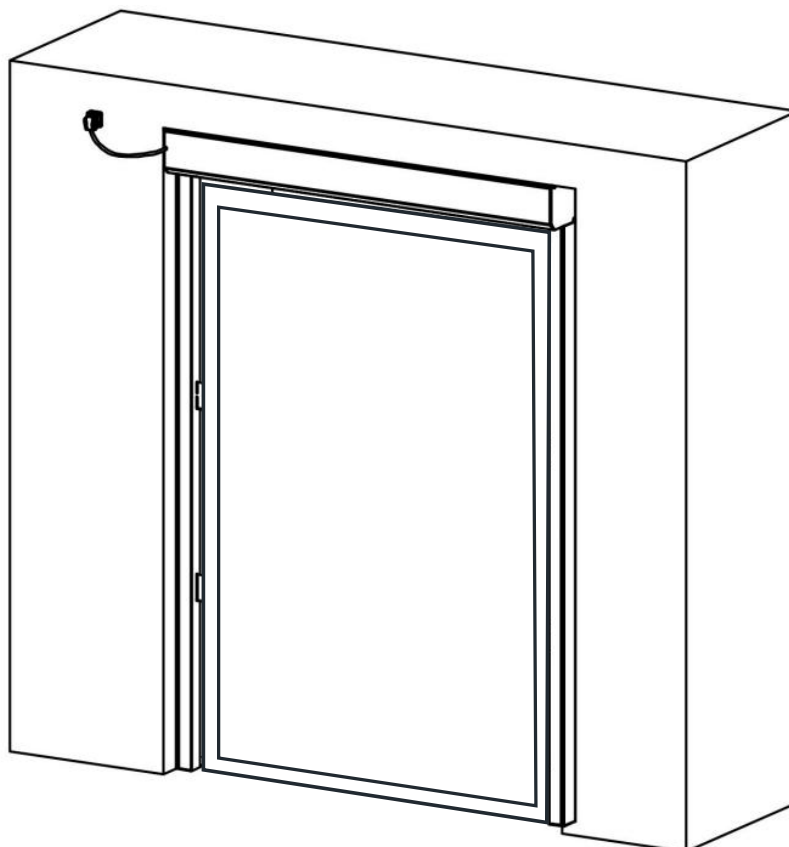
14

Before operating the zip screen, apply silicone spray or other suitable lubricant to the fabric glide track in each guide rail. Depending on weather conditions, repeat this 2–4 times per year.



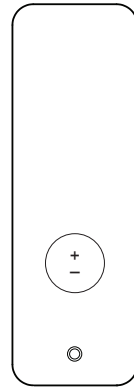
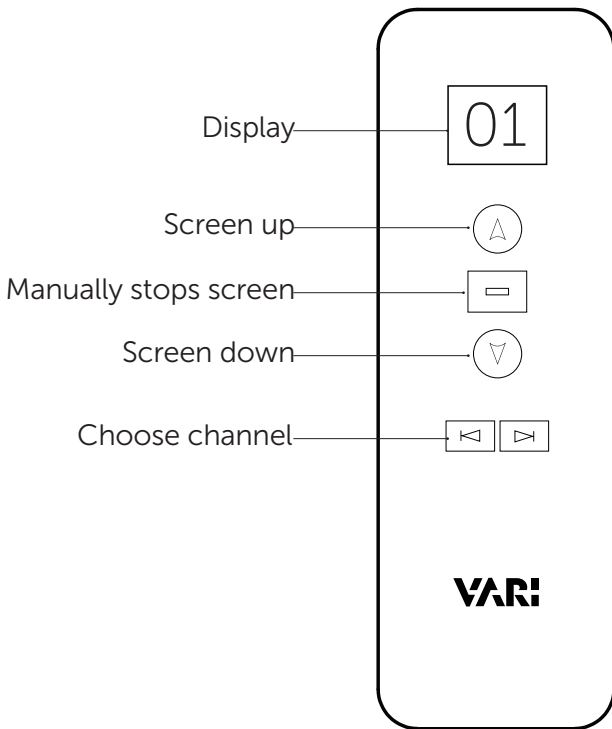
INTERNAL INSTALLATION

Your zip screen is now installed and ready to operate.

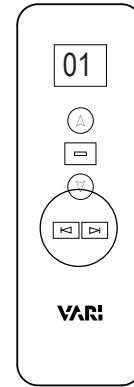


REMOTE CONTROL

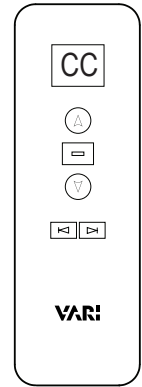
- The remote control is supplied with a battery (1 × CR2430) included.
- If the remote control does not function, replace the battery.
- The remote control can control up to 16 units (01–16).
- The CC channel is the main channel that controls all units simultaneously.



The remote control is supplied with a battery (1 × CR2430) included. If it does not work, replace the battery. Open the cover on the back and insert a new battery.



Select a channel using the arrow keys to the right or left (01–16).

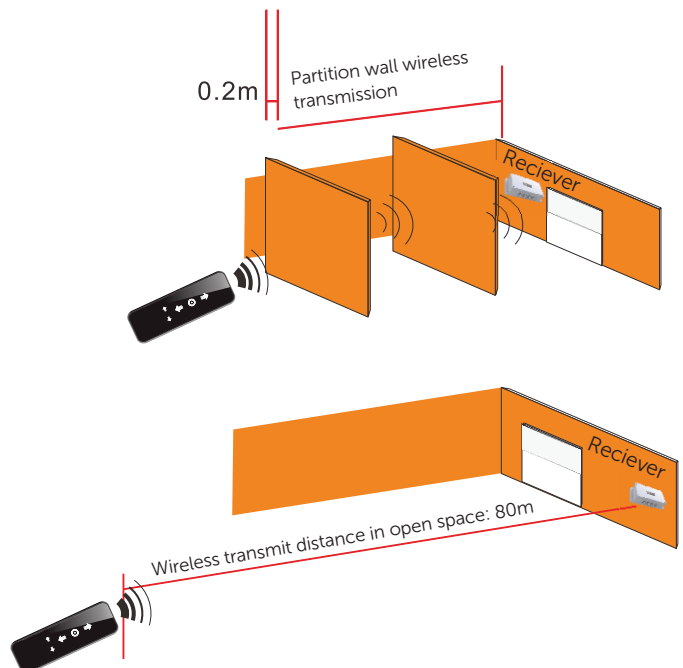
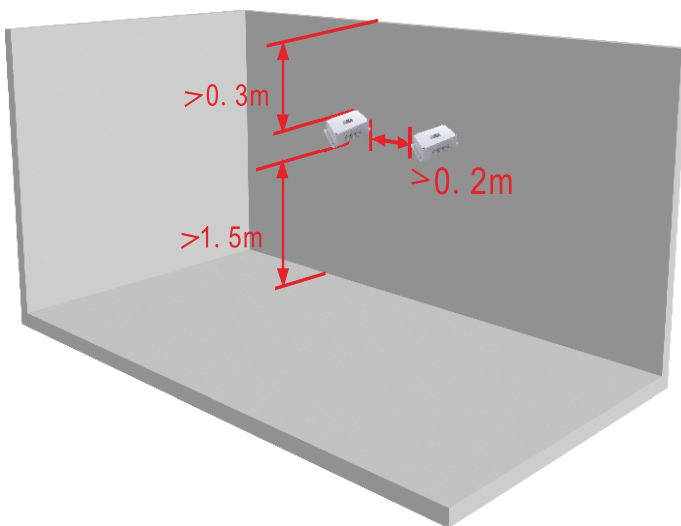


The CC channel is the main channel that controls all units simultaneously.

CAUTIONS!

Please observe the following regulations while complying with the effective electricity standards:

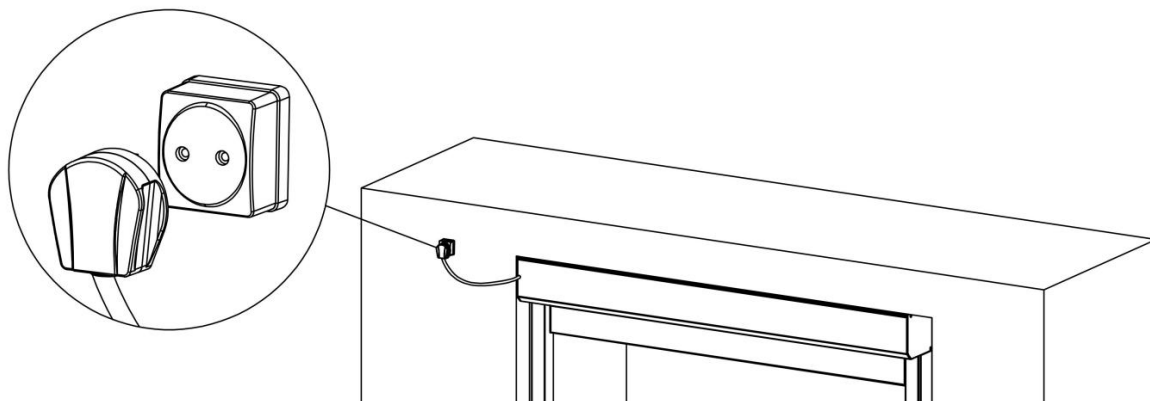
- Transmit range: Up to 80 m in open areas. Walls or other objects may reduce the signal range.
- Avoid static interference, which may damage the electronic components.



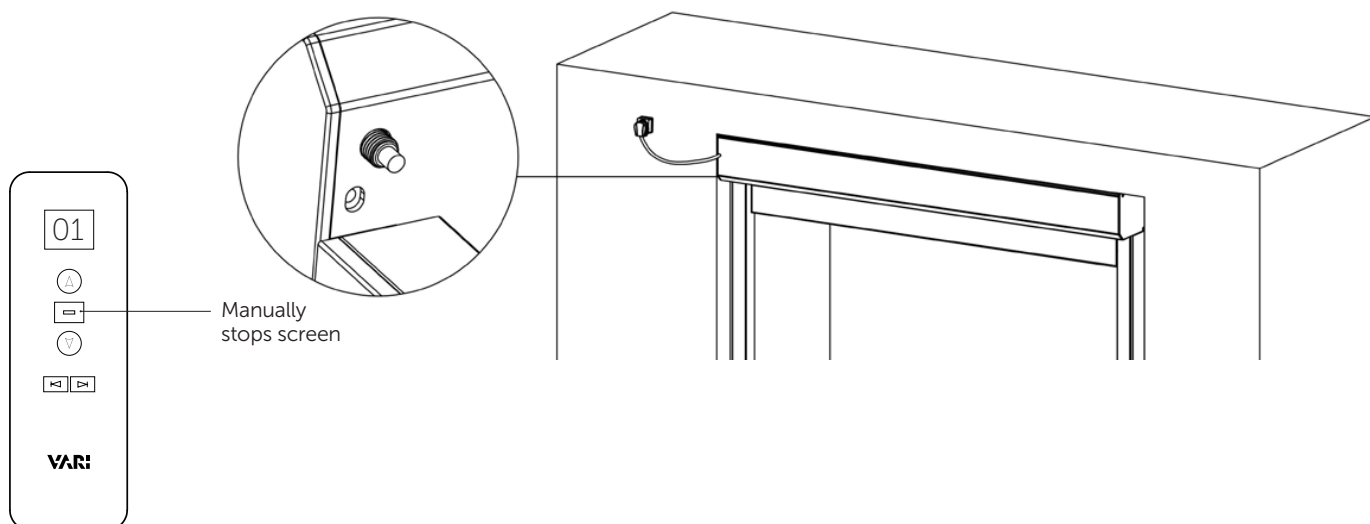
REMOTE CONTROL

PAIRING

- 1** Connect the power by plugging the zip motor into a socket, or by connecting the cable directly to a junction box (use a certified electrician for direct connection).



- 2** Select the channel you want to program on the remote control, e.g., 01. When entered the right channel, press and hold *Manually stop button* on remote control and at the same time press and hold the switch on the zip motor for 3 seconds. The front bar with the fabric will then move slightly up and down. Release the switch when the movement is complete.



To connect multiple zip screens to the same remote control, repeat the procedure above. Remember to select a new channel for each unit. You can add up to 16 units to a single remote control.

- 3** Make sure the remote control is set to channel 01, then press the up button on the remote. The screen will move slightly up and down to confirm successful pairing. Operate the screen up and down to ensure the correct direction. To change the direction, read page 34.

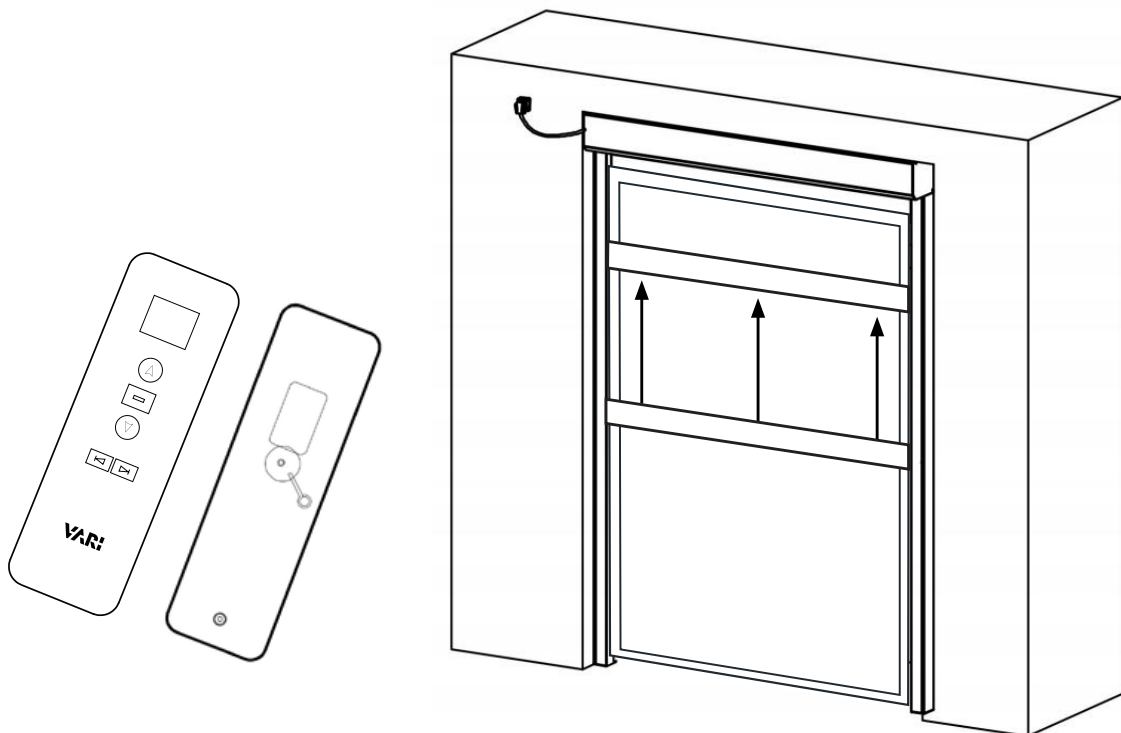
REMOTE CONTROL

HEIGHT ADJUSTMENT – UPPER AND LOWER LEVELS

All zip motors are factory-tested, so on first use the fabric stops 50 cm from the bottom. Adjust the height to set it to your desired length.

4 HEIGHT ADJUSTMENT – TOP POSITION

Run the screen fully up until it stops automatically. Use the supplied tool to press the reset button on the back of the remote control (see illustration). The screen will move slightly up and down once when it is in adjustment mode.



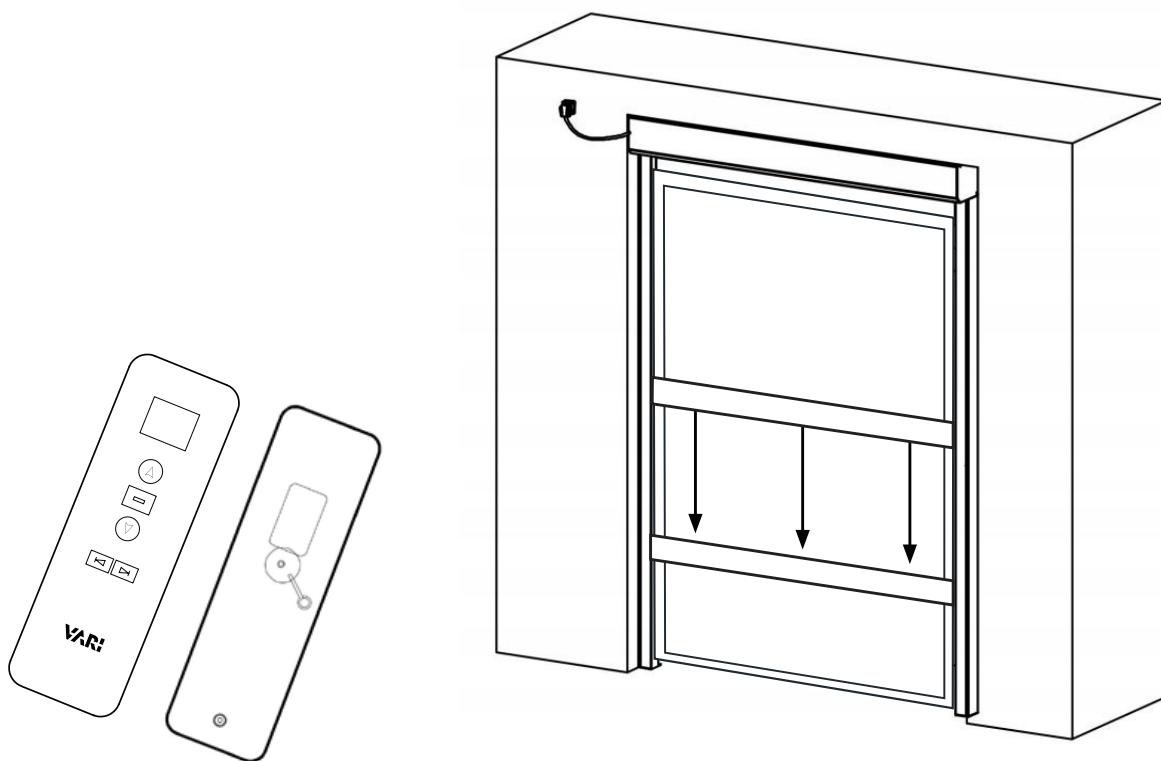
Use the arrow keys to adjust the top position to the desired height. Then press the reset button on the back of the remote control to lock the top point. Move the screen slightly down and up to check that it stops at the desired position. If it does not, repeat the procedure and readjust the top point.

REMOTE CONTROL

HEIGHT ADJUSTMENT – UPPER AND LOWER LEVELS

5 HEIGHT ADJUSTMENT – LOWER POSITION

Run the screen all the way down until it stops automatically. Use the supplied tool to press the reset button on the back of the remote control (see illustration). The screen will move slightly up and down to confirm adjustment mode. Then run the screen down to the desired bottom position and press the reset button again to lock the position.



Move the screen slightly down and up to check that it stops at the desired position. If it does not, repeat the procedure and readjust the top point to lock the position.

INSTALLATION OF THE REMOTE CONTROL IS NOW COMPLETE

REMOTE CONTROL

OTHER SETTINGS

Adjusting the screen roller direction

If the fabric moves in the opposite direction than desired, it can be reversed as follows:

1. Select the correct channel on the remote control for the zip motor you want to adjust.
2. Press and hold the button on the zip motor for 3 seconds. The fabric will move slightly up and down once.
3. Release the button on the zip motor when the fabric has moved. The unit is now in adjustment mode.
4. Press the down arrow on the remote control. The fabric will now move up and down once. The roller direction of the fabric is now reversed.
5. Test the fabric movement and verify the desired result.

Delete unit from a channel

1. Select the channel number you want to delete on the remote control.
2. Press and hold the button on the zip motor for 3 seconds until the fabric moves up and down. Release the button when the movement is complete – the unit is now in pairing mode.
3. Use the supplied tool to press the reset button on the back of the remote control.

The unit is now deleted from that channel.

Reset to factory settings

Resetting to factory settings will erase all programming, including connected remote controls and the upper and lower fabric height settings.

1. Press and hold the button on the zip motor for 10 seconds. The motor will vibrate three times, and the fabric will move up and down twice.
2. Release the button – the motor is now reset to factory settings.

Note: You must re-pair the remote control and adjust the fabric after a factory reset to use the zip motor again.

REMOTE CONTROL

OVERVIEW OF INSTALLED ZIP SCREENS

Row	Zip screen placement	Channel	Serial number zip motor
1			
2			
3			
4			
5			
6			
7			
8			
9			
10			
11			
12			
13			
14			
15			
16			

MAINTENANCE

- Aluminium requires less maintenance but can corrode over time in humid or salty environments.
- Be aware that although aluminium is durable, it does not withstand everything. Aluminium cannot be bent repeatedly, and corrosion may occur when it is exposed to salts, saltwater, or metals of different alloys.
- Aluminium is naturally corrosion-resistant, but corrosion can occur if it is left exposed.
- If the zip screen surface is damaged and the paint is removed, it is recommended to repair the affected area using a touch-up paint pen or a similar product to prevent oxidation. Contact your nearest dealer for a suitable product.
- Check that no parts are broken or cracked.
- Clean the guide rails with compressed air to remove dust, dirt, and other deposits that may affect function.
- After cleaning, lubricate the guide rails with silicone spray or a similar product.

SITE-SPECIFIC MAINTENANCE

To preserve the product and maintain its technical properties, it is recommended to perform the following maintenance based on the location of the zip screen:

- **Inland/dry environment:** Clean and inspect at least every 6 months.
- **Coastal environment:** Clean and inspect every 3 months.
- **Industrial environment:** Clean and inspect every 3 months.
- **Swimming pools and recreational pools:** Clean and inspect every 3 months.

CLEANING

- When cleaning windows, façades, or the exterior zip screen, the power supply must be covered.
- During façade cleaning, cover the zip motor, rails, and fabric.
- The fabric should be fully retracted into the motor cassette.
- If cleaning agents—such as house wash, power washer sprays, or other chemicals—come into contact with the motor cassette, rails, or fabric, rinse the affected areas immediately with water to prevent damage.
- Do not place weight on any parts of the zip screen. Do not lean a ladder or similar objects against any part of the zip screen.
- After cleaning: Check that the product operates correctly.

NEVER USE:

- High-pressure washers
- Alkali-based or aggressive solvents
- Steel wool, hard brushes, or abrasives

MAINTENANCE

Care and maintenance of zip motor and rails

Follow these steps when cleaning the motor cassette and rails:

1. Fully retract the fabric into the motor cassette.
2. Use mild soapy water for cleaning. Apply the soapy water with a soft sponge or microfibre cloth. For stubborn stains, such as bird droppings, use plenty of water and gently clean with a soft sponge.

Note: The soap must be ammonia-free, and no strong chemicals should be used.

3. Rinse the motor cassette and rails with a garden hose. Do not use a high-pressure washer.
4. Do not spray water along the fabric into the motor cassette, as this may damage the motor.

Maintaining the fabric/screen

Follow these steps when cleaning the zip screen fabric:

1. Run the fabric to its full length.
2. Rinse or wipe off loose dust, pollen, and insects using a garden hose with **low water pressure**. Do not spray water along the fabric into the motor cassette, as this may damage the motor.
3. Use mild soapy water for cleaning. Apply with a soft sponge or microfibre cloth. For stubborn stains, such as bird droppings, use plenty of water and gently clean with a soft sponge.

Note: The soap must be ammonia-free. Do not use strong chemicals.

4. Rinse or wipe off any remaining soap and debris with a garden hose at **low pressure**. Again, avoid spraying water into the motor cassette.
5. Allow the fabric to dry completely before retracting it into the motor cassette. Retracting wet fabric and leaving it stored for extended periods may cause stains or mold.
6. Ensure the fabric is completely dry before retracting it.
7. Lubricate the guide rails with silicone spray or a similar product regularly.

Tip: Apply polish to the painted parts after each wash to help preserve the finish.



WARRANTY CLAIM

This product is covered by a warranty in accordance with consumer legislation. It has undergone strict quality controls and testing at the factory. If there are any parts missing or the product has been damaged, please contact your dealer or the consumer contact below for help.

In the event of damage to the product, please include photos of the damage to both the product and its packaging with the complaint.

Faults due to misuse, lack of maintenance or modification of the product will invalidate the warranty.

Damaged parts not due to a fault with the product will be invoiced according to our price list + carriage and administration fee.

If new parts are needed or in the event of a warranty claim, please contact your dealer or consumer contact:

Nordic Season Products AS

Kjeller Vest 3, 2007 Kjeller, Norway

E-mail: support@nordicseason.no

Ph.: 0047 924 78 600 (09–15 Mon–Fri)