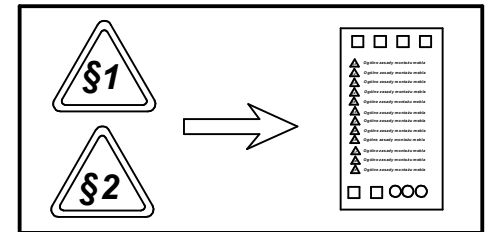
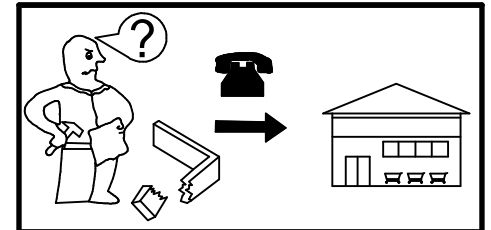
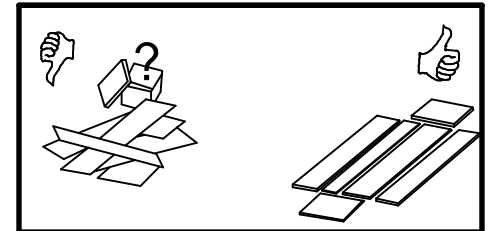
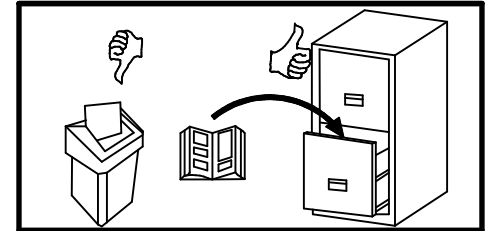
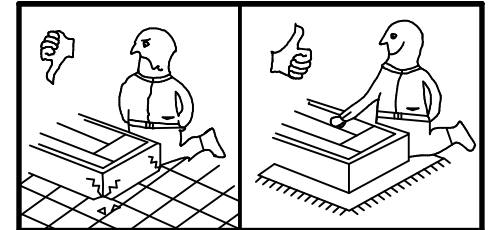
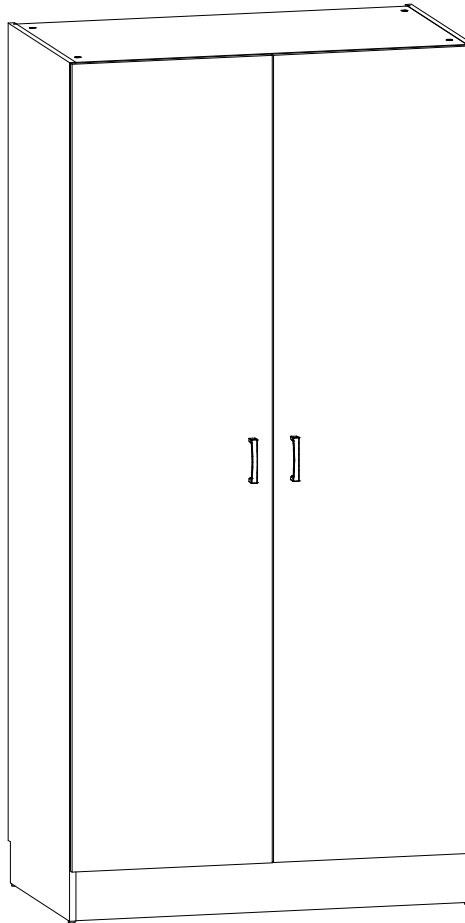
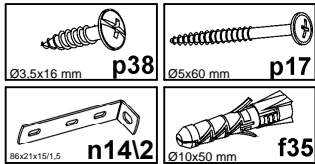
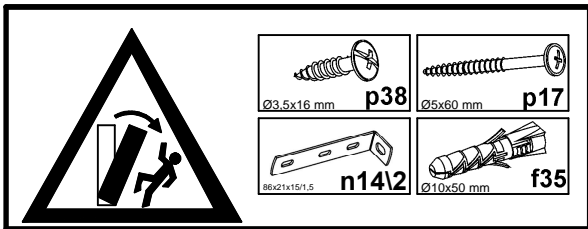
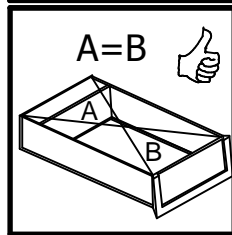
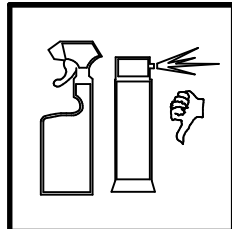
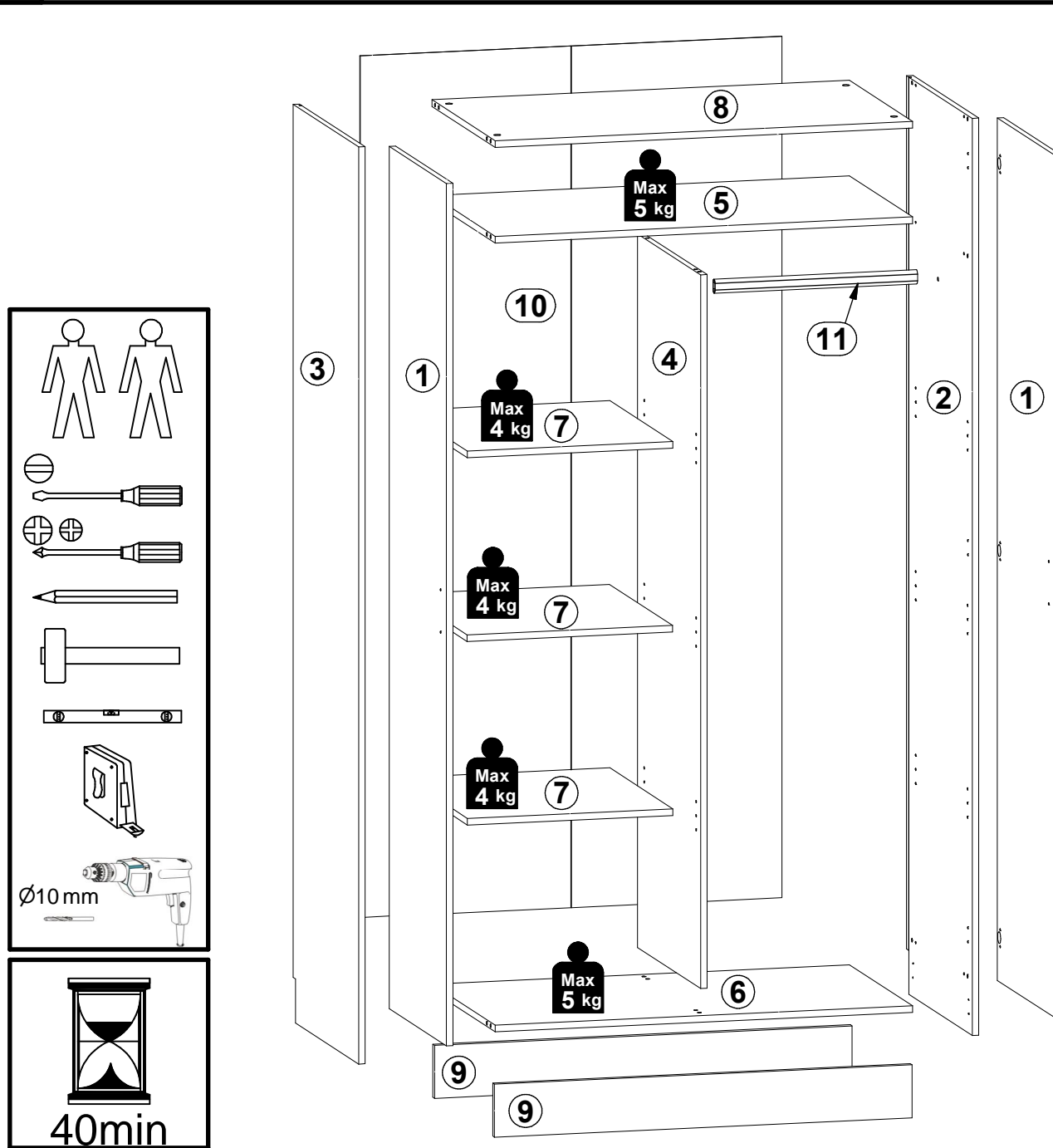


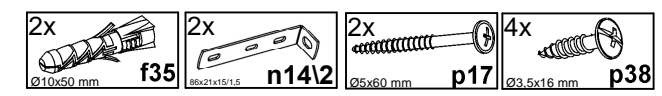
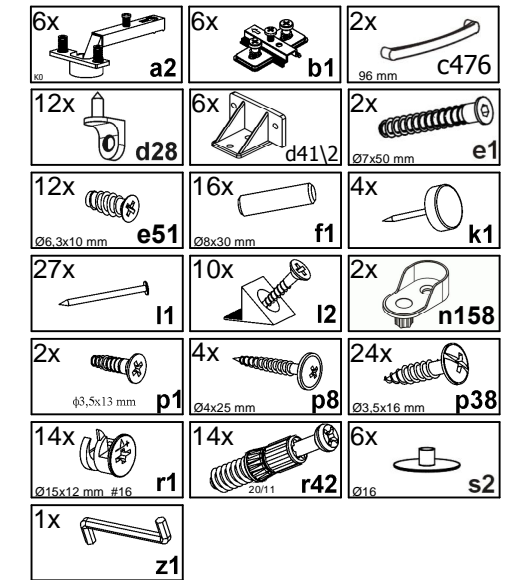
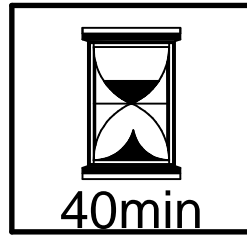
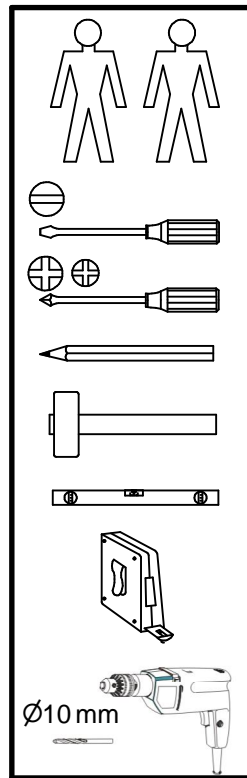
# SNAPWALL

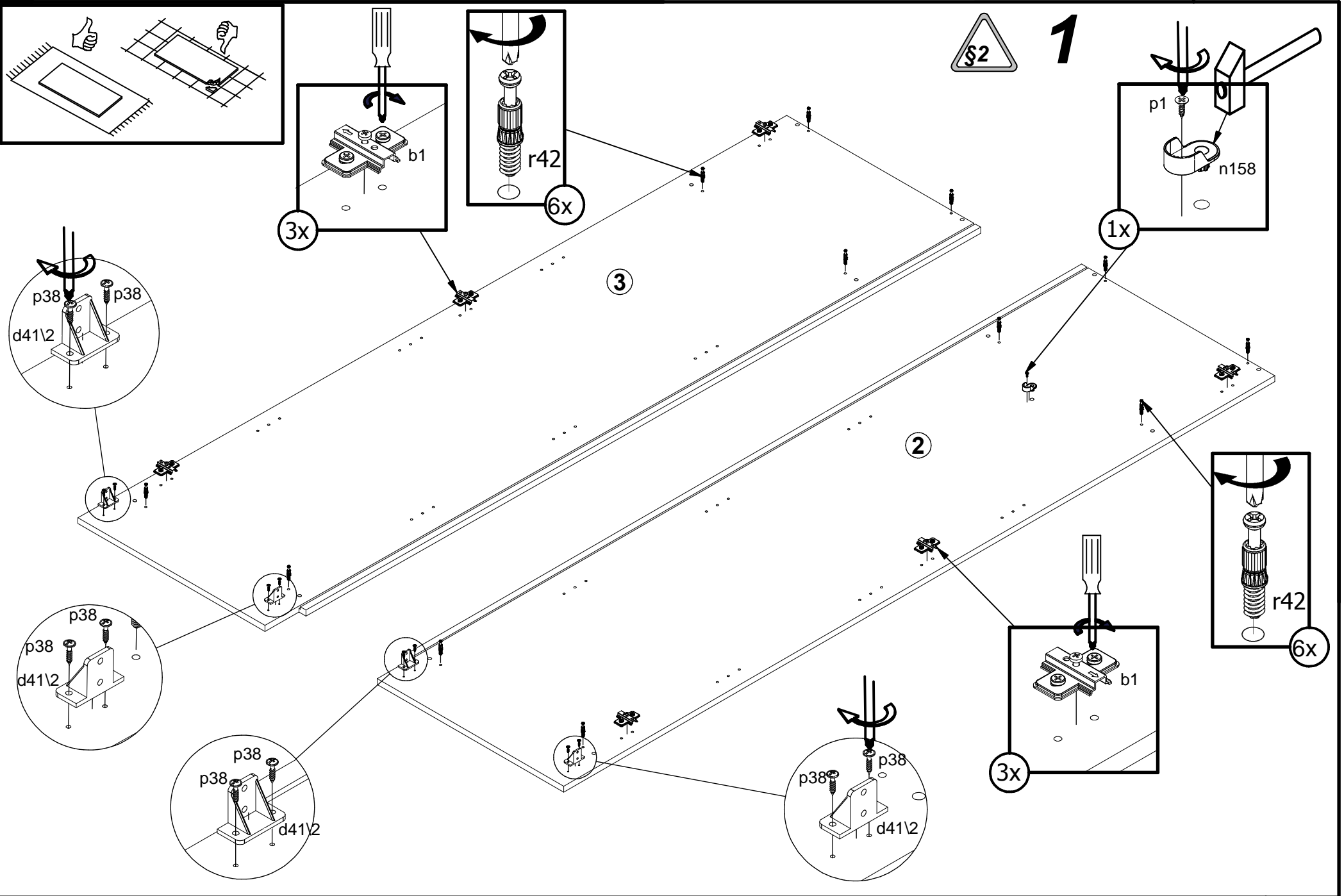
FOR SURFACE LOVERS



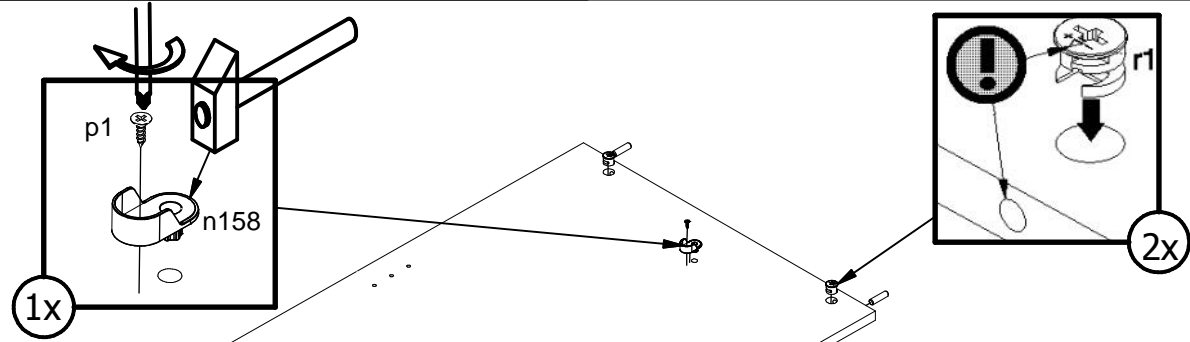


A	B	C1	C2	C3	D
1	F58-0001	1954	494,	15	3/3
2	F58-1002A	2078	565	15	2/3
3	F58-1003A	2078	565	15	2/3
4	F58-1004A	1617	545	15	2/3
5	F58-3003	965	545	15	1/3
6	F58-3004	965	545	15	1/3
7	F58-3005	475	545	15	3/3
8	F58-3006	965	545	15	1/3
9	F58-4002	965	120	15	3/3
10	F58-9301	1952	975	2,5	3/3
11	dr-468x30	468	30	15	1/3





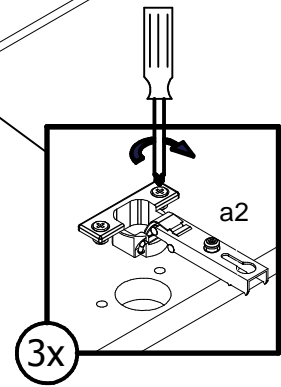
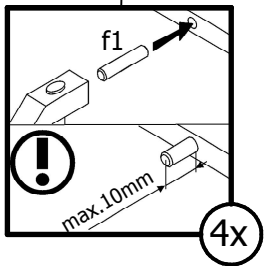
**1**

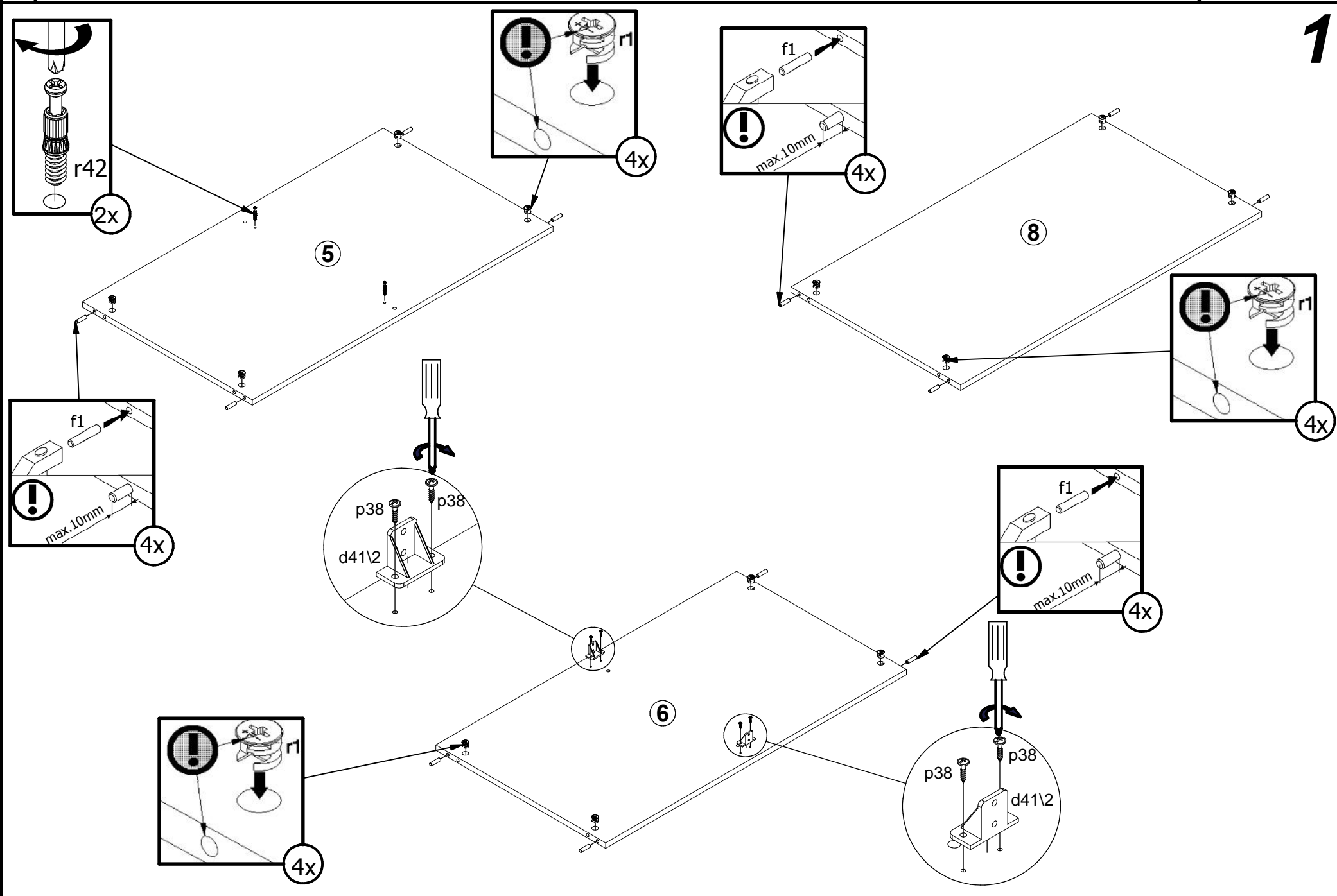


**4**

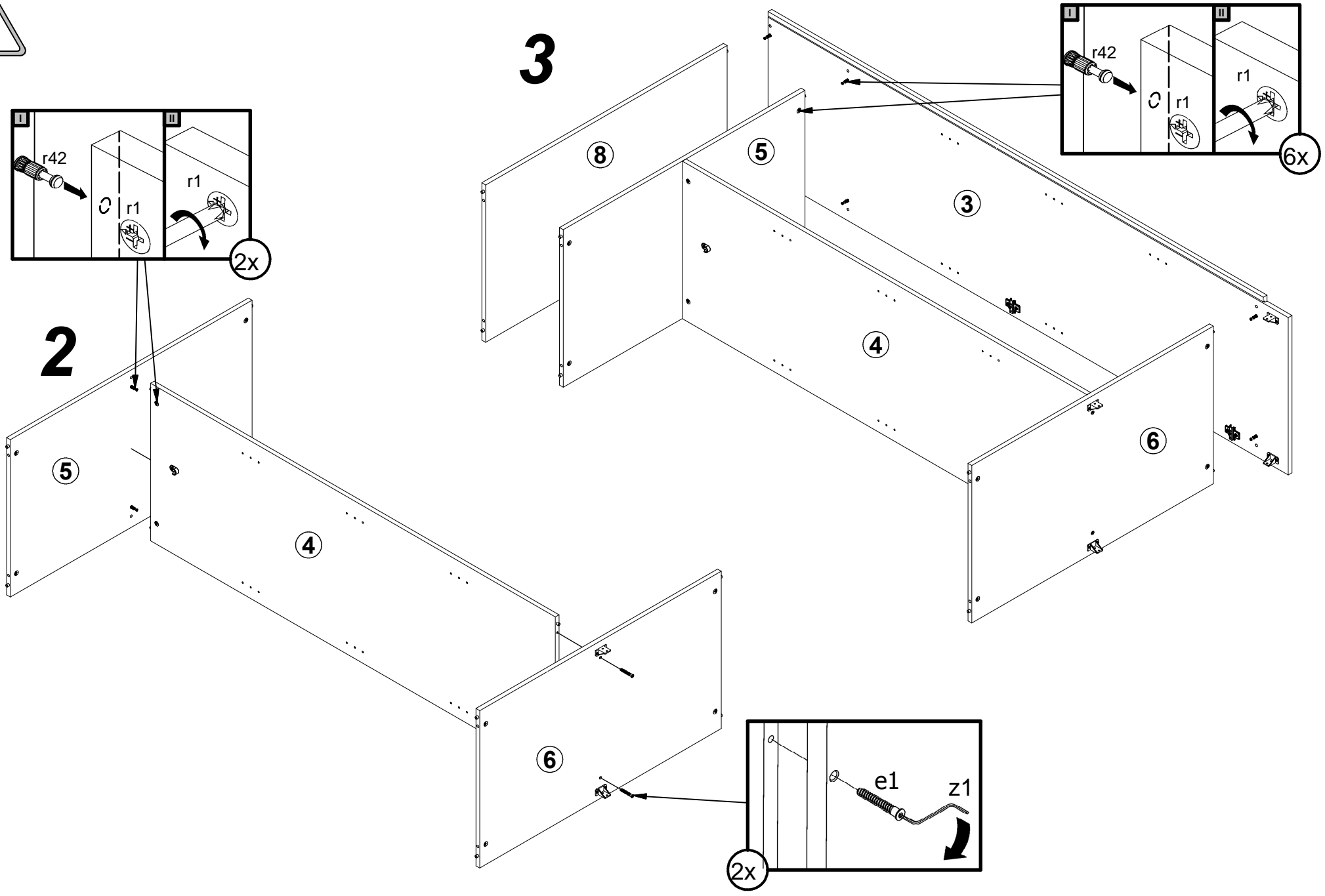
**2x**

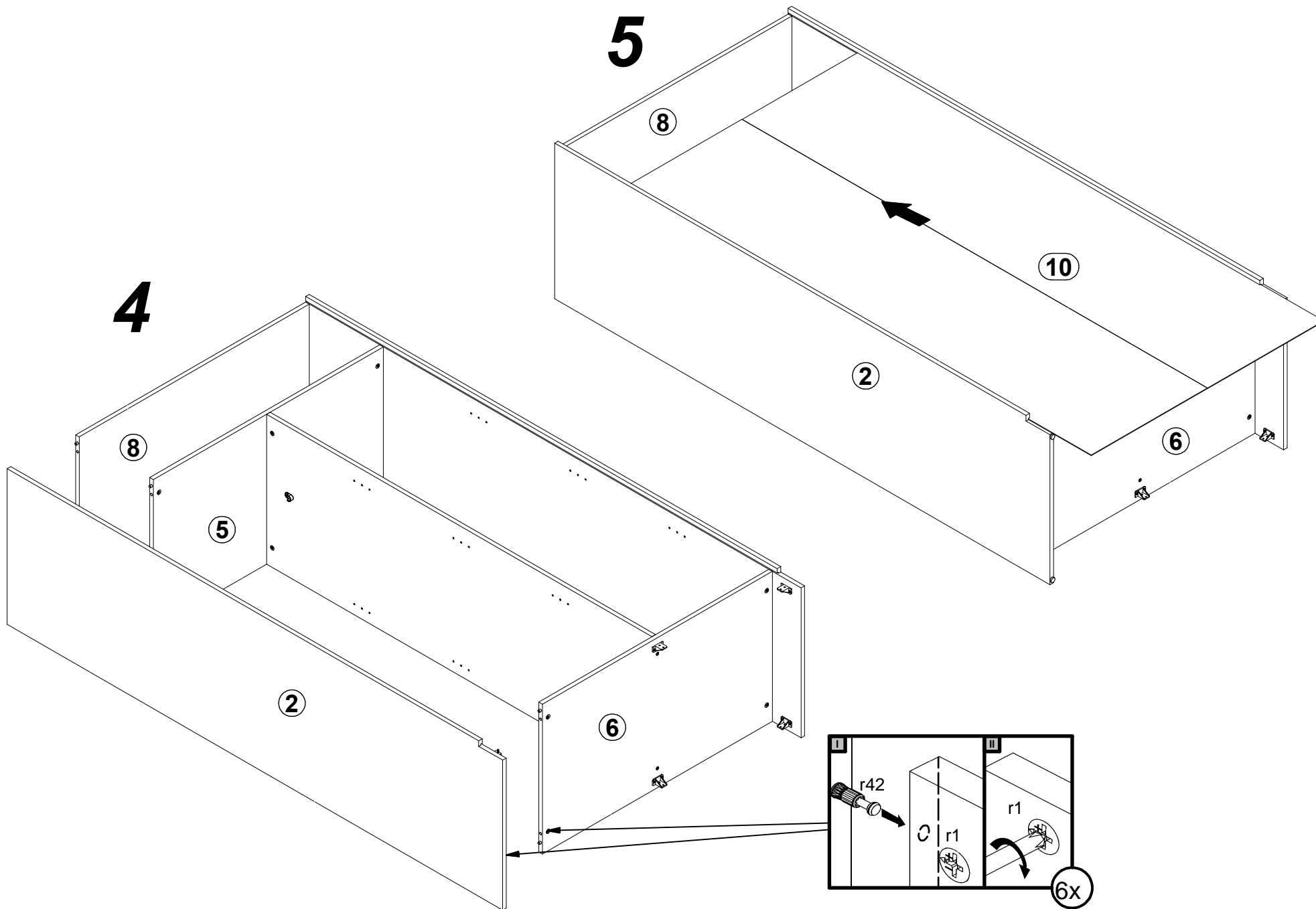
**1**

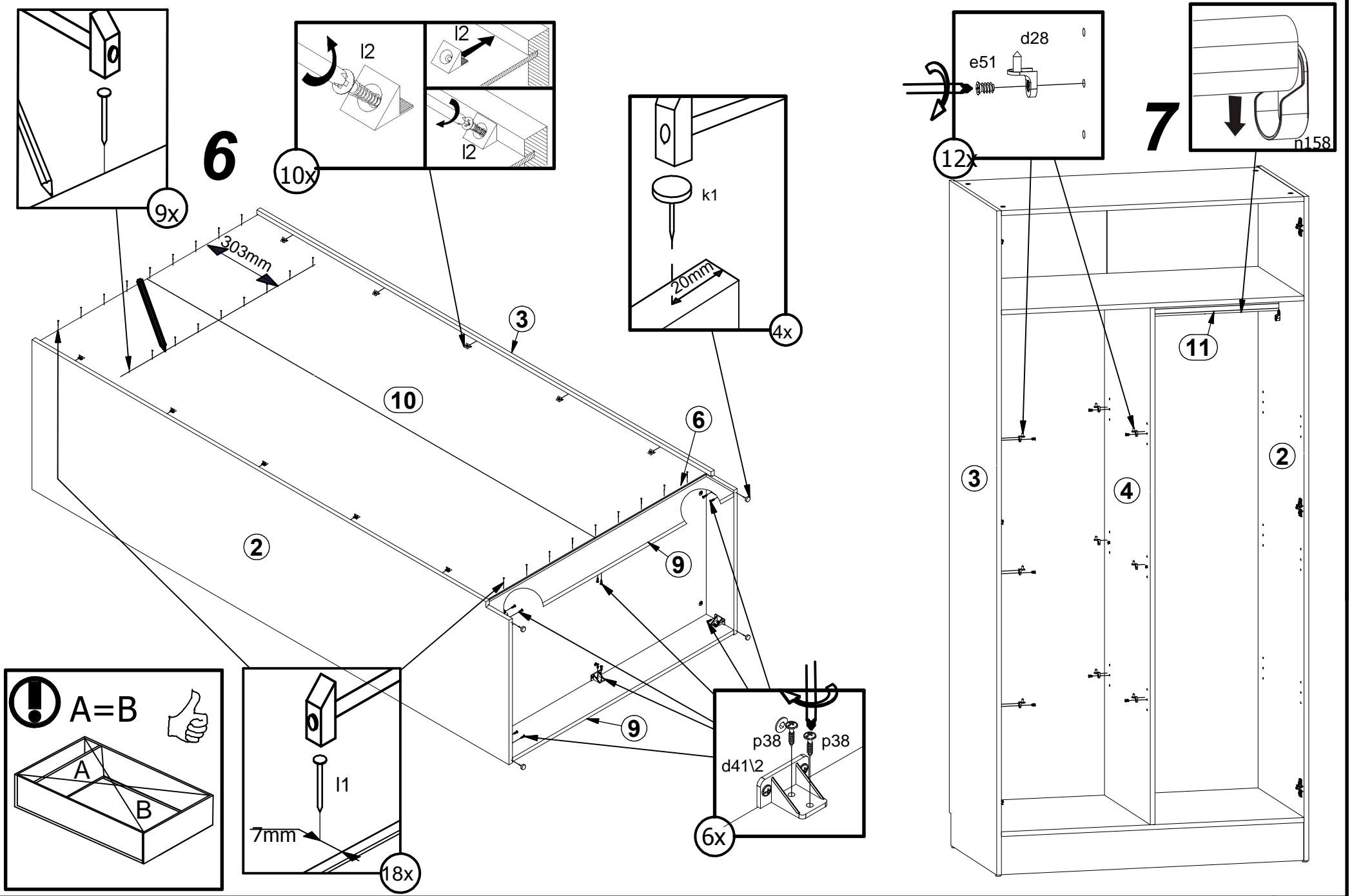




§6









**8**



- 2x f35 Ø10x50 mm
- 2x n14/2 88x21x151,5
- 2x p17 Ø5x60 mm
- 4x p38 Ø3,5x16 mm

